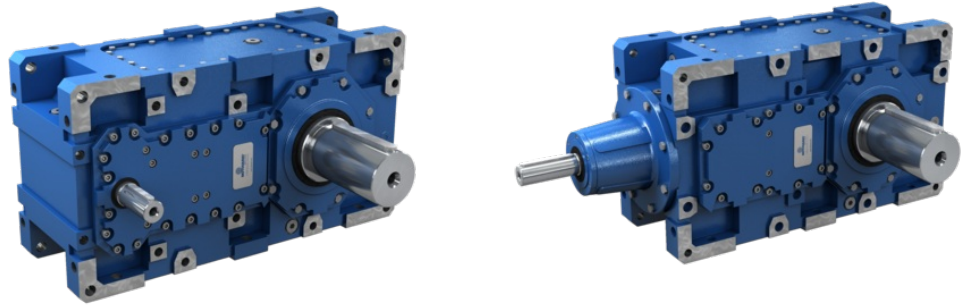


TECHNICAL CATALOGUE



PBZ

MID-HEAVY DUTY GEARBOXES

STANDARD **IEC**

1. GENERAL INFORMATION

1.1	COMPANY PROFILE	4
1.2	PRODUCTS AND SOFTWARE MOTOVARIO	6

2. PRODUCT INFORMATION

2.1	DESIGN FEATURES	9
2.2	TYOLOGY	10
2.2.1	Designation	10
2.2.2	Versions	11
2.2.3	Gear train	12
2.2.4	Available motor mounting flanges	13
2.2.5	Range	15
2.3	MOUNTING POSITIONS	16
2.3.1	Executions	16
2.3.2	Mounting positions	18
2.4	PRODUCT SELECTION	20
2.4.1	Product selection	20
2.5	THERMAL POWER	24
2.5.1	Information	24
2.5.2	Verification	25
2.6	INPUT SPEED	27
2.7	LUBRICATION	28
2.7.1	Information	28
2.7.2	Lubricants	28
2.7.3	Quantity	29
2.8	DIRECTION OF ROTATION	30
2.9	RADIAL/AXIAL LOAD	31
2.9.1	Information	31
2.9.2	Input - Radial load	31
2.9.3	Output - Radial load	31

3. DIMENSIONS PBZ

3.1	REDUCERS/GEARED MOTORS	32
-----	------------------------------	----

3.1.1	P2Z	32
3.1.2	P3Z	34
3.1.3	P4Z	36
3.1.4	B3Z	38
3.1.5	B4Z	40
3.2	WEIGHTS	42
3.3	SHAFT END	43
3.3.1	Input shaft end	43
3.3.2	Output shaft end	44

4. ACCESSORIES AND OPTIONS PBZ

4.1	LOW SPEED SHAFTS	45
4.1.1	Hollow output shaft with keyway	45
4.1.2	Hollow output shaft with shrink disc	46
4.1.3	Splined output shaft	47
4.1.4	Splined hollow shaft	48
4.2	INPUT FLANGES	49
4.2.1	Motor mounting flanges - PZ	49
4.2.2	Motor mounting flanges - BZ	52
4.3	DEVICES	54
4.3.1	Cooling and heating unit	54
4.3.2	Lubrication and monitoring unit	54
4.3.3	Cooling coil	55
4.3.4	Cooling fan	56
4.3.5	Bearings lubrication pump	58
4.3.6	Bearings lubrication motor pump	59
4.3.7	Oil expansion tank	60
4.4	ACCESSORIES	61
4.4.1	Output flange	61
4.4.2	Flange for splined output shaft	62
4.4.3	Backstop device	63
4.4.4	Torque arm	64
4.4.5	Output shaft cover	66
4.4.6	Optional seals	67
4.4.7	Other Accessories and Options	67

5. PERFORMANCES PZ

5.1	PZ GEAR REDUCER - 1750 rpm	68
5.2	PZ GEAR REDUCER - 1400 rpm	74
5.3	PZ GEAR REDUCER - 1140 rpm	80
5.4	PZ GEAR REDUCER - 900 rpm	86
5.5	PZ GEAR REDUCER - 700 rpm	92
5.6	PZ GEAR REDUCER - 500 rpm	98

6. PERFORMANCES BZ

6.1	BZ GEAR REDUCER - 1750 rpm	104
6.2	BZ GEAR REDUCER - 1400 rpm	108
6.3	BZ GEAR REDUCER - 1140 rpm	112
6.4	BZ GEAR REDUCER - 900 rpm	116
6.5	BZ GEAR REDUCER - 700 rpm	120
6.6	BZ GEAR REDUCER - 500 rpm	124

7. INSTALLATION

7.1	INSTALLATION	129
-----	--------------------	-----

8. SYMBOLS AND FORMULAS

8.1	SYMBOLS AND FORMULAS	131
8.1.1	Symbols	131
8.1.2	Formulas	132

9. SALES CONDITIONS

9.1	SALES CONDITIONS	133
-----	------------------------	-----

Motovario® corporate philosophy aims to promote the company's brand and products at an international level with determination and transparency, while constantly striving to offer innovative solutions for satisfying and anticipating the demand of the market. Motovario® provides technologically advanced solutions in the transmission components field for industrial and civil applications worldwide.

The company

At Formigine, the heart of Modena's industrial district, Motovario® boasts a production plant spanning 50,000 m² that employs 500 people.

1965 Foundation of Motovario

1998 Acquisition of Spaggiari Trasmissioni, an important brand in the mechanical technology sector.

2006 Motovario acquisition by a private investment fund managed by Synergo SGR, in order to guarantee its development and support its expansion throughout the world.

2014 Acquisition of Pujol.

2015 Acquisition by TECO.

At the core of Motovario® lies an evolved production process based on technological solutions that convert power into movement. Motovario® is at the heart of the production processes that drive industries worldwide. Quality and reliability are the company's fundamental assets. Motovario® is present throughout the world with branches in France, Spain, Germany, England, China, the United States and India. The sales network and customer service guarantee immediate and high-quality support to all customers. In addition, the company boasts a worldwide network of MAC (Motovario Assembly Centre). Qualified assembly centres are present, in Italy, Australia, Benelux, Bulgaria, China, Finland, France, India, Ireland, Israel, Malaysia, Poland, Portugal, South Korea, Spain, Sweden, Turkey, United Kingdom, Ukraine and USA. The company is able to offer a wide range of products: speed variators, right-angle, helical-bevel, shaft-mounted, worm gear reducers and gearmotors, electric motors, inverter and inverter drives. Maximum quality and precision are ensured by the cutting-edge technologies implemented in the production process. 170 numerical control machines, served by LGV lines for storage in automatic warehouses, ensure a high standard of efficiency for the Motovario® production department.

The highly automated assembly lines are supported by a specific computerised system. The process statistical control system manages the production process to avoid rejects, by enabling the operator to monitor all the processing phases. The annealing, tempering, hardening and carburizing treatments are carried out inside the plant. The plant operates on a 24-hour basis, including holidays. Reliability, resilience and versatility are the distinctive features of Motovario® products, the most qualified solution to any power transmission requirement.

Main fields OF APPLICATIONS

- Mechanical-electromechanical industry (car washing, pumps, barriers & automatic doors, circuit breakers)
- Ceramic industry (ovens, press feeding systems)
- Food, farming, oenology industry
- Wood, marble, glass industry
- Packaging & bottling industry
- Textile, shoes, leather industry
- Transport, logistic industry
- Construction industry
- Milling, animal husbandry, flower industry
- Machine tools & steel industry
- Mining, quarry, cement industry
- Energy industry (solar, nuclear, biomass, wind)
- Amusement industry (theatres, leisure parks, kiddy rides)
- Chemical & pharmaceuticals industry
- Paper & printing industry
- Plastic & rubber industry
- Telecommunications industry (satellite orientation systems, military radar)
- Engineering and consultant companies

Certifications

Our products can be manufactured to conform with the ATEX Directive 2014/34/UE. In addition, the safety and quality of our motors, geared motors and motovariators is guaranteed by the EAC (EurAsian Conformity) certification, an essential requirement for products exported to the Russian Federation. Our motors are UL certified, which guarantees their safety and quality requirements for the North American market.

Quality CONCEPT

Motovario® has obtained the quality certification renewal of its production system in conformity to the UNI EN ISO 9001:2008 standard. This internationally recognised certification acknowledges the company's commitment and drive geared towards constantly improving products, projects and services offered. Moreover, the company has obtained the OHSAS 18001:1999 (Occupational Health and Safety Assessment Series) certification, which defines the requirements of the workplace safety and health management system.

Research & DEVELOPMENT

Technological innovation: a crucial factor for competing in the market. In the company's 50-year history, research and change have been the pivotal factors in guaranteeing competitiveness at a global level, thanks to increasingly advanced products in terms of performance and reliability. Each year the company invests an increasing amount of its turnover in research and development, geared towards promoting the constant study and analysis of products, control processes and performance certification. In order to ensure that customers receive products that comply with the requested performance levels, the company carries out simulations on all new products, including NVH (Noise, Vibration, Harshness) tests effected in the advanced semi-anechoic chamber.

Customer CARE

Innovative instruments and software applications supporting the technical and logistic requirements of our partners worldwide guarantee a timely and customised service. The experience acquired by Motovario® has led to the creation of the new online portal MyMotovario 4.0, which allows for selecting products and exporting their 3D file. As a result, designers and engineering departments can download the three-dimensional model of the requested product and implement it directly in their own layout. In order to maximise customer service and quality, Motovario® offers all its customers the following online services: Order Tracking, which allows for monitoring the progress of an order in real time, and the Stock Availability service, through which users may check the availability (stock) of our products, both in the Italian plant and in the various branches.

Motovario chooses technological evolution.

Motovario® has chosen technological evolution and actively collaborates with the Faculty of Engineering of the University of Modena and Reggio Emilia and of the University of Bologna.

Reliability, sturdiness, versatility

These are the distinctive traits of Motovario products. A broad range of transmission products that provide a competent, innovative solution to each and every power application need. Cutting-edge tools, unrelenting research efforts and ongoing commitment to upgrading manufacturing equipment to the latest state-of-the-art enable us to offer high quality and performance standards to cater to industry requirements and the broadest variety of applications. Motovario ranks among the leading, well-reputed companies in Italy engaged in the design, manufacture and sales of transmission products for industrial and civil applications. The entire manufacturing process takes place in Formigine and Ubersetto plants, in Modena area, with an overall surface area of over 50.000 sq m. and a workforce of about 500 people. 170 numerically controlled machines and cutting-edge handling, storage and assembly automated systems ensure that all products meet high quality standards. The network includes more than 40 Motovario-certified assembly centres, with the capability to supply products in a broad range of versions, including customised versions, high service capacity and fast response. As a result, our product offering can cater to the needs of all plant engineering sectors, in all industries and for different applications, and includes: speed variators, helical, bevel-helical, parallel helical, worm gear reducers and gearmotors, electric motors and motor-inverters. All of the products we manufacture share such common features as reliability, sturdiness and versatility, topped with a high innovation content. At the heart of a company's technological innovation is the ability to develop integrated tools for computer-aided calculation simulation and management of different processes as part of product development. When simulating operating, setup and process conditions, it is also necessary to analyse and optimize the overall functional design of a product using a synergistic approach. This is achieved by implementing an exhaustive experimental plan, without using interpolation or approximation, as they frequently allow criticalities or any oversizing which is not conducive to maximising quality/cost ratio to go unnoticed.

High-efficiency method for calculation according to standards

A set of specific functions have been developed to this end. A few significant examples include functions to:

- Optimise individual reduction ratios and the combinations of the different reduction stages based on parametrisable target normal series;
- Calculate torque values and maximum permissible external forces for gear reducer units, using iterative numeric algorithms to confirm target life/safety values of components;
- Create databases for loading a FEM structural analysis model by automatically writing all reaction components of bearings under all load conditions to a specific file, with automatic selection of critical cases that need to be verified.

Another goal of the method is to create synergy between calculation according to standards and FEM structural calculation and the implementation of FEM model loading procedures, so as to simplify input data, meshing and constraint criteria

Competitiveness and operational benefits of the new method

This method offers many practical advantages over traditional calculation procedures within the company, namely:

- Iterative optimisation of project since setup stage;
- Accurate assessment of the various service factors and reliability levels for the entire gear reducer unit and for all operating conditions as per catalogue rating or customer specific requirements;
- Faster support to customers in analysing tailored product configurations;
- Integrated corporate databases that can be updated in real-time;

Range extension and ongoing evolution

The steady, significant growth of Motovario Group is achieved thanks to an ongoing search for new calculation and design tools, as well as to customer service. The new tools identified have led to innovation, improved product reliability as well as positive developments in market management. The following software products are used for design, calculation and management:

- Solidworks;
- Kisoft;
- Kissys;
- Ansys;
- FEM modelling analysis software;
- Circuit design and simulation software;
- Specific spreadsheets;
- SAP.

In MyMotovario 4.0 portal, PRODUCT SELECTION includes a section named APPLICATIONS where customers can enter application data and find out which gear reducer suits them best in a matter of minutes.

MOTOVARIO Products

<p>HELICAL GEAR REDUCERS</p> <p>Cast iron or aluminum casing Output shaft up to 90 mm Mn₂ up to 8.600 Nm Reduction stages 1, 2, 3 Ratios up to 354 Atex units</p>	
<p>HELICAL BEVEL GEAR REDUCERS</p> <p>Cast iron or aluminum casing Output shaft up to 110 mm Mn₂ up to 14.000 Nm Reduction stages 2, 3 Ratios up to 443 Atex units</p>	
<p>SHAFT MOUNTED GEAR REDUCERS</p> <p>Cast iron Output shaft up to 90 mm Mn₂ up to 10.250 Nm Reduction stages 2, 3 Ratios up to 395 Atex units</p>	
<p>WORM GEAR REDUCERS</p> <p>Cast iron or aluminum casing Output shaft up to 50 mm Mn₂ up to 2.700 Nm Ratios up to 1083 Atex units</p>	
<p>PLANETARY GEARED UNITS</p> <p>Cast iron Output shaft up to 80 mm Mn₂ up to 10000 Nm Reduction stages 1, 2, 3, 4 Ratios up to 2700</p>	

<p>PARALLEL HELICAL AND BEVEL HELICAL GEAR REDUCERS FOR MIDDLE HEAVY INDUSTRY</p> <p>Cast iron casing Output shaft up to 180 mm Mn₂ up to 110.000 Nm Reduction stages 2, 3, 4 Ratios up to 431 Atex units</p>	
<p>MOTOVARIATORS AND MOTOVARIATOR-GEAR REDUCERS</p> <p>Cast iron or aluminum casing Ratios infinite Mn₂ up to 5.000 Nm Atex units</p>	
<p>ELECTRIC MOTORS</p> <p>Power ratings up to 90 kW Poles 2, 4, 6 Three-phase and single-phase, built-in brake, dual polarity Protection class up to IP66</p>	
<p>DRIVES</p> <p>DRIVON - motoinverter</p> <p>Three phase and single phase power supply High dynamics sensorless vectorial control Power ratings up to 5,5 kW Standard integrated STO Integrated field bus Optional field bus</p>	

MAIN FEATURES OF THE PBZ SERIES

The gear reducers of the PBZ series are built according to the best design techniques and offer:

- Sturdiness and reliability;
- Low vibration and low noise;
- High torque ratings;
- High efficiency;
- Universal mounting: suitable for horizontal or vertical mounting;
- Broad customization with extensive range of catalogue options;
- Rigid cast-iron casing with large lubricant capacity for enhanced heat capacity;
- Type casing: monobloc (sizes 179-...-349) or split for low maintenance (sizes 399-409);
- Output shaft: solid (as standard), hollow, hollow with shrink disc, splined (hollow or solid), double-ended solid;
- Also available with double-ended input shaft;
- IEC-normalised motor adapter, also available with NEMA adapter;
- High overhung ratings both at input and output shaft ends;
- Reliable, proven high performance;
- Accurately ground helical spur gears;
- Ground or accurately run-in Gleason bevel gear.

EFFICIENCY η Table

PARALLEL HELICAL		
P2Z	P3Z	P4Z
0,96	0,94	0,92

BEVEL-HELICAL	
B3Z	B4Z
0,93	0,91

FRAME SIZES AND GEARING OF THE PBZ SERIES

- Available frame sizes: 179, 199, 219, 249, 269, 279, 319, 349, 399, 409;
- Gearing: 2, 3 and 4 stages for parallel helical gear reducers; 3 and 4 stages for bevel-helical gear reducers.

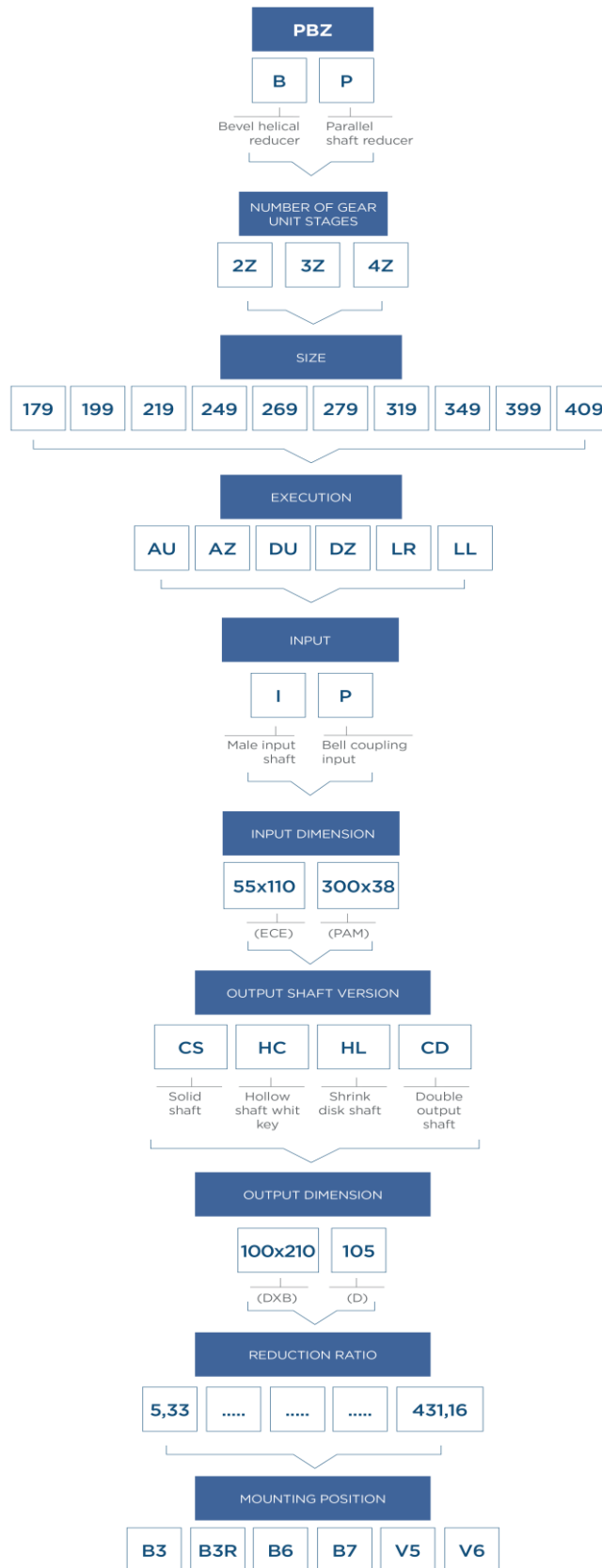
MATERIALS (CASING / GEARS AND SHAFTS) OF THE PBZ SERIES

- Casing: EN-GJS400-15 UNI EN 1563 spheroidal cast-iron;
- Gears: hardened and case-hardened 21NiCrMo2 steel;
- Solid output shaft: hardened and tempered 42CrMo2 or C45 steel;
- Hollow output shaft: hardened and tempered 42CrMo2 or C45 steel.

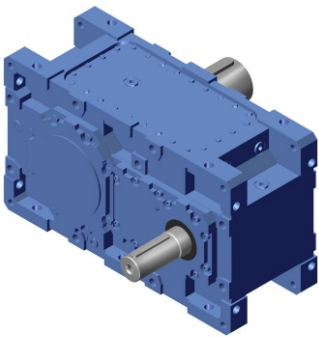
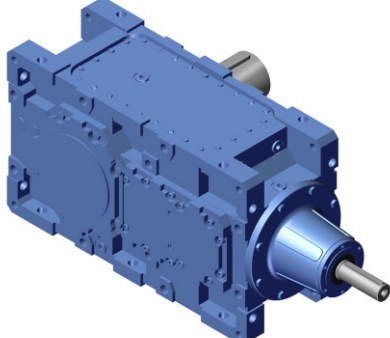
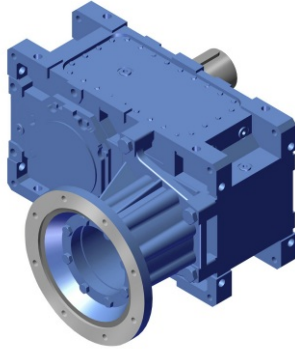
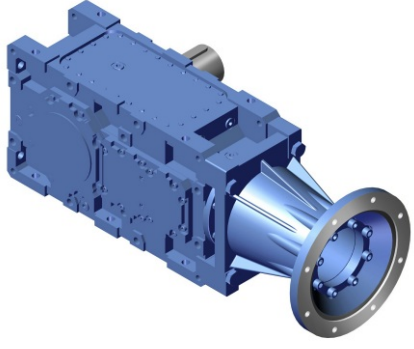
PAINT COATING

- Outer protection with acrylic paint, minimum coat thickness 120 μm . C2 corrosive class according to UNI EN ISO 12944;
RAL 5010 blue textured finish.

2.2.1 Designation



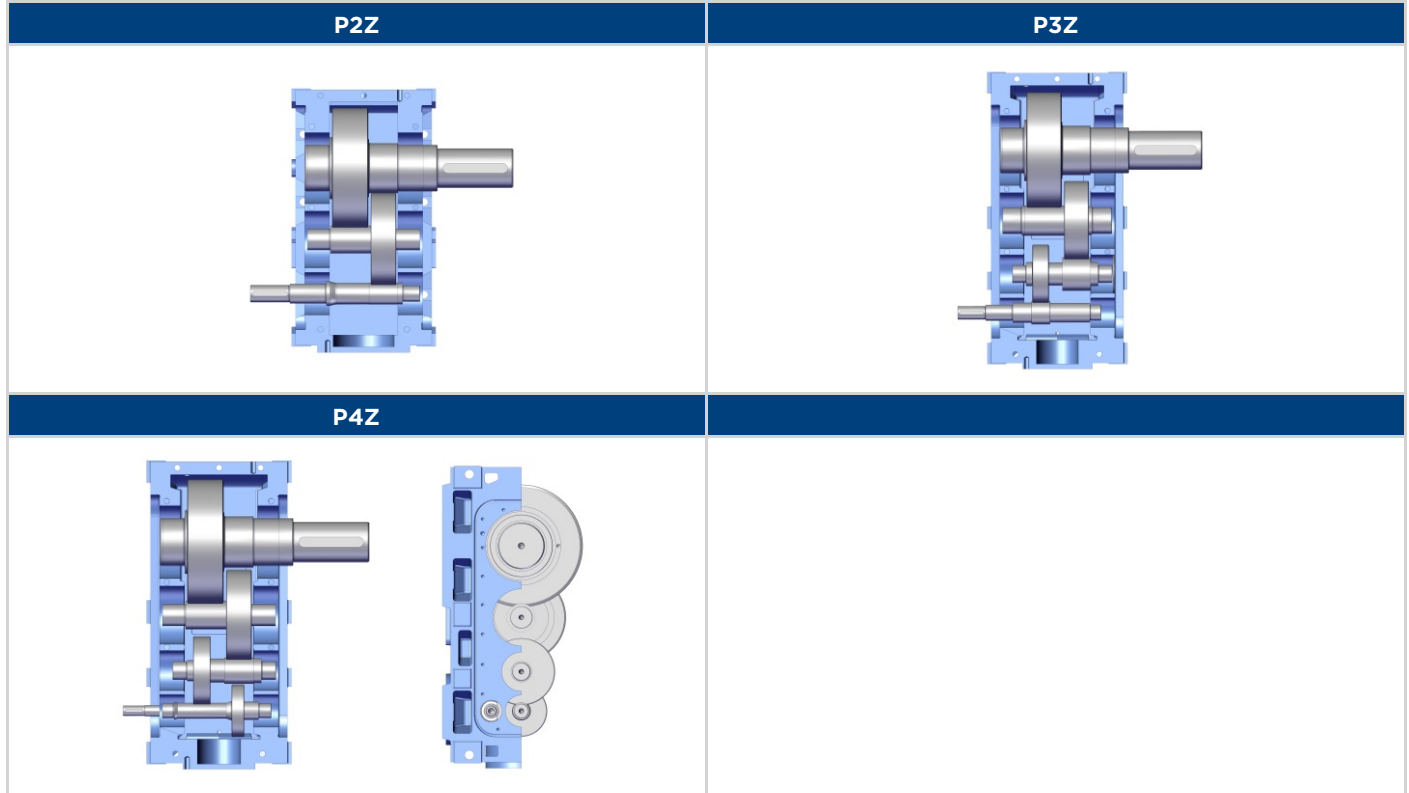
2.2.2 Versions

	Parallel Helical gear reducers	Bevel Helical gear reducers
Solid-shaft input PBZ		
Bell-housing input with coupling PBZ		

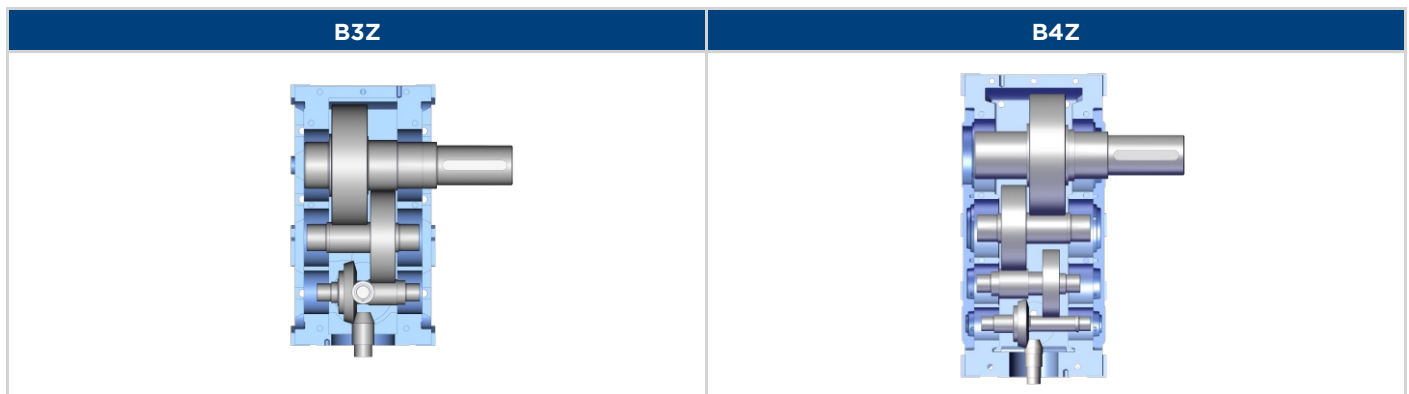
2.2 TYPOLOGY

2.2.3 Gear train

Parallel helical gear reducers



Bevel helical gear reducers



2.2 TYPOLOGY

2.2.4 Available motor mounting flanges

The tables show available coupling configurations and the matching motors.

To determine the compatibility of a geared unit in terms of mechanical factors, double check the selected configuration against the rating charts performance.

To check the availability of the motor coupling dimensions based on sizes, gears and ratios, refer to the paragraph of the dimensional tables.

For brake motors with frame sizes greater than IEC 180, please contact MOTOVARIO TECHNICAL SERVICE.

PZ	MOT. IEC							
	132	160	180	200	225	250	280	315
179	-	-	P2Z	P2Z	P2Z	P2Z	-	-
	P3Z	P3Z	P3Z	P3Z	P3Z	P3Z		
199	-	-	P2Z	P2Z	P2Z	P2Z	-	-
	P3Z	P3Z	P3Z	P3Z	P3Z	P3Z		
219	-	-	-	-	P2Z	P2Z	P2Z	P2Z
	-	P3Z	P3Z	P3Z	P3Z	P3Z	-	-
	P4Z	P4Z	P4Z	-	-	-	-	-
249	-	-	-	-	P2Z	P2Z	P2Z	P2Z
	-	P3Z	P3Z	P3Z	P3Z	P3Z	-	-
	P4Z	P4Z	P4Z	-	-	-	-	-
269	-	-	-	-	-	-	P2Z	P2Z
	-	-	P3Z	P3Z	P3Z	P3Z	P3Z	P3Z
279	-	-	-	-	-	-	-	-
	-	-	P3Z	P3Z	P3Z	P3Z	P2Z	P2Z
319	-	-	P3Z	P3Z	P3Z	P3Z	P3Z	P3Z
	-	-	P4Z	P4Z	P4Z	-	-	-
	-	-	-	-	-	-	-	P2Z
349	-	-	-	-	P3Z	P3Z	P3Z	P3Z
	-	-	P4Z	P4Z	P4Z	P4Z	-	-
	-	-	-	-	-	-	-	P2Z

BZ	MOT. IEC							
	132	160	180	200	225	250	280	315
179	B3Z	B3Z	B3Z	B3Z	B3Z	B3Z	-	-
199	B3Z	B3Z	B3Z	B3Z	B3Z	B3Z	-	-
219	-	B3Z	B3Z	B3Z	B3Z	B3Z	-	-
	B4Z	B4Z	B4Z	-	-	-		
249	-	B3Z	B3Z	B3Z	B3Z	B3Z	-	-
	B4Z	B4Z	B4Z	-	-	-		
269	-	-	B3Z	B3Z	B3Z	B3Z	B3Z	B3Z
	B4Z	B4Z	B4Z	B4Z	B4Z	-	-	-
279	-	-	B3Z	B3Z	B3Z	B3Z	B3Z	B3Z
	B4Z	B4Z	B4Z	B4Z	B4Z	-	-	-
319	-	-	-	-	B3Z	B3Z	B3Z	B3Z
	-	B4Z	B4Z	B4Z	B4Z	B4Z	-	-
349	-	-	-	-	B3Z	B3Z	B3Z	B3Z
	-	B4Z	B4Z	B4Z	B4Z	B4Z	-	-

Assembling motor on pam flange

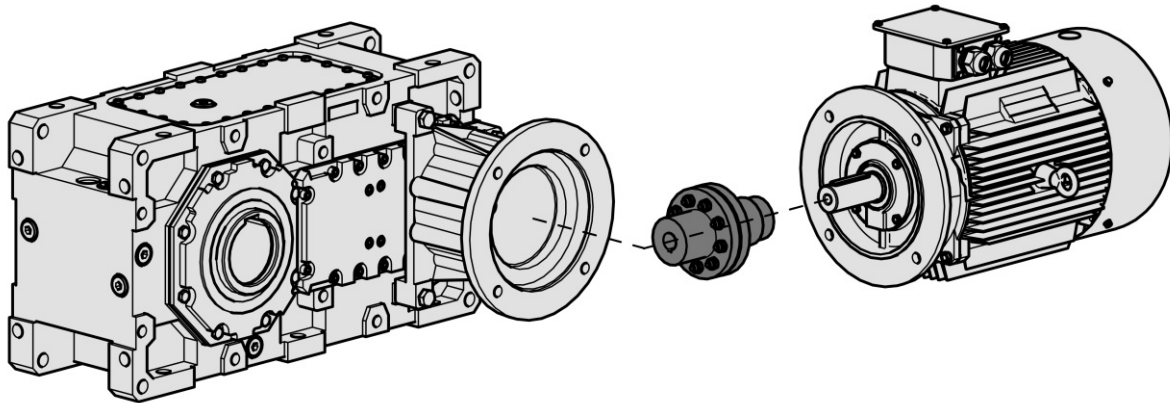
When the gear reducer is supplied without the motor, follow the recommendations below to ensure correct assembly of the drive unit on the transmission:

- First of all make sure, by checking the nameplate data of the motor and gear reducer, that the dimensions of the transmission are suitable to install the motor's rated power. Also ensure the motor is suitable for the class of the environment where it will operate;
- Check that the tolerances of the shaft and motor flange comply with the provisions of standard IEC 60072-1;
- Carefully clean the shaft, spigot and surface of the flange from traces of paint or dirt;
- Lubricate the motor shaft with grease to facilitate the assembly of the coupling joint and avoid surface oxidation;
- Go ahead with the assembly of the half coupling (see figure) on the motor shaft, without forcing it in and therefore damaging the motor bearings;
- Go ahead with the mechanical connection with the gear reducer by engaging the teeth of the half coupling on the motor side with the grooves in the elastic element fixed on the half coupling on the gear reducer side;

If the connecting joint was not supplied by Motovario, make sure that:

- The axial overall dimensions ensure the gear reducer and motor keys are engaged correctly and completely;
- The axial overall dimensions ensure the gear reducer and motor flanges can be coupled easily without remaining apart. An axial preload of the bearings due to the subsequent tightening of the motor fixing screws would lead to premature damage to the bearings.

In any case, refer to the installation manual of the part to be assembled.



2.2.5 Range

The values shown have been calculated at 1400 rpm.

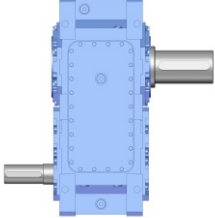
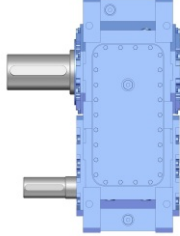
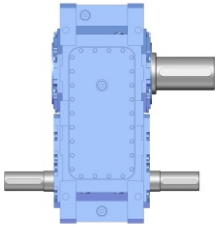
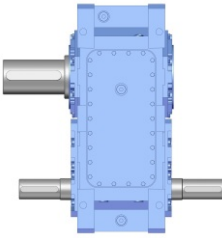
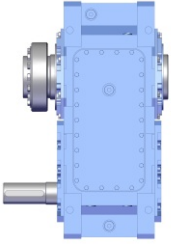
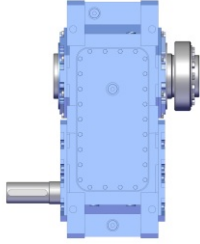
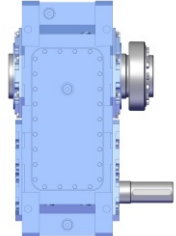
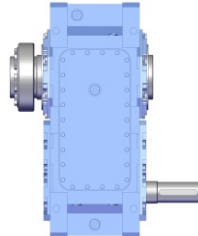
PZ	Mn ₂ [Nm]	i	
	Max	Min	Max
179	9000	6	86
199	11000	8	107
219	19000	6	318
249	24000	8	403
269	29000	6	339
279	36000	8	419
319	55000	6	314
349	70000	8	404
399	90000	6	319
409	110000	8	386

BZ	Mn ₂ [Nm]	i	
	Max	Min	Max
179	9000	13	69
199	11000	16	86
219	19000	12	323
249	24000	15	410
269	29000	12	348
279	36000	15	431
319	55000	12	320
349	70000	16	412
399	90000	12	327
409	110000	15	395

2.3 MOUNTING POSITIONS

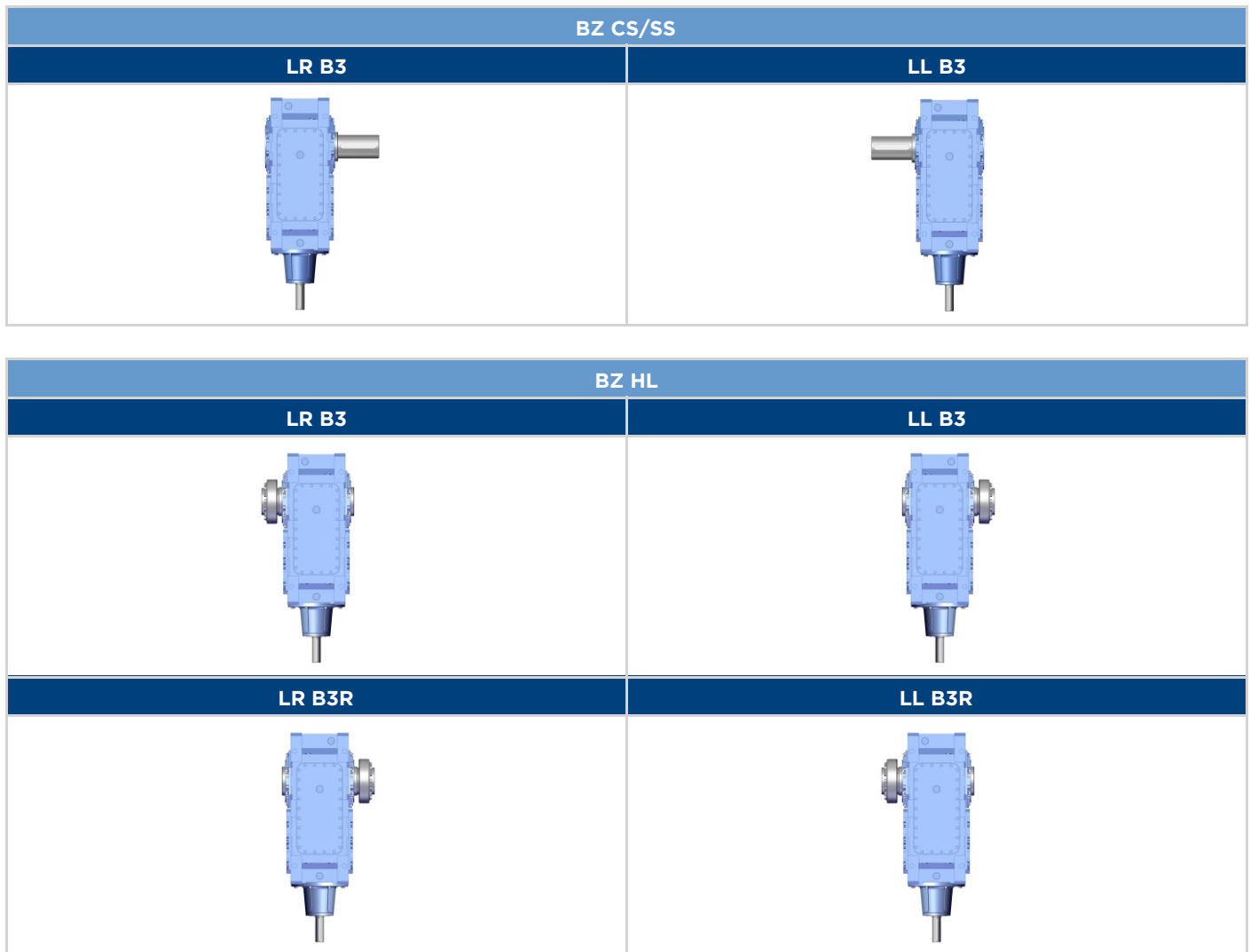
2.3.1 Executions

Parallel helical gear reducers

PZ CS/SS	
AZ B3	AU B3
	
DZ B3	DU B3
	
PZ HL	
AZ B3	AU B3
	
AZ B3R	AU B3R
	

2.3 MOUNTING POSITIONS

Bevel helical gear reducers

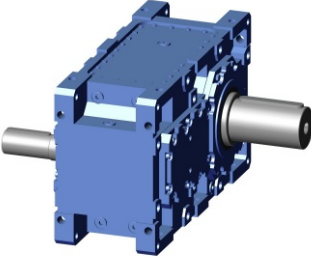
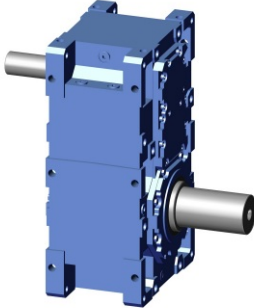
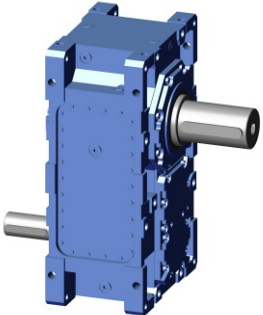
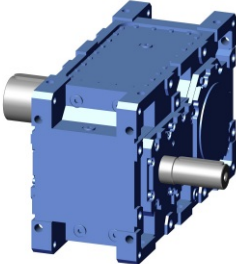
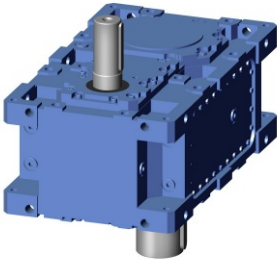
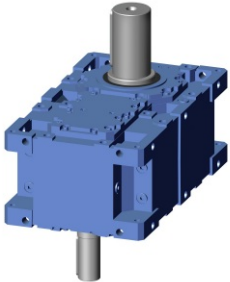


Different executions and double high speed shaft are available for B3Z, please contact MOTOVARIO TECHNICAL SERVICE for validation.

2.3.2 Mounting positions

The mounting position denotes the orientation of a gear reducer. Due to technical considerations, mounting position B3 should be preferred whenever possible, as it ensure less oil splashing, improved lubrication and less heating. Unless otherwise indicated, gear reducers are supplied for the B3 mounting position.

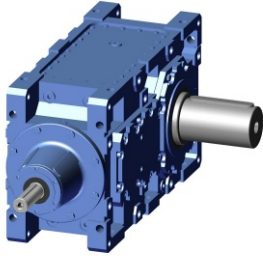
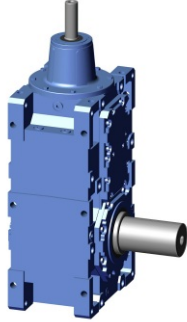
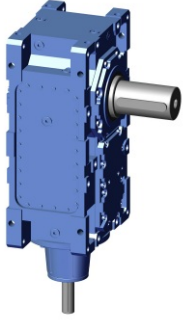
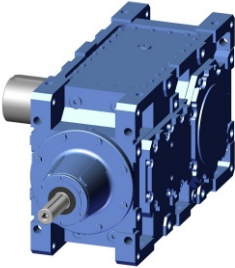
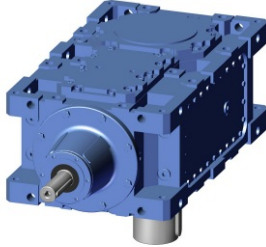
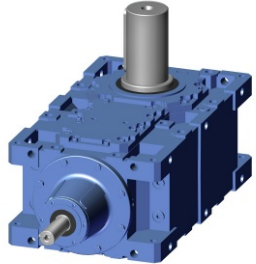
Parallel helical gear reducers

		PZ		
		B3	B6 (*)	B7
AZ				
				

(*) Possible need of bearing forced lubrication, please contact MOTOVARIO TECHNICAL SERVICE.

2.3 MOUNTING POSITIONS

Bevel helical gear reducers

LR	BZ		
	B3	B6 (*)	B7
			
	B3R	V5 (*)	V6 (*)
			

(*) Possible need of bearing forced lubrication, please contact MOTOVARIO TECHNICAL SERVICE.

2.4.1 Product selection

Follow this procedure to select your gear reducer properly:

1. Calculate reduction ratio $i = n_1 / n_2$
2. Calculate output shaft torque $M_2 = P_1 * 9550 * \eta / n_2$ [Nm]
3. Determine the service factor f_s required by the application according to:
 - Type of load (uniform, moderate, heavy)
 - Daily hours of operation
 - Number of starts per hour
 - Type of motor installed.
 Please refer to the tables: Table Application classification, Table f_{sa} , Table f_{sb} and Table f_{sc}
4. Determine the required performance of the gear reducer $Mn_2 = M_2 * f_s$ [Nm]
5. Select gear reducer frame size, gearing and reduction ratio according to Mn_2 , n_2 and n_1 .

Service factor

The service factor required by application is defined by this formula $f_s = f_{sa} * f_{sb} * f_{sc}$ (see relevant tables).

It takes into account how heavy-duty the application is; it depends on operating conditions, inverter type and frequency of gear reducer starts. The service factor of a gear reducer is calculated by dividing its nominal power Pn_1 by installed power P_1 . The parameters that need to be taken into account in order to select the most suitable service factor are reported in tables f_{sa} , f_{sb} and f_{sc} .

Verifications

- a. Verify thermal capacity and ensure that the thermal capacity of the gear reducer under actual operating conditions is higher than the installed power at input shaft. See tables P_{th} (nominal thermal capacity), P_{ta} (additional thermal capacity) and F_{mp} (factor mounting position).
- b. When overloading occurs due to starts under full load, braking, high inertia loads, check that instantaneous peak loading
 (M_{2max}) is $M_{2max} \leq 1,8 * Mn_2$
 Note: instantaneous peak loading is an overload event lasting no more than 10 seconds.
- c. For radial and thrust loading on input and output shaft, please see the relevant tables.
- d. For input speeds higher than $n_1 = 1750$ rpm, please contact MOTOMARIO TECHNICAL SERVICE.

Table f_{5a}

Nature of load applied	Daily operating hours [h/d]				
	2	4	8	16	24
Even	0,80	0,90	1,00	1,25	1,35
Moderate	1,00	1,20	1,30	1,60	1,80
Heavy	1,30	1,60	1,80	2,25	2,50

Table f_{5b}

Nature of load applied	Frequency of starts per hour [st/h]			
	< 6	6 ... 20	20 ... 60	60 ... 120
Even	1	1,25	1,35	1,5
Moderate	1	1,15	1,25	1,35
Heavy	1	1,05	1,15	1,25

Table f_{5c}

Type of motor used	f _{5c}
Electric motor	1,00
Reciprocating multiple-cylinder motor	1,25
Reciprocating single-cylinder motor	1,50

2.4 PRODUCT SELECTION

Table APPLICATION CLASSIFICATION

Application	Type of load
CONVEYORS (for heavy, uneven loads)	
Scraper	Moderate
Belt	Moderate
Bucket	Moderate
Elevators (Redler)	Moderate
Roller	Moderate
For furnaces	Moderate
Reciprocating	Heavy
Oscillating	Heavy
Screw	Heavy
Application	Type of load
PUMPS	
Centrifugal	Moderate
Rotary (gear and screw) (for heavy, uneven loads)	Even
Rotary (gear and screw) (variable density)	Moderate
Reciprocating	Even
Reciprocating double-acting multiple-cylinder	Moderate
Reciprocating single-cylinder	Heavy
Application	Type of load
MILLS	
Rotary ball	Heavy
Hammer	Heavy
Rolling	Heavy
Cement	Moderate
Application	Type of load
COMPRESSORS	
Centrifugal	Even
Sliding-vane positive-displacement	Moderate
Reciprocating multiple-cylinder	Moderate
Reciprocating single-cylinder	Heavy
Application	Type of load
BATCHERS	
Rotary	Moderate
Reciprocating, vibrating	Moderate

Application	Type of load
TEXTILE INDUSTRY	
Washing machines	Moderate
Rotary presses	Moderate
Carding machines	Moderate
Dyeing machines	Moderate
Looms	Moderate
Picking machines	Moderate
Spinning machines	Moderate

Application	Type of load
PAPER INDUSTRY	
Mixers (stirrers)	Moderate
Conveyor belts	Moderate
Drying cylinders	Moderate
Felt stretchers	Moderate
Rotary presses	Heavy
Presses	Heavy
Winders	Heavy

Application	Type of load
FOOD INDUSTRY	
Mixers	Moderate
Kneading machines	Moderate
Sugar beet cutters	Moderate
Meat grinders	Moderate

Application	Type of load
RUBBER AND PLASTIC MACHINES	
Mixers (palletizers)	Heavy
Rotary presses	Heavy
Mills (crushers)	Heavy
Tyre machines	Moderate

Application	Type of load
STIRRERS	
Variable-density	Moderate
Variable-density with suspended solids	Moderate

Table APPLICATION CLASSIFICATION

Application	Type of load
MACHINE TOOLS	
Punching presses	Heavy
Cutting	Heavy
Planers	Heavy
Main drives	Moderate
Auxiliary drives (feeders, workpieces, conveyor)	Uniform
Bending machines	Moderate
Application	Type of load
FANS (regular, balanced speed)	
Centrifugal	Uniform
Lightweight, small-diameter	Uniform
Cooling towers	Moderate
Large-diameter turbo fans (mining)	Moderate
Application	Type of load
CRANES AND STACKER CRANES	
Arm rotation	Uniform
Sideshifter	Moderate
Basket drive control	Heavy
Application	Type of load
CRUSHERS	
Ore	Moderate
Stone	Moderate
Application	Type of load
PACKAGING MACHINES	Uniform
Application	Type of load
WOOD WORKING	
Debarkers	Heavy

Application	Type of load
EXTRACTORS AND DREDGERS	
Rope winders	Moderate
Rail-mounted conveyors	Moderate
Pumps	Moderate
Stackers	Moderate
Material hoisting	Moderate
Bucket extractors	Heavy

Application	Type of load
METAL-WORKING	
Drawbenches	Heavy
Forging presses	Heavy
Cutting machines	Heavy
Rolling mills	Heavy

Application	Type of load
MIXERS	
Steady-density	Uniform
Variable-density	Moderate
For concrete	Moderate

Application	Type of load
ELEVATORS	
Hoists	Moderate
Lifts, ski lifts (cableways)	Heavy

Application	Type of load
WASHING MACHINES AND PUMPS	Moderate

Application	Type of load
WATER TREATMENT	
Mud scraper machines	Moderate
Machines thickeners	Uniform
Sedimentation machines	Moderate
Machines digesters	Moderate
Machines augers	Moderate

2.5.1 Information

Nominal thermal capacity P_{th} is the maximum mechanical power that a gear reducer can transmit (under continuous duty) without its internal temperature rising to such a degree as to damage gear reducer components. Thermal capacity may be increased by using seals made from special rubber and synthetic oil, or suitable cooling devices. In the event of short duty cycles followed by periods of rest long enough to allow for gear reducer to cool down appropriately, thermal capacity loses significance and may be disregarded.

The scheme below indicates the nominal thermal power capacity [kW] according to the following conditions:

- Mounting position B3;
- Continuous operation at input speed ≤ 1500 rpm;
- Environment temperature $T_{amb}=20^{\circ}\text{C}$;
- Sea level altitude;
- Air speed around the gear reducer $\geq 1\text{m/s}$;
- Absence of external radial and/or axial loads;
- Lubricant oil up to 95°C (mineral oil) and 100°C (synthetic oil).

Table NOMINAL THERMAL CAPACITY P_{th}

Pth [kW]										
	PZ - BZ 179	PZ - BZ 199	PZ - BZ 219	PZ - BZ 249	PZ - BZ 269	PZ - BZ 279	PZ - BZ 319	PZ - BZ 349	PZ - BZ 399	PZ - BZ 409
P2Z	59	71	85	99	131	133	181	210	283	319
P3Z	41	44	63	72	91	94	136	155	208	225
P4Z	-	-	39	42	53	56	76	88	118	126
B3Z	35	37	47	62	78	84	108	135	189	212
B4Z	-	-	34	41	47	50	75	86	120	129

When a thermal capacity up to P_{th} is applied to the gear reducer under the reference conditions outlined above, the proper lubrication and operation of the gear reducer are guaranteed.

2.5.2 Verification

Verification of the application

The thermal limit of a gear reducer under real-life application conditions must be verified for each and every application using the following formula:

$P_1 < P_{th} * f_{ta} * f_{tb} * f_{tc} * f_{tn} * f_{ts} * f_{tv}$, where:

- P_1 = installed power [kW]
- P_{th} = thermal capacity under reference conditions [kW] (see table "Nominal thermal capacity");
- f_{ta} = sea-level elevation correction factor (see table);
- f_{tb} = cooling fan correction factor (see table);
- f_{tc} = ambient and operating temperature correction factor (see table);
- f_{tn} = input speed n1 correction factor;
- f_{ts} = cooling coil correction factor (see table);
- f_{tv} = airflow speed correction factor around the gear reducer (see table).

Correction factors reflect operating conditions other than the reference conditions and are obtained from the following ISO14179 tables:

Table f_{ta}
Sea-level elevation correction factor

Altitude [m]	f_{ta}
0 - 1000	1
1000 - 2000	0,9
2000 - 3000	0,8
> 3000	*

Table f_{tb}
Cooling fan correction factor

	n1 [rpm]	f_{tb}
P2Z - P3Z	1400	1,8
B3Z - B4Z	1400	2

Table f_{tc}
Ambient and operating temperature correction factor

F _c	% Duty per hour of operation					
	100	80	70	40	20	
Ambient temperature °C	10	1,21	1,28	1,40	1,64	2,19
	20	1,07	1,13	1,23	1,45	1,93
	25	1,00	1,05	1,15	1,35	1,80
	30	0,93	0,98	1,07	1,25	1,67
	40	0,79	0,83	0,90	1,06	1,41
	45	0,71	0,75	0,82	0,96	1,29
50	0,64	0,68	0,74	0,87	1,16	

Table f_{tn}
Input speed n1 correction factor

f _{tn}	n1 [rpm]						
	700	900	1140	1400	1800	2250	2800
P2Z - B3Z	1,1	1,07	1,05	1	0,9	0,85	0,75
P3Z - P4Z - B4Z	1,07	1,05	1,05	1	0,95	0,9	0,8

Table f_{ts}
Cooling coil correction factor

	f_{ts}
PBZ	2,25

Table f_{tv}
Airflow speed correction factor around the gear reducer

Ventilation correction factor	f_{tv}
Stagnant air (<0,5 m/s)	0,75
Indoor installation with slight ventilation	1
Indoor installation with good ventilation (>1,4 m/s)	1,4

* Please contact MOTOVARIO TECHNICAL SERVICE.

If unit is to operate at input speeds higher than 2800 rpm, or at ambient temperatures exceeding 50 °C, please contact MOTOVARIO TECHNICAL SERVICE.

Cooling unit

They are auxiliary cooling systems to be used if fan and coil are not enough to carry out the thermal check.

- Oil/Water - Heat exchanger consisting of motor pump, plate exchanger, pressure gauge, thermometer and minimum pressure switch;
- Oil/Air - Heat exchanger consisting of motor pump, motor fan, thermometer, thermostat, minimum pressure switch, and pressure gauge.

The following accessories are available upon request:

- PT100 oil temperature sensor for heat exchanger control;
- Flow meter.

The heat exchanger provides the unit with an additional thermal capacity (Pta) to be added to the standard thermal capacity, as explained by relation:

$$P1 < (Pth * fta * ftc * ftn * ftv) + (Pta*ftUR)$$

where:

Pta= additional thermal capacity [kW], for UR O/W or for UR O/A

ftUR = correction factor due to a temperature value other than +20°C of water for UR O/W or of air for UR O/A, respectively **P1**= installed power [kW],

Pth, fta, ftc, ftn, ftv = as specified in paragraph Thermal Capacity

**Table Pta - Additional thermal capacity [kW]
WATER - OIL
UR O/W with water temperature at 20°C**

UR O/W	P2Z	P3Z	P4Z	B3Z	B4Z
4	100	67	50	57	44
7	175	105	79	90	70
12	300	180	135	154	120
18	450	270	203	231	180
29	725	435	326	373	290
40	1000	600	450	514	400
50	1250	750	563	643	500

**Table Pta - Additional thermal capacity [kW]
AIR - OIL
UR O/A with air temperature at 20°C**

UR O/A	P2Z	P3Z	P4Z	B3Z	B4Z
4	100	56	42	48	38
7	175	99	74	85	66
12	300	169	127	145	113
18	450	254	191	218	169
29	725	410	307	351	273
40	1000	565	424	484	377
50	1250	706	530	605	471

Correction factors for water temperature values other than the standard ones specified in the catalogue

	[°C]	ft _{URO/W}
Water Temperature [°C]	10	1.05
	20	1
	25	0.93
	30	0.8
	35	0.8

Correction factors for air temperature values other than the standard ones specified in the catalogue

	[°C]	ft _{URO/A}
Air Temperature [°C]	20	1
	30	0.88
	40	0.75
	45	0.7
	50	0.63

The value of maximum input speed $n_1 \text{ max}$ shown in the table reflects continuous duty S1 (operation under steady loading for a period long enough to achieve thermal balance) and the B3 mounting position.

Continuous speeds above 1800 rpm are nevertheless not recommended since they could cause overheating and early deterioration of seals, bearings and lubricant.

Mounting positions other than B3 could make it necessary to use dedicated forced lubrication systems, while the transmission ratio could in some cases originate a further limitation of the permissible maximum input speed $n_1 \text{ max}$, contact MOTOVARIO TECHNICAL SERVICE.

For intermittent duty, please contact MOTOVARIO TECHNICAL SERVICE.

Table MAXIMUM PERMISSIBLE INPUT SPEED $n_1 \text{ max}$

$n_1 \text{ max}$ [rpm]					
PZ - BZ	P2Z	P3Z	P4Z	B3Z	B4Z
179	2800	2800	-	2800	-
199	2800	2800	-	2400	-
219	2800	2800	2800	2400	2800
249	2400	2800	2800	2240	2800
269	2240	2800	2800	2240	2800
279	2240	2800	2800	2000	2800
319	1800	2400	2800	2000	2400
349	1800	2400	2800	1800	2400
399	1800	2000	2400	1800	2240
409	1400	1800	2400	1400	2000

2.7.1 Information

Proper lubrication makes for:

- Lower friction;
- Less heating;
- Increased efficiency;
- Lower oil temperature;
- Less wear.

Motovario gear reducers of the PBZ series have been designed for oil bath lubrication. For mounting position V5/V6 and with vertical input shaft, pressure-fed lubrication must be provided using a mechanical pump (external, driven directly by input or intermediate shaft) or a motor pump (external, driven by electric motor), see chapter DEVICES. Unless expressly requested, gear reducers are supplied dry, (to request oil supply, see table LUBRICANTS RECOMMENDED BY MOTOVARIO). In case of unavailability, please contact MOTOVARIO TECHNICAL SERVICE. To extend lubrication intervals and ambient temperature range, or reduce oil temperature, we recommend using **polyglycol or polyalphaolefin-based synthetic oil**. Choose the most appropriate oil depending on operating conditions:

- For light, intermittent duty without significant temperature fluctuations, use **mineral oil**;
- For heavy, continuous duty with significant temperature fluctuations, use **polyalphaolefin or polyglycol-based synthetic oil** depending on the application. **Polyglycol-based synthetic oils** mix with water and are not compatible with other oils, as their lubricating properties degrade very quickly. Use them with great care.

2.7.2 Lubricants

Specifications of LUBRICANTS RECOMMENDED BY MOTOVARIO

	Mineral oil	Polyalphaolefin synthetic oil (PAO)	Polyglycol synthetic oil (PG)
ENI	BLASIA FMP	BLASIA FSX	-
SHELL	OMALA S2 GX	OMALA S4 GXV	OMALA S4 WE
KLUBER	Kluberoil GEM 1-...N	Klubersynth GEM 4-...N	Klubersynth GH 6
MOBIL	MOBILGEAR XMP	SHC GEAR	GLYGOYLE
CASTROL	ALPHA SP	ALPHASYN T	ALPHASYN PG
BP	ENERGOL GR-XP	ENERSYN EP-XF	ENERSYN SG-XP
TOTAL	CARTER EP	CARTER SH	CARTER SY

Based on the output speed n_2 , check the oil type to be used in table ISO VISCOSITY GRADES, that provides the average kinematic speed value [cSt] at 40 °C.

Table ISO VISCOSITY GRADES

n_2 (rpm)	$T_{amb}^{\circ C}$	
	Mineral oil	Synthetic oil
	(0) ÷ (+40)	(-10) ÷ (+50)
> 210	150	150
210 ÷ 20	150	220
20 ÷ 5	220	320
<5	320	460

2.7.3 Quantity

For the gear reducers of the PBZ series, it is always necessary to specify the mounting position.

The amount of oil in the table are merely indicative only and for the proper topping up you will have to refer to the level plug or the dipstick, if any. Any deviations in level can depend on construction tolerances but also by the placement of the unit or by the mounting surface at the customers' premises. For this reason it is appropriate that the customer checks and, if necessary, restores the level when the unit are installed.

Table OIL CAPACITIES IN LITRES ~ [l]

	P2Z									
	179	199	219	249	269	279	319	349	399	409
B3	13	16	21	30	35	45	58	85	128	135
B3R	13	16	21	30	35	45	58	85	128	135
B6	20	25	40	48	62	79	108	150	190	234
B7	18	23	37	50	55	73	100	125	180	215
V5	16	20	34	41	53	67	91	134	165	198
V6	17	21	36	43	56	70	96	140	173	208

	P3Z									
	179	199	219	249	269	279	319	349	399	409
B3	14	19	23	32	40	55	62	95	145	145
B3R	14	19	23	32	40	55	62	95	145	145
B6	21	27	46	52	67	87	115	165	205	245
B7	19	25	42	46	63	85	112	150	190	225
V5	17	23	38	44	58	70	100	141	178	209
V6	18	24	40	46	61	74	104	148	187	219

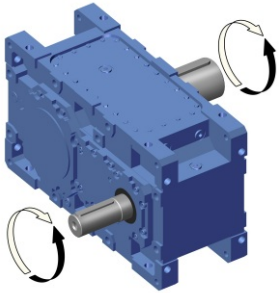
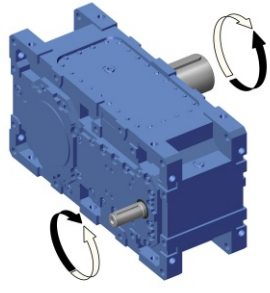
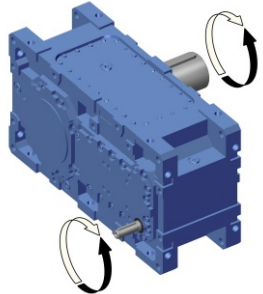
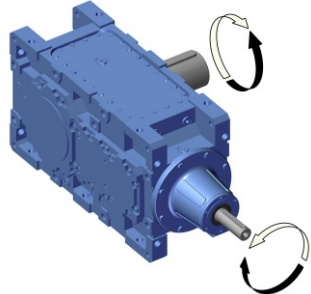
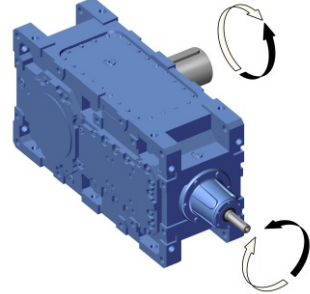
	P4Z							
	219	249	269	279	319	349	399	409
B3	23	32	40	55	62	95	145	145
B3R	23	32	40	55	62	95	145	145
B6	46	52	67	87	115	165	205	245
B7	42	46	63	85	112	150	190	225
V5	38	44	58	70	100	141	178	209
V6	40	46	61	74	104	148	187	219

	B3Z									
	179	199	219	249	269	279	319	349	399	409
B3	13	16	21	30	35	45	58	85	128	135
B3R	13	16	21	30	35	45	58	85	128	135
B6	20	25	40	48	62	79	108	150	190	234
B7	18	23	37	50	55	73	100	125	180	215
V5	16	20	34	41	53	67	91	134	165	198
V6	17	21	36	43	56	70	96	140	173	208

	B4Z							
	219	249	269	279	319	349	399	409
B3	23	32	40	55	62	95	145	145
B3R	23	32	40	55	62	95	145	145
B6	46	52	67	87	115	165	205	245
B7	42	46	63	85	112	150	190	225
V5	38	44	58	70	100	141	178	209
V6	40	46	61	74	104	148	187	219

2.8 DIRECTION OF ROTATION

Gear reducers are supplied as “standard” with rotation as shown in the diagram.

AZ	P2Z	P3Z
		
	P4Z	
		
LR	B3Z	B4Z
		

2.9.1 Information

Permissible radial load [N] values are indicated in the following tables and refer to the load applied at shaft midpoint in the worst conditions, in terms of angle of application and direction of rotation. In the event of special conditions that exceed the ratings given in the catalogue, please contact MOTOVARIO TECHNICAL SERVICE and submit the full application data: direction of loading, direction of rotation of shaft, type of duty. For double-ended and hollow shafts, where radial loading is to be applied at both ends, maximum permissible loads must be determined according to specific operating conditions. When this is the case, please contact MOTOVARIO TECHNICAL SERVICE.

Shaft radial loading is calculated by the following formula: $Fr = (2000 * M * fz) / D \leq Fr1 \text{ or } Fr2$ where:

- **Fr** [N] Resultant radial load
- **M** [Nm] Shaft torque
- **D** [mm] Diameter of transmission element mounted on the shaft
- **Fr1-Fr2** [N] Maximum permissible radial loading (see relevant tables)
- **fz** = 1,1 Gear pinion
1,4 Chain wheel
1,4 Pulley for timing belt drive
2,5 V belt pulley

2.9.2 Input - Radial load

Fr1 [N] is the permissible radial load value from the gear reducer in continuous service, applied at the centre line of the shaft, considering input speed $n_1 = 1400$ rpm.

For radial load application positions other than on the centre line, contact MOTOVARIO TECHNICAL SERVICE.

	PBZ	179	199	219	249	269	279	319 (1)	349 (2)	399 (3)	409 (4)
Fr1	P2Z	6000	6000	8000	8000	10000	10000	17000	17000	21000	21000
	P3Z	4700	4700	6100	6100	9000	9000	12000	12000	15000	15000
	P4Z	-	-	4000	4000	4900	4900	5900	5900	9100	9100
	B3Z	4700	4700	6100	6100	9000	9000	12000	12000	13000	13000
	B4Z	-	-	4000	4000	4900	4900	5900	5900	9100	9100

(1) In case of $i \leq 11,55$ and presence of radial load Fr1, contact MOTOVARIO TECHNICAL SERVICE.

(2) In case of $i \leq 14,85$ and presence of radial load Fr1, contact MOTOVARIO TECHNICAL SERVICE.

(3) In case of $i \leq 10,94$ and presence of radial load Fr1, contact MOTOVARIO TECHNICAL SERVICE.

(4) In case of $i \leq 13,24$ and presence of radial load Fr1, contact MOTOVARIO TECHNICAL SERVICE.

2.9.3 Output - Radial load

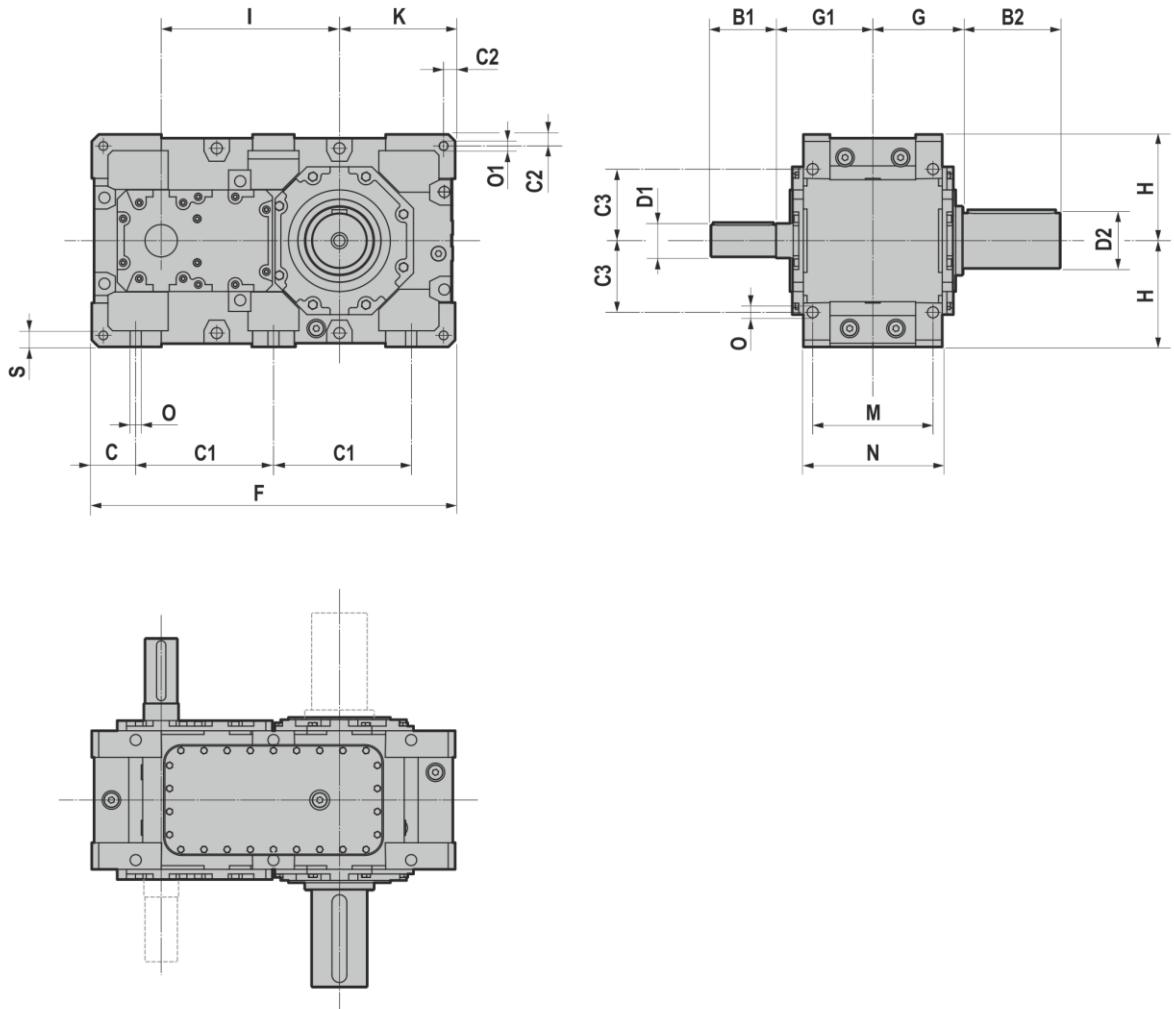
Fr2 [N] is the permissible radial load value from the gear reducer in continuous service, applied at the centre line of the output shaft, calculated considering the most unfavourable conditions as for application angle and direction of rotation.

For radial load application positions other than on the centre line and/or in case of axial loads, contact MOTOVARIO TECHNICAL SERVICE.

	PBZ	179	199	219	249	269	279	319 (1)	349	399	409
Fr2	P2Z	40000	63000	68000	80000	80000	79000	80000	152000	176000	201000
	P3Z - P4Z B3Z - B4Z	56000	94000	106000	112000	80000	132000	143000	186000	210000	318000

(1) In case of $i \leq 11,55$ and presence of radial load Fr2, contact MOTOVARIO TECHNICAL SERVICE.

3.1.1 P2Z



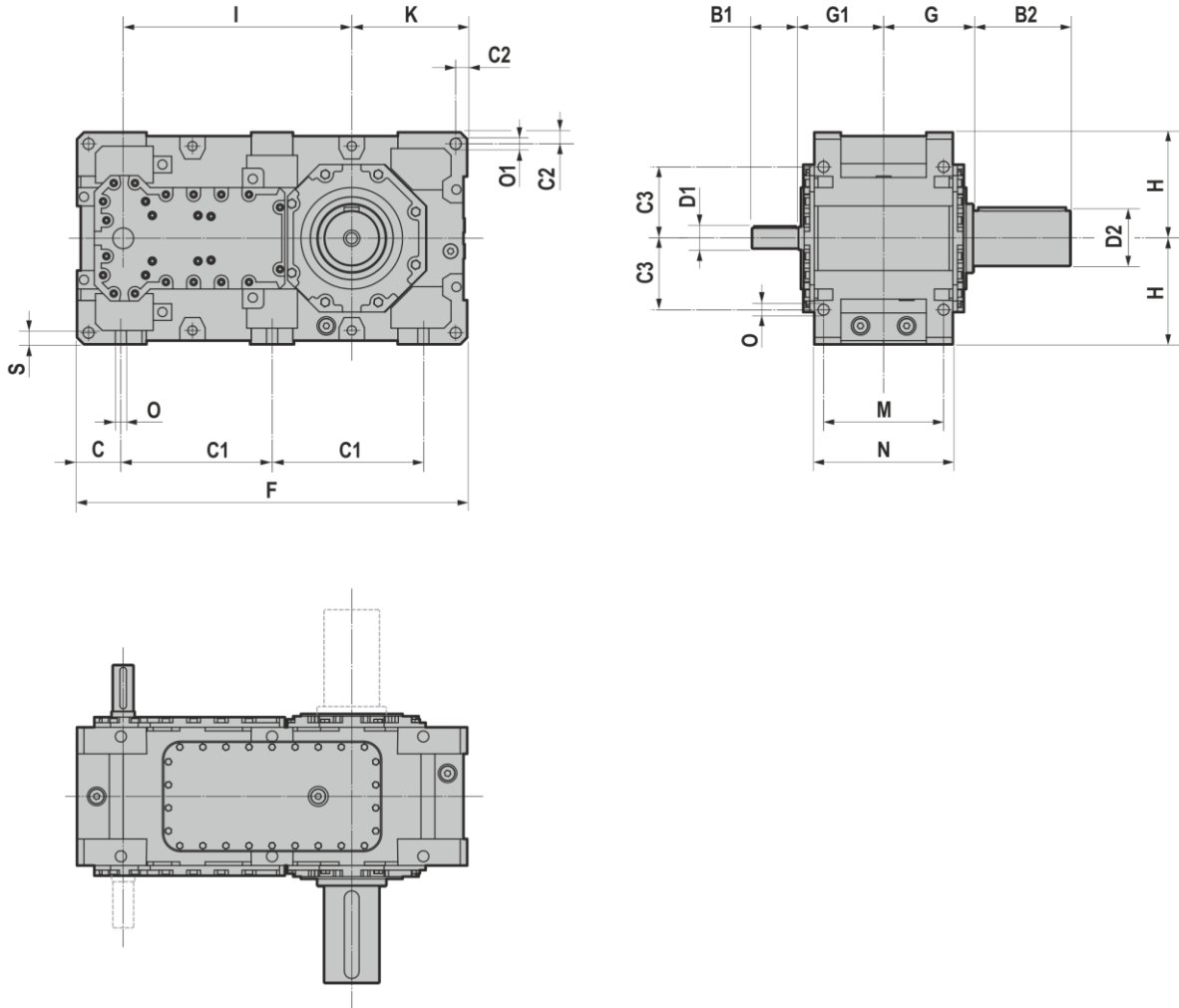
3.1 REDUCERS/GEARED MOTORS

P2Z	D2	B2	C	C1	C2	C3	F	G	G1
179	100	210	75	245	22,5	137,5	640	165	195
199	110	210	80	280	22,5	150	720	165	195
219	120	210	95	297,5	25	155	785	195	210
249	130	250	105	340	30	180	890	195	210
269	140	250	105	360	30	195	930	235	240
279	160	300	117,5	395	35	210	1025	235	240
319	170	300	127,5	425	35	220	1105	270	275
349	180	300	140	490	40	265	1260	270	275
399	200	350	115	545	95	300	1320	335	330
409	220	350	127,5	600	95	300	1455	335	330

P2Z	H	I	K	M	N	O	O1	S
179	200	315	205	220	255	19	19	28
199	230	350	250	220	255	19	19	30
219	230	385	250	260	300	24	24	35
249	280	430	310	260	300	24	28	40
269	280	455	300	320	370	28	28	40
279	320	500	350	320	370	28	32	40
319	320	545	345	370	430	35	32	50
349	400	615	430	370	430	35	32	50
399	440	665	405	475	550	35	35	60
409	440	730	475	475	550	35	35	60

P2Z	i	D1	B1
179	6,37 - 11,4	55	100
	13,7 - 16,8	45	90
	18,2 - 20,9	40	80
199	7,91 - 14,1	55	100
	17,0 - 20,9	45	90
	22,6 - 26,0	40	80
219	6,28 - 10,03	70	140
	11,0 - 14,7	55	100
	16,1 - 18,9	50	110
249	7,96 - 12,7	70	140
	13,9 - 18,6	55	100
	20,4 - 24,0	50	110
269	6,44 - 11,1	80	140
	12,0 - 16,3	65	120
	17,5 - 20,7	55	100
279	7,96 - 13,8	80	140
	14,9 - 20,1	65	120
	21,6 - 25,6	55	100
319	6,33 - 11,6	95	160
	13,3 - 15,5	80	140
	16,7 - 20,5	70	130
349	8,14 - 14,9	95	160
	17,1 - 20,0	80	140
	21,5 - 26,3	70	130
399	6,62 - 10,9	100	205
	12,3 - 17,2	85	170
	18,6 - 20,2	85	170
409	8,01 - 13,2	100	205
	14,8 - 20,8	85	170
	22,5 - 24,4	85	170

3.1.2 P3Z



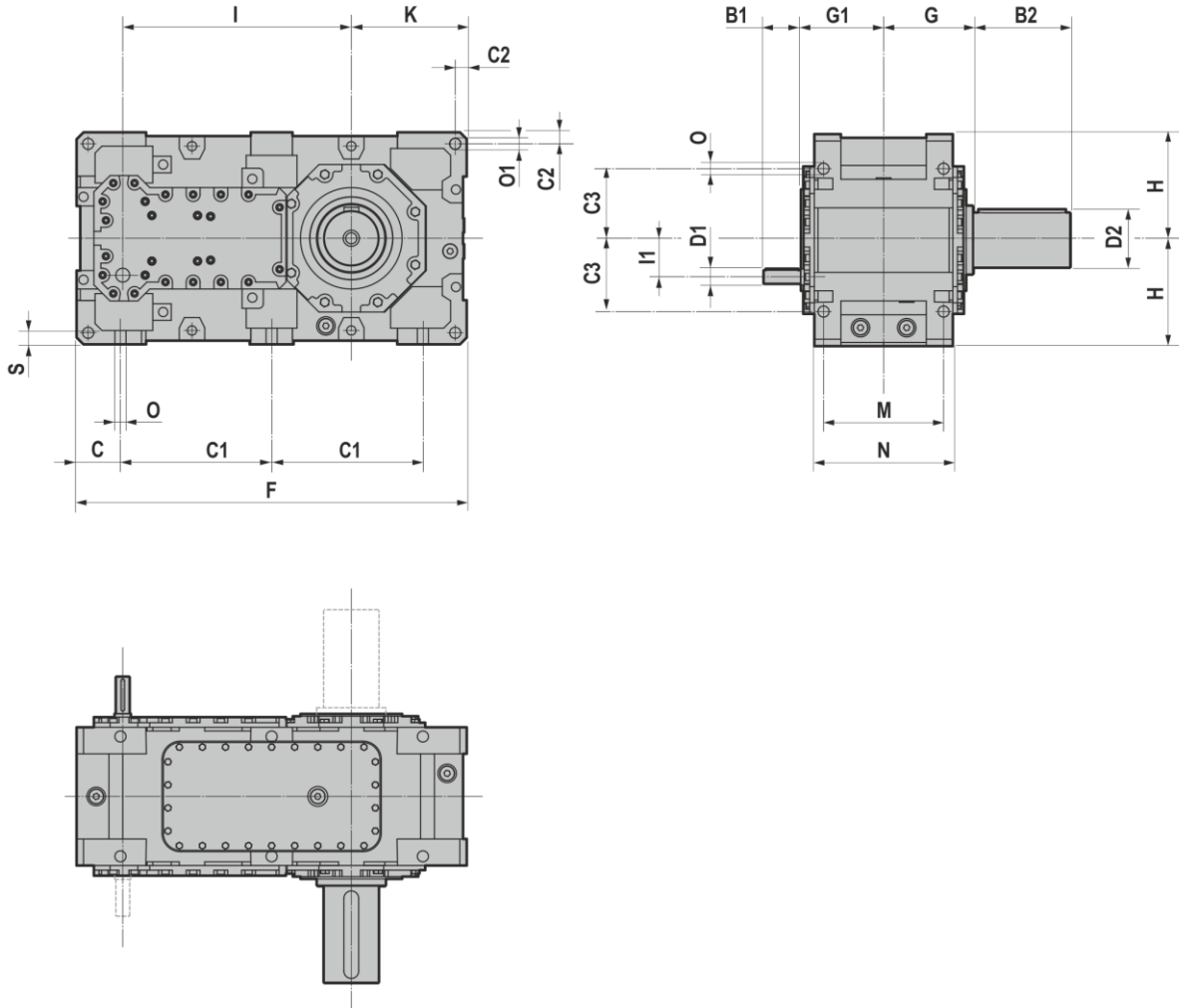
3.1 REDUCERS/GEARED MOTORS

P3Z	D2	B2	C	C1	C2	C3	F	G	G1
179	100	210	75	270	22,5	137,5	690	165	160
199	110	210	80	305	22,5	155	770	165	160
219	120	210	95	327,5	25	155	845	195	185
249	130	250	105	375	35	180	960	195	185
269	140	250	105	400	30	195	1005	235	230
279	160	300	117,5	432,5	40	210	1100	235	230
319	170	300	127,5	472,5	30	220	1200	270	255
349	180	300	140	537,5	40	265	1355	270	255
399	200	350	115	597,5	95	300	1425	335	310
409	220	350	127,5	652,5	95	300	1560	335	310

P3Z	H	I	K	M	N	O	O1	S
179	200	405	205	220	255	19	19	28
199	230	440	250	220	255	19	19	28
219	230	495	250	260	300	24	24	35
249	280	540	315	260	300	24	28	40
269	280	585	300	320	370	28	28	40
279	320	630	350	320	370	28	32	40
319	320	705	345	370	430	35	32	50
349	400	775	430	370	430	35	32	50
399	440	850	405	475	550	35	35	60
409	440	915	475	475	550	35	35	60

P3Z	i	D1	B1
179	24,5 - 42,9	35	80
	46,4 - 68,2	30	80
	73,9 - 86,2	25	70
199	30,5 - 53,3	35	80
	57,7 - 84,7	30	80
	91,8 - 107	25	70
219	22,6 - 41,5	45	100
	49,8 - 62,7	35	90
	70,5 - 81,3	30	90
249	28,6 - 52,6	45	100
	63,1 - 79,4	35	90
	89,4 - 103	30	90
269	25,1 - 44,7	55	120
	53,9 - 66,1	45	110
	71,5 - 82,3	40	100
279	31,0 - 55,3	55	120
	66,6 - 81,7	45	110
	88,5 - 102	40	100
319	24,3 - 38,8	70	160
	42,4 - 56,8	55	120
	62,3 - 73,2	50	130
349	31,2 - 49,9	70	160
	54,5 - 73,0	55	120
	80,1 - 94,1	50	130
399	24,9 - 43,2	80	160
	46,6 - 63,0	65	140
	67,6 - 80,0	55	120
409	30,2 - 52,2	80	160
	56,4 - 76,2	65	140
	81,8 - 96,8	55	120

3.1.3 P4Z



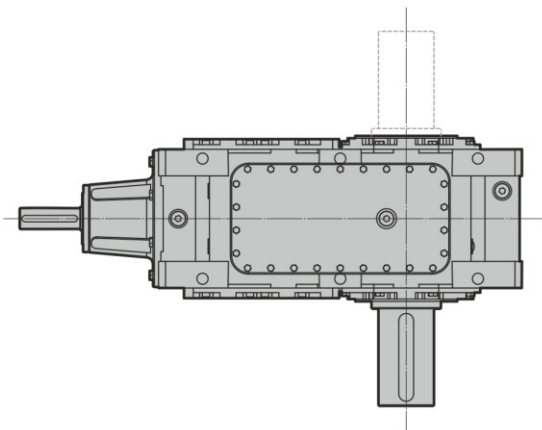
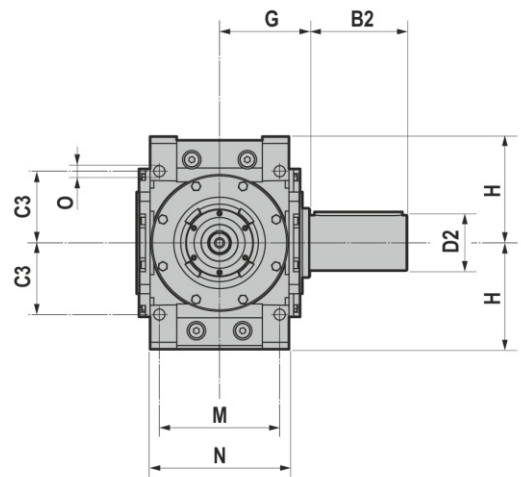
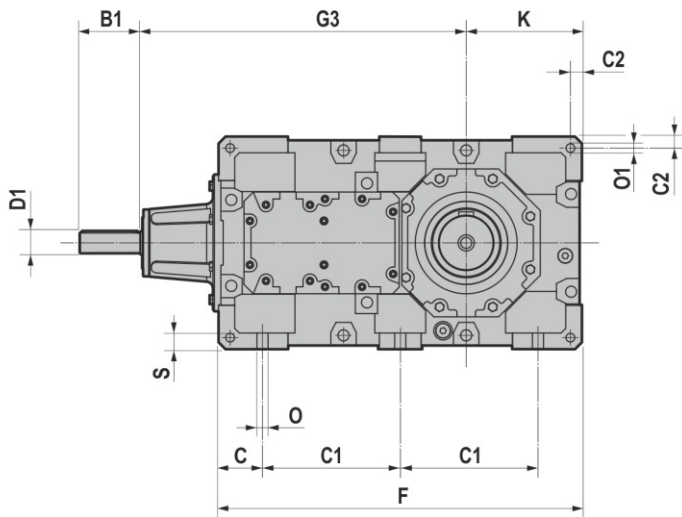
3.1 REDUCERS/GEARED MOTORS

P4Z	D2	B2	C	C1	C2	C3	F	G	G1
219	120	210	95	327,5	25	155	845	195	180
249	130	250	105	375	35	180	960	195	180
269	140	250	105	400	30	195	1005	235	215
279	160	300	117,5	432,5	40	210	1100	235	215
319	170	300	127,5	472,5	30	220	1200	270	250
349	180	300	140	537,5	40	265	1355	270	250
399	200	350	115	597,5	95	300	1425	335	310
409	220	350	127,5	652,5	95	300	1560	335	310

P4Z	H	I	II	K	M	N	O	O1	S
219	230	495	80	250	260	300	24	24	35
249	280	540	80	315	260	300	24	28	40
269	280	585	90	300	320	370	28	28	40
279	320	630	90	350	320	370	28	32	40
319	320	705	110	345	370	430	35	32	50
349	400	775	110	430	370	430	35	32	50
399	440	850	130	405	475	550	35	35	60
409	440	915	130	475	475	550	35	35	60

P4Z	i	D1	B1
219	87,8 - 161	30	80
	188 - 224	25	70
	243 - 318	20	50
249	111 - 204	30	80
	238 - 284	25	70
	308 - 403	20	50
269	96,5 - 183	35	80
	202 - 268	30	80
	291 - 339	25	70
279	119 - 226	35	80
	250 - 332	30	80
	360 - 419	25	70
319	87,4 - 160	45	90
	192 - 242	35	80
	273 - 314	30	80
349	112 - 206	45	90
	247 - 312	35	80
	350 - 404	30	80
399	97,1 - 173	55	100
	209 - 256	45	90
	277 - 319	40	80
409	117 - 210	55	100
	252 - 310	45	90
	335 - 386	40	80

3.1.4 B3Z



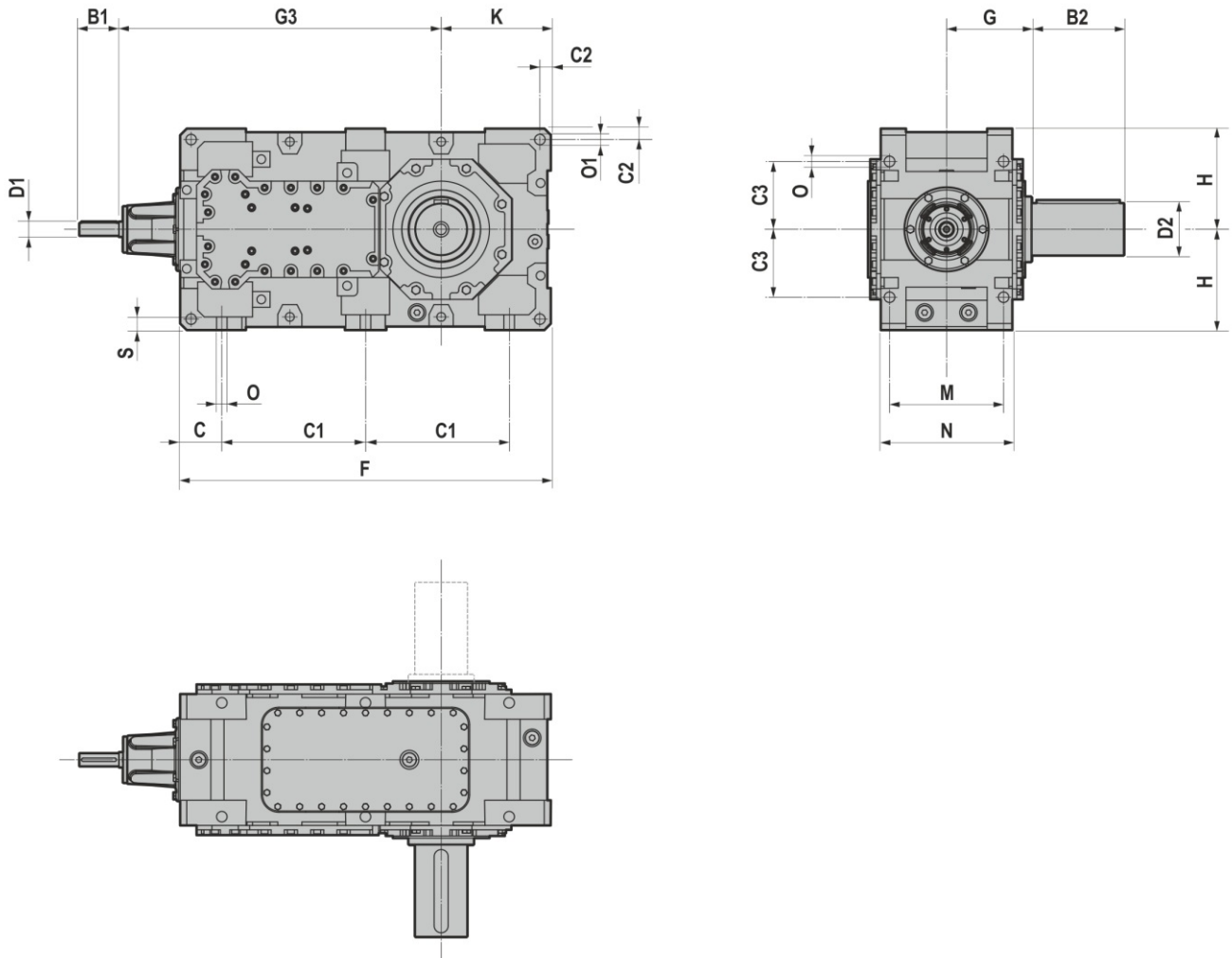
3.1 REDUCERS/GEARED MOTORS

B3Z	D2	B2	C	C1	C2	C3	F	G
179	100	210	75	245	22,5	137,5	640	165
199	110	210	80	280	22,2	150	720	165
219	120	210	95	297,5	25	155	785	195
249	130	250	105	340	30	180	890	195
269	140	250	105	360	30	195	930	235
279	160	300	117,5	395	35	210	1025	235
319	170	300	127,5	425	35	220	1105	270
349	180	300	140	490	40	265	1260	270
399	220	350	115	545	95	300	1320	335
409	220	350	127,5	600	95	300	1455	335

B3Z	G3	H	K	M	N	O	O1	S
179	585	200	205	220	255	19	19	28
199	620	230	250	220	255	19	19	30
219	705	230	250	260	300	24	24	40
249	750	280	310	260	300	24	28	35
269	815	280	300	320	370	28	28	40
279	860	320	350	320	370	28	32	40
319	970	320	345	370	430	35	32	50
349	1040	400	430	370	430	35	32	50
399	1155	440	405	475	550	35	35	60
409	1220	440	475	475	550	35	35	60

B3Z	i	D1	B1
179	13,3 - 35,0	35	100
	37,9 - 69,8	28	80
199	16,5 - 43,5	35	100
	47,1 - 86,6	28	80
219	12,0 - 28,2	45	130
	30,9 - 58,4	35	110
249	15,3 - 35,7	45	130
	39,2 - 74,0	35	110
269	12,3 - 31,2	55	130
	34,4 - 63,7	40	120
279	15,3 - 38,6	55	130
	42,5 - 78,8	40	120
319	12,1 - 32,1	70	160
	38,8 - 59,7	50	140
349	15,6 - 41,2	70	160
	49,8 - 76,8	50	140
399	12,7 - 29,2	80	165
	33,7 - 62,3	60	140
409	15,4 - 35,3	80	165
	40,8 - 75,4	60	140

3.1.5 B4Z



3.1 REDUCERS/GEARED MOTORS

B4Z	D2	B2	C	C1	C2	C3	F	G
219	120	210	95	327,5	25	155	845	195
249	130	250	105	375	35	180	960	195
269	140	250	105	400	30	195	1005	235
279	160	300	117,5	432,5	40	210	1100	235
319	170	300	127,5	472,5	30	220	1200	270
349	180	300	140	537,5	40	265	1355	270
399	200	350	115	597,5	95	300	1425	335
409	220	350	127,5	652,5	95	300	1560	335

B4Z	G3	H	K	M	N	O	O1	S
219	735	230	250	260	300	24	24	35
249	785	280	315	260	300	24	28	40
269	855	280	300	320	370	28	28	40
279	900	320	350	320	370	28	32	40
319	1025	320	345	370	430	35	32	50
349	1095	400	430	370	430	35	32	50
399	1210	440	405	475	550	35	35	60
409	1275	440	475	475	550	35	35	60

B4Z	i	D1	B1
219	60,6 - 115	30	90
	128 - 330	25	80
249	76,8 - 146	30	90
	162 - 419	25	80
269	79,0 - 138	35	100
	149 - 348	28	80
279	97,8 - 170	35	100
	184 - 431	28	80
319	63,0 - 109	45	130
	120 - 320	35	110
349	81,0 - 140	45	130
	154 - 412	35	110
399	70,5 - 121	55	130
	123 - 327	40	120
409	85,2 - 146	55	130
	149 - 396	40	120

3.2 WEIGHTS

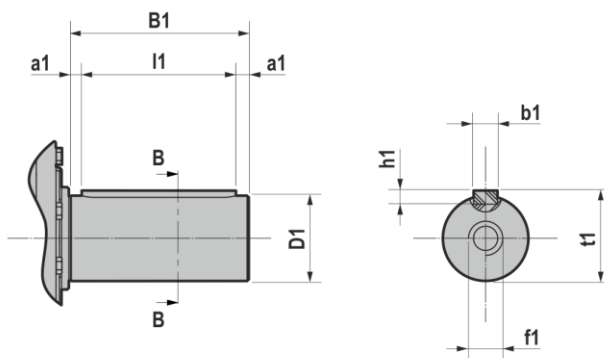
The values reported in the tables are referred to the weight of the gearbox without lubricant.

PZ	[- kg]		
	P2Z	P3Z	P4Z
179	260	280	-
199	330	350	-
219	510	550	560
249	580	620	630
269	740	820	835
279	940	1000	1020
319	1200	1300	1315
349	1620	1710	1740
399	2510	2710	2760
409	2750	2950	3030

BZ	[- kg]	
	B3Z	B4Z
179	270	-
199	340	-
219	530	570
249	600	640
269	770	850
279	970	1035
319	1240	1340
349	1670	1765
399	2700	2800
409	3060	3100

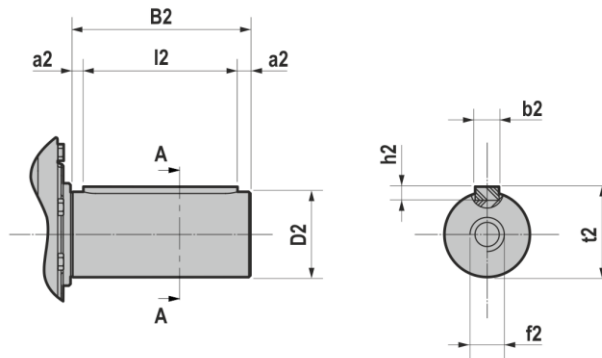
3.3 SHAFT END

3.3.1 Input shaft end



D1	B1	b1	t1	f1	b1xh1xl1	a1
25 k6	70	8	28	M10	8x7x60	5
25 k6	80	8	28	M10	8x7x70	5
28 k6	80	8	31	M10	8x7x70	5
30 k6	80	8	33	M10	8x7x70	5
30 k6	90	8	33	M10	8x7x80	5
35 k6	80	10	38	M12	10x8x70	5
35 k6	90	10	38	M12	10x8x80	5
35 k6	100	10	38	M12	10x8x90	5
35 k6	110	10	38	M12	10x8x100	5
40 k6	80	12	43	M16	12x8x70	5
40 k6	100	12	43	M16	12x8x90	5
40 k6	120	12	43	M16	12x8x100	10
45 k6	90	14	48,5	M16	14x9x80	5
45 k6	100	14	48,5	M16	14x9x90	5
45 k6	110	14	48,5	M16	14x9x100	5
45 k6	130	14	48,5	M16	14x9x110	10
50 k6	110	14	53,5	M16	14x9x100	5
50 k6	130	14	53,5	M16	14x9x110	10
50 k6	140	14	53,5	M16	14x9x120	10
55 m6	100	16	59	M20	16x10x90	5
55 m6	120	16	59	M20	16x10x100	10
55 m6	130	16	59	M20	16x10x110	10
60 m6	140	18	64	M20	18x11x120	10
65 m6	120	18	69	M20	18x11x100	10
65 m6	140	18	69	M20	18x11x120	10
70 m6	130	20	74,5	M20	20x12x110	10
70 m6	140	20	74,5	M20	20x12x120	10
70 m6	160	20	74,5	M20	20x12x130	15
80 m6	140	22	85	M20	22x14x120	10
80 m6	160	22	85	M20	22x14x130	15
80 m6	165	22	85	M20	22x14x140	12,5
85 m6	170	22	90	M20	22x14x140	15
95 m6	160	25	100	M24	25x14x130	15
100 m6	205	28	106	M24	28x16x170	17,5

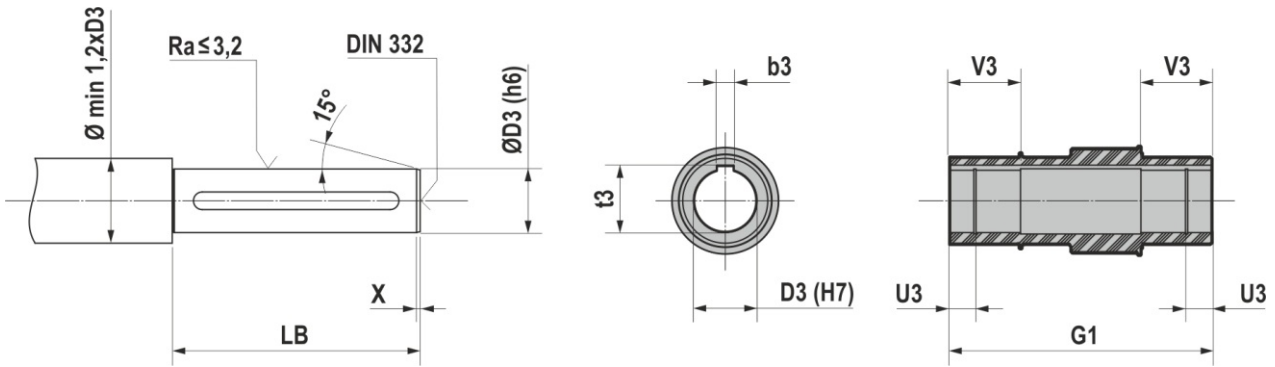
3.3.2 Output shaft end



PZ-BZ	D2 (m6)	B2	b2	t2	f2	b2xh2xl2	a2
179	100	210	28	106	M24	28x16x180	15
199	110	210	28	116	M24	28x16x180	15
219	120	210	32	127	M24	32x18x180	15
249	130	250	32	137	M24	32x18x200	25
269	140	250	36	148	M30	36x20x200	25
279	160	300	40	169	M30	40x22x240	30
319	170	300	40	179	M30	40x22x240	30
349	180	300	45	191	M30	45x25x240	30
399	200	350	45	211	M30	45x25x270	40
409	220	350	50	231	M30	50x25x270	40

Dimension also valid for double output shaft version.

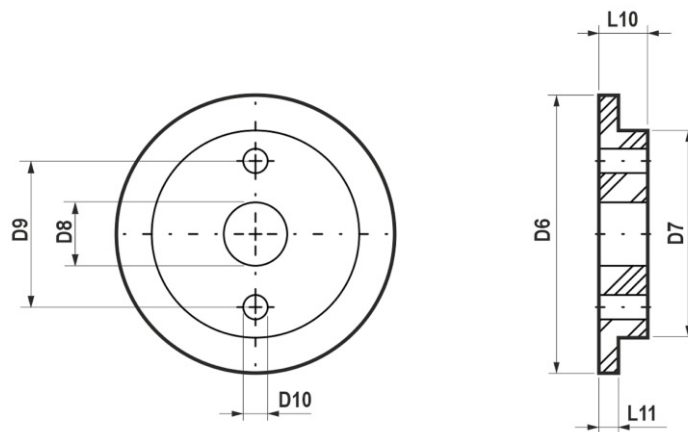
4.1.1 Hollow output shaft with keyway



PZ - BZ	D3 (H7/h6)	b3	t3	G1	U3	V3	LB	X
179	95	25	100,4	330	12	110	301	5
199	105	28	111,4	330	12	110	301	5
219	115	32	122,4	390	12	130	361	5
249	125	32	132,4	390	12	130	361	5
269	135	36	143,4	470	15	160	436	6
279	150	36	158,4	470	15	160	436	6
319	165	40	174,4	540	15	180	505	7
349	180	45	190,4	540	15	180	505	7
399	190	45	200,4	670	20	220	626	8
409	210	50	221,4	670	20	220	626	8

Assembling/disassembling kit

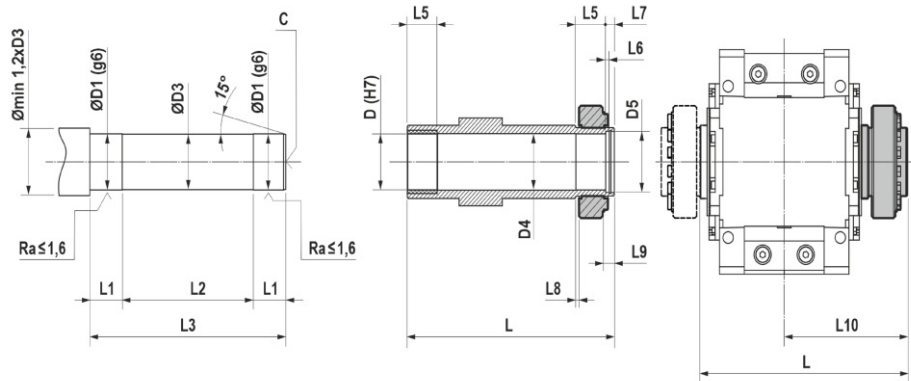
On request it is possible to supply assembling/disassembling kit.



PZ - BZ	D6	D7	D8	D9	D10	L10	L11
179	94	75	26	55	M10	20	8
199	104	80	26	55	M10	20	8
219	114	85	26	60	M12	20	8
249	124	95	26	65	M12	20	8
269	134	105	33	80	M12	23	10
279	149	120	33	90	M12	23	10
319	164	130	33	90	M16	23	10
349	179	140	33	100	M16	23	10
399	189	160	33	120	M20	25	12
409	209	170	33	130	M20	25	12

4.1.2 Hollow output shaft with shrink disc

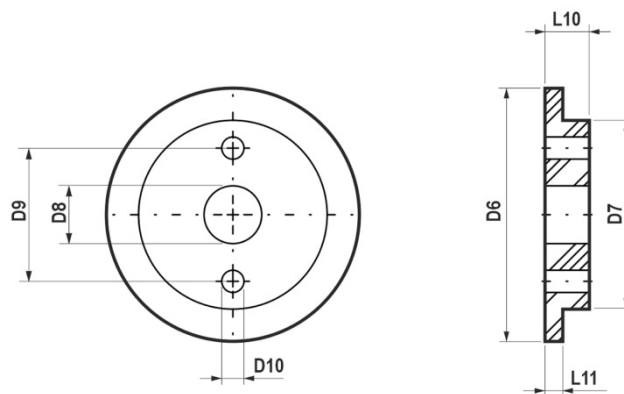
Clean and degrease the surfaces of the shaft to be fitted to. Comply with the indicated tightening torque of screws (M_T).



PZ-BZ	D (H7)	D1 (g6)	D2	D3	D4	D5	L	L1	L2	L3	L5	L6	L7	L8	L9	L10	C	M_T 10.9 [Nm]
179	95	95	114	94	96	105	409	60	263	383	55	8,5	20,5	6	20	244	M24	59
199	105	105	126	104	106	115	414	65	258	388	60	8,5	20,5	6	20	249	M24	100
219	115	115	138	114	116	125	480	75	304	454	70	85	20,5	8	23	285	M24	100
249	125	125	150	124	126	135	490	80	297	457	75	8,5	20,5	8	23	288	M24	100
269	135	135	162	134	136	145	574	95	355	545	85	10,5	23,5	8	28	339	M30	100
279	150	150	180	149	151	160	591	105	352	562	95	10,5	23,5	8	28	354,5	M30	100
319	165	165	198	164	166	175	684	115	425	655	105	10,5	23,5	-	30	414	M30	250
349	180	180	216	179	181	190	689	135	389	659	125	10,5	23,5	10	30	419	M30	490
399	190	190	228	189	191	200	839	140	514	804	130	12,5	27,5	-	30	504	M30	490
409	210	210	252	209	211	220	850	140	534	814	130	12,5	27,5	12	36	515	M30	490

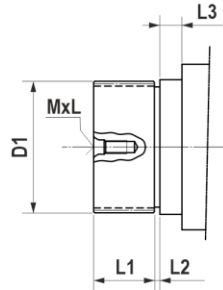
Assembling/disassembling kit

On request it is possible to supply assembling/disassembling kit.



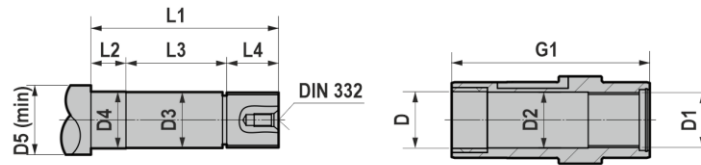
PZ - BZ	D6	D7	D8	D9	D10	L10	L11
179	104	75	26	55	M10	20	8
199	114	80	26	55	M10	20	8
219	124	85	26	60	M12	20	8
249	134	95	26	65	M12	20	8
269	144	105	33	80	M12	23	10
279	159	120	33	90	M12	23	10
319	174	130	33	90	M16	23	10
349	189	140	33	100	M16	23	10
399	199	160	33	120	M20	25	12
409	219	170	33	130	M20	25	12

4.1.3 Splined output shaft



PBZ	D1 (DIN5480)	L1	L2	L3	MxL
179	W100x4x30x24x8f	70	8	20	M24x52
199	W110x4x30x26x8f	70	8	20	M24x52
219	W120x4x30x28x8f	75	8	20	M24x52
249	W130x4x30x31x8f	85	10	30	M24x52
269	W130x4x30x31x8f	85	10	30	M24x52
279	W150x4x30x36x8f	110	12	38	M30x67
319	W150x4x30x36x8f	110	12	38	M30x67
349	W180x5x30x34x8f	138	12	30	M30x67
399	W200x8x30x24x8f	150	14	36	M30x67
409	W200x8x30x24x8f	150	14	36	M30x67

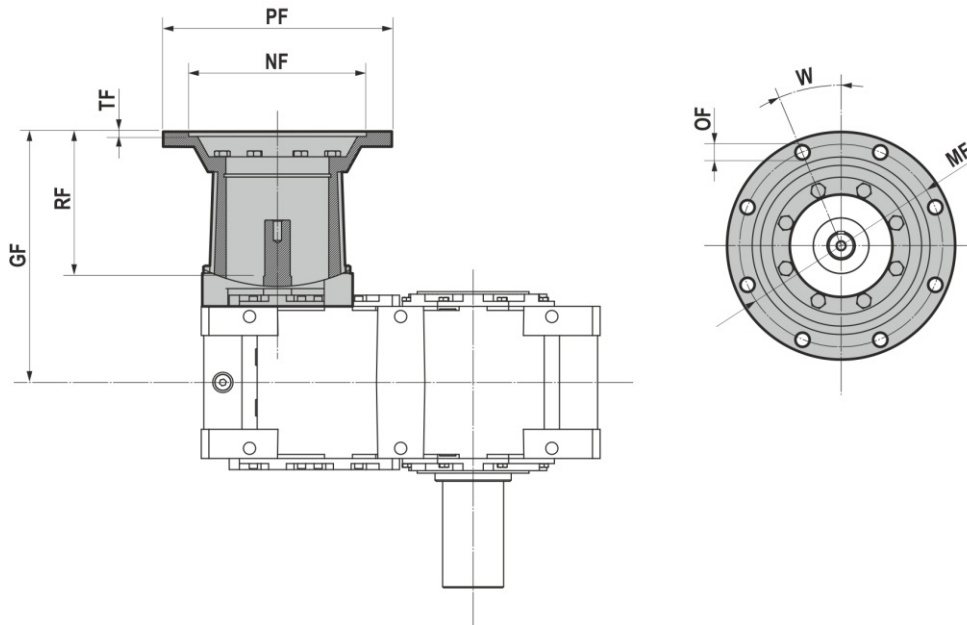
4.1.4 Splined hollow shaft



PBZ	D1 (DIN 5480)	D (H7)	D2	D3	D4 (m6)	D5 (min)	G1	L1	L2	L3	L4
179	N90x3x30x28x9H	95	92	91	95	105	330	313	54,5	178	80,5
199	N100x4x30x24x9H	105	106	104	105	115	330	313	59,5	173	80,5
219	N110x3x30x35x9H	115	116	114	115	125	390	369,5	69,5	199	101
249	N120x4x30x28x9H	125	122	118	125	135	390	355	74,5	165	115,5
269	N130x4x30x31x9H	135	133	132	135	145	470	445	84,5	239	121,5
279	N150x4x30x36x9H	150	152	151	150	160	470	444	94,5	228	121,5
319	N150x4x30x36x9H	165	162	160	165	175	540	516,5	94,5	251,5	170
349	N180x5x30x34x9H	185	182	181	185	195	540	505	94,5	240	170
399	N200x8x30x24x9H	210	205	203	210	220	540	642	129,5	342,5	170

4.2 INPUT FLANGES

4.2.1 Motor mounting flanges - PZ



P2Z	IEC (B5)	i	PF	MF	NF H7	GF	TF	RF	OF	W
179	180	16,8 - 20,9	350	300	250	412,5	8	217,5	19 (n° 4)	45°
	200	13,7 - 20,9	400	350	300	412,5	7	217,5	19 (n° 4)	45°
	225	9,64 - 19,2	450	400	350	442,5	8	247,5	19 (n° 8)	22°30'
	250	6,37 - 15,6	550	500	450	442,5	8	247,5	19 (n° 8)	22°30'
199	180	20,9 - 26,0	350	300	250	412,5	8	217,5	19 (n° 4)	45°
	200	17,0 - 26,0	400	350	300	412,5	7	217,5	19 (n° 4)	45°
	225	12,0 - 22,6	450	400	350	442,5	8	247,5	19 (n° 8)	22°30'
	250	7,91 - 19,3	550	500	450	442,5	8	315	19 (n° 8)	22°30'
219	225	16,1 - 18,9	450	400	350	495	8	285	19 (n° 8)	22°30'
	250	12,7 - 18,9	550	500	450	495	8	285	19 (n° 8)	22°30'
	280	6,28 - 17,4	550	500	450	495	8	285	19 (n° 8)	22°30'
	315	6,28 - 14,7	660	600	550	495	8	315	19 (n° 8)	22°30'
249	225	20,4 - 24,0	450	400	350	495	8	285	19 (n° 8)	22°30'
	250	18,6 - 24,0	550	500	450	495	8	285	19 (n° 8)	22°30'
	280	7,96 - 22,1	550	500	450	495	8	285	19 (n° 8)	22°30'
	315	7,96 - 18,6	660	600	550	525	8	315	19 (n° 8)	22°30'
269	280	14,2 - 20,7	550	500	450	525	8	285	19 (n° 8)	22°30'
	315	6,44 - 18,9	660	600	550	555	8	315	24 (n° 8)	22°30'
279	280	17,5 - 25,6	550	500	450	525	8	285	19 (n° 8)	22°30'
	315	7,96 - 23,4	660	600	550	555	8	315	24 (n° 8)	22°30'
319	315	6,33 - 20,5	660	600	550	610	8	335	24 (n° 8)	22°30'
349	315	8,14 - 26,3	660	600	550	610	8	335	24 (n° 8)	22°30'

4.2 INPUT FLANGES

P3Z	IEC (B5)	i	PF	MF	NF H7	GF	TF	RF	OF	W
179	132	51,4 - 86,2	300	265	230	342,5	8	182,5	19 (n° 4)	45°
	160	28,0 - 79,8	350	300	250	357,5	8	197,5	19 (n° 4)	45°
	180	24,5 - 51,4	350	300	250	357,5	8	197,5	19 (n° 4)	45°
	200	24,5 - 32,1	400	350	300	357,5	7	197,5	19 (n° 4)	45°
	225	24,5 - 28,0	450	400	350	385,5	8	225,5	19 (n° 8)	22°30'
	250	24,5 - 28,0	550	500	450	387,5	8	227,5	19 (n° 8)	22°30'
199	132	63,9 - 107	300	265	230	342,5	8	182,5	19 (n° 4)	45°
	160	34,8 - 99,1	350	300	250	357,5	8	197,5	19 (n° 4)	45°
	180	30,5 - 57,7	350	300	250	357,5	8	197,5	19 (n° 4)	45°
	200	30,5 - 39,8	400	350	300	357,5	7	197,5	19 (n° 4)	45°
	225	30,5 - 34,8	450	400	350	385,5	8	225,5	19 (n° 8)	22°30'
	250	30,5	550	500	450	387,5	8	227,5	19 (n° 8)	22°30'
219	160	57,8 - 81,3	350	300	250	400	8	215	19 (n° 4)	45°
	180	38,3 - 81,3	350	300	250	400	8	215	19 (n° 4)	45°
	200	28,7 - 62,7	400	350	300	400	7	215	19 (n° 4)	45°
	225	22,6 - 41,5	450	400	350	428	8	243	19 (n° 8)	22°30'
	250	22,6 - 33,0	550	500	450	430	8	245	19 (n° 8)	22°30'
249	160	73,3 - 103	350	300	250	400	8	215	19 (n° 4)	45°
	180	48,6 - 103	350	300	250	400	8	215	19 (n° 4)	45°
	200	36,4 - 79,4	400	350	300	400	7	215	19 (n° 4)	45°
	225	28,6 - 63,1	450	400	350	428	8	243	19 (n° 8)	22°30'
	250	28,6 - 41,9	550	500	450	430	8	245	19 (n° 8)	22°30'
269	180	61,2 - 82,3	350	300	250	470	8	240	19 (n° 4)	45°
	200	41,1 - 82,3	400	350	300	470	7	240	19 (n° 4)	45°
	225	28,1 - 71,5	450	400	350	500	8	270	19 (n° 8)	22°30'
	250	25,1 - 53,9	550	500	450	500	8	270	19 (n° 8)	22°30'
	280	25,1 - 37,9	550	500	450	500	8	270	19 (n° 8)	22°30'
	315	25,1 - 28,1	660	600	550	530	8	300	24 (n° 8)	22°30'
279	180	75,7 - 102	350	300	250	470	8	240	19 (n° 4)	45°
	200	50,9 - 102	400	350	300	470	7	240	19 (n° 4)	45°
	225	34,8 - 88,5	450	400	350	500	8	270	19 (n° 8)	22°30'
	250	31,0 - 66,6	550	500	450	500	8	270	19 (n° 8)	22°30'
	280	31,0 - 46,9	550	500	450	500	8	270	19 (n° 8)	22°30'
	315	31,0 - 34,8	660	600	550	530	8	300	24 (n° 8)	22°30'
319	225	56,8 - 73,2	450	400	350	560	8	305	19 (n° 8)	22°30'
	250	42,4 - 73,2	550	500	450	580	8	305	19 (n° 8)	22°30'
	280	28,2 - 67,4	550	500	450	580	8	305	19 (n° 8)	22°30'
	315	24,3 - 49,1	660	600	550	590	8	335	24 (n° 8)	22°30'
349	225	73,0 - 94,1	450	400	350	560	8	305	19 (n° 8)	22°30'
	250	54,5 - 94,1	550	500	450	580	8	305	19 (n° 8)	22°30'
	280	36,2 - 86,6	550	500	450	580	8	305	19 (n° 8)	22°30'
	315	31,2 - 63,1	660	600	550	590	8	335	24 (n° 8)	22°30'

4.2 INPUT FLANGES

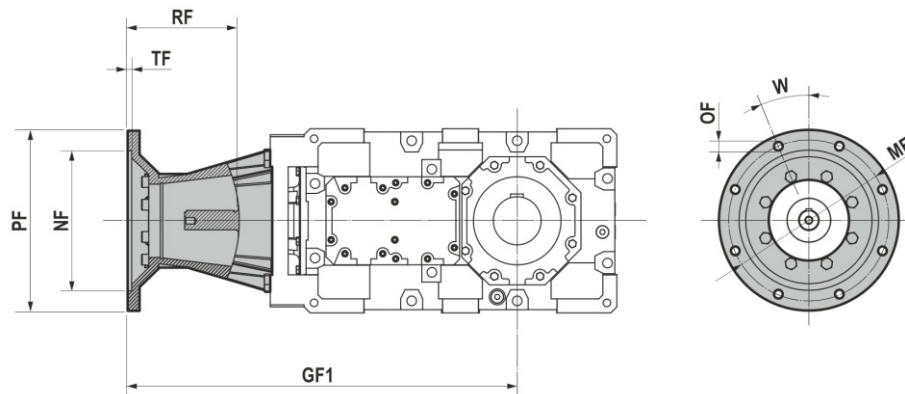
P4Z	IEC (B5)	i	PF	MF	NF H7	GF	TF	RF	OF	W
219	132	121 - 318	300	265	230	360	8	180	19 (n° 4)	45°
	160	87,8 - 188	350	300	250	375	8	195	19 (n° 4)	45°
	180	87,8 - 106	350	300	250	375	8	195	19 (n° 4)	45°
249	132	134 - 403	300	265	230	360	8	180	19 (n° 4)	45°
	160	111 - 204	350	300	250	375	8	195	19 (n° 4)	45°
	180	111 - 134	350	300	250	375	8	195	19 (n° 4)	45°
269	132	169 - 339	300	265	230	400	8	185	19 (n° 4)	45°
	160	96,5 - 291	350	300	250	415	8	200	19 (n° 4)	45°
	180	96,5 - 169	350	300	250	415	8	200	19 (n° 4)	45°
	200	96,5 - 110	400	350	300	415	7	200	19 (n° 4)	45°
279	225	96,53	450	400	350	443	8	228	19 (n° 8)	22°30'
	132	209 - 419	300	265	230	400	8	185	19 (n° 4)	45°
	160	119 - 332	350	300	250	415	8	200	19 (n° 4)	45°
	180	119 - 209	350	300	250	415	8	200	19 (n° 4)	45°
	200	119 - 136	400	350	300	415	7	200	19 (n° 4)	45°
319	225	119	450	400	350	443	8	228	19 (n° 8)	22°30'
	160	160 - 314	350	300	250	455	8	205	19 (n° 4)	45°
	180	111 - 314	350	300	250	455	8	205	19 (n° 4)	45°
	200	87,4 - 160	400	350	300	455	7	205	19 (n° 4)	45°
	225	87,4 - 148	450	400	350	483	8	233	19 (n° 8)	22°30'
349	250	87,4 - 97,0	550	500	450	485	8	235	19 (n° 8)	22°30'
	160	206 - 404	350	300	250	455	8	205	19 (n° 4)	45°
	180	143 - 374	350	300	250	455	8	205	19 (n° 4)	45°
349	200	112 - 247	400	350	300	455	8	205	19 (n° 4)	45°
	225	112 - 191	450	400	350	483	8	233	19 (n° 8)	22°30'
	250	112 - 125	550	500	450	485	8	235	19 (n° 8)	22°30'

PZ	[-kg]							
	IEC (B5)							
	132	160	180	200	225	250	280	315
P2Z 179	-	-	42	51	57	82	-	-
P3Z 179	38	39	39	48	54	79	-	-
P2Z 199	-	-	39	48	54	79	-	-
P3Z 199	38	39	39	48	54	79	-	-
P2Z 219	-	-	-	-	80	104	112	152
P3Z 219	-	64	64	68	80	104	-	-
P4Z 219	48	49	49	-	-	-	-	-
P2Z 249	-	-	-	-	65	89	97	137
P3Z 249	-	49	49	53	65	89	-	-
P4Z 249	55	56	56	-	-	-	-	-
P2Z 269	-	-	-	-	-	-	117	157
P3Z 269	-	-	69	73	85	109	117	157
P4Z 269	53	54	54	58	70	-	-	-
P2Z 279	-	-	-	-	-	-	102	142
P3Z 279	-	-	44	48	60	84	92	132
P4Z 279	63	64	64	68	80	-	-	-
P2Z 319	-	-	-	-	-	-	-	163
P3Z 319	-	-	-	-	91	81	123	163
P4Z 319	-	51	51	55	67	88	-	-
P2Z 349	-	-	-	-	-	-	-	139
P3Z 349	-	-	-	-	67	88	99	139
P4Z 349	-	51	51	55	67	88	-	-

4.2 INPUT FLANGES

PBZ

4.2.2 Motor mounting flanges - BZ



B3Z	IEC (B5)	i	PF	MF	NF H7	GF1	TF	RF	OF	W
179	132	60.6 - 69.8	300	265	230	785	8	200	15 (n° 4)	45°
	160	32.4 - 69.8	350	300	250	800	8	215	19 (n° 4)	45°
	180	21.8 - 56.0	350	300	250	800	8	215	19 (n° 4)	45°
	200	13.3 - 35.0	400	350	300	800	7	215	19 (n° 4)	45°
	225	13.3 - 28.5	450	400	350	828	8	245	19 (n° 8)	22°30'
	250	13.3 - 16.8	550	500	450	830	8	245	19 (n° 8)	22°30'
199	132	75.3 - 86.6	300	265	230	820	8	200	15 (n° 4)	45°
	160	40.3 - 86.6	350	300	250	835	8	215	19 (n° 4)	45°
	180	25.0 - 75.3	350	300	250	835	8	215	19 (n° 4)	45°
	200	16.5 - 43.5	400	350	300	835	7	215	19 (n° 4)	45°
	225	16.5 - 35.4	450	400	350	863	8	245	19 (n° 8)	22°30'
	250	16.5 - 20.9	550	500	450	865	8	245	19 (n° 8)	22°30'
219	160	53.7 - 58.4	350	300	250	950	8	245	19 (n° 4)	45°
	180	30.9 - 58.4	350	300	250	950	8	245	19 (n° 4)	45°
	200	24.3 - 58.4	400	350	300	950	7	245	19 (n° 4)	45°
	225	14.0 - 49.6	450	400	350	978	8	275	19 (n° 8)	22°30'
	250	12.0 - 28.2	550	500	450	980	8	275	19 (n° 8)	22°30'
249	160	68.1 - 74.0	350	300	250	995	8	245	19 (n° 4)	45°
	180	39.2 - 74.0	350	300	250	995	8	245	19 (n° 4)	45°
	200	35.7 - 74.0	400	350	300	995	7	245	19 (n° 4)	45°
	225	17.7 - 62.9	450	400	350	1023	8	275	19 (n° 8)	22°30'
	250	15.3 - 35.7	550	500	450	1025	8	275	19 (n° 8)	22°30'
269	180	58.2 - 63.7	350	300	250	1060	8	245	19 (n° 4)	45°
	200	50.1 - 63.7	400	350	300	1060	7	245	19 (n° 4)	45°
	225	34.4 - 63.7	450	400	350	1090	8	275	19 (n° 8)	22°30'
	250	27.1 - 58.2	550	500	450	1090	8	275	19 (n° 8)	22°30'
	280	12.3 - 43.7	550	500	450	1090	8	275	19 (n° 8)	22°30'
	315	12.3 - 31.2	660	600	550	1120	8	305	24 (n° 8)	22°30'
279	180	72.0 - 78.8	350	300	250	1105	8	245	19 (n° 4)	45°
	200	42.5 - 78.8	400	350	300	1105	7	245	19 (n° 4)	45°
	225	42.5 - 78.8	450	400	350	1135	8	275	19 (n° 8)	22°30'
	250	33.6 - 72.0	550	500	450	1135	8	275	19 (n° 8)	22°30'
	280	15.3 - 54.0	550	500	450	1135	8	275	19 (n° 8)	22°30'
	315	15.3 - 38.6	660	600	550	1165	8	305	24 (n° 8)	22°30'
319	225	55.3 - 59.7	450	400	350	1275	8	305	19 (n° 8)	22°30'
	250	38.8 - 59.7	550	500	450	1275	8	305	19 (n° 8)	22°30'
	280	29.7 - 59.7	550	500	450	1275	8	305	19 (n° 8)	22°30'
	315	12.1 - 48.8	660	600	550	1305	8	335	24 (n° 8)	22°30'
349	225	71.1 - 76.8	450	400	350	1345	8	305	19 (n° 8)	22°30'
	250	49.8 - 76.8	550	500	450	1345	8	305	19 (n° 8)	22°30'
	280	38.2 - 76.8	550	500	450	1345	8	305	19 (n° 8)	22°30'
	315	15.6 - 62.8	660	600	550	1375	8	335	24 (n° 8)	22°30'

4.2 INPUT FLANGES

B4Z	IEC (B5)	i	PF	MF	NF H7	GF1	TF	RF	OF	W
219	132	128 - 323	300	265	230	925	8	190	15 (n° 4)	45°
	160	70.3 - 193	350	300	250	940	8	205	19 (n° 4)	45°
	180	60.6 - 115	350	300	250	940	8	205	19 (n° 4)	45°
249	132	162 - 410	300	265	230	970	8	190	15 (n° 4)	45°
	160	89.1 - 245	350	300	250	985	8	205	19 (n° 4)	45°
	180	76.8 - 146	350	300	250	985	8	205	19 (n° 4)	45°
269	132	204 - 348	300	265	230	1055	8	200	15 (n° 4)	45°
	160	112 - 292	350	300	250	1070	8	215	19 (n° 4)	45°
	180	79.0 - 204	350	300	250	1070	8	215	19 (n° 4)	45°
	200	79.0 - 112	400	350	300	1070	7	215	19 (n° 4)	45°
279	225	79.0 - 93.1	450	400	350	1098	8	245	19 (n° 8)	22°30'
	132	252 - 431	300	265	230	1100	8	200	15 (n° 4)	45°
	160	139 - 362	350	300	250	1115	8	215	19 (n° 4)	45°
	180	97.8 - 252	350	300	250	1115	8	215	19 (n° 4)	45°
	200	97.8 - 139	400	350	300	1115	7	215	19 (n° 4)	45°
319	225	97.8 - 115	450	400	350	1143	8	245	19 (n° 8)	22°30'
	160	188 - 320	350	300	250	1270	8	245	19 (n° 4)	45°
	180	120 - 320	350	300	250	1270	8	245	19 (n° 4)	45°
	200	94.1 - 223	400	350	300	1270	7	245	19 (n° 4)	45°
	225	63 - 151	450	400	350	1368	8	275	19 (n° 8)	22°30'
349	250	63 - 109	550	500	450	1370	8	275	19 (n° 8)	22°30'
	160	242 - 412	350	300	250	1340	8	245	19 (n° 4)	45°
	180	154 - 412	350	300	250	1340	8	245	19 (n° 4)	45°
	200	121 - 242	400	350	300	1340	7	245	19 (n° 4)	45°
349	225	81.0 - 195	450	400	350	1438	8	275	19 (n° 8)	22°30'
	250	81.0 - 140	550	500	450	1440	8	275	19 (n° 8)	22°30'

BZ	[-kg]							
	IEC (B5)							
	132	160	180	200	225	250	280	315
B3Z 179	63	64	64	73	79	104	-	-
B3Z 199	98	99	99	108	114	139	-	-
B3Z 219	-	74	74	78	90	114	-	-
B4Z 219	48	49	49	-	-	-	-	-
B3Z 249	-	55	55	59	71	95	-	-
B4Z 249	53	54	54	-	-	-	-	-
B3Z 269	-	-	79	83	95	119	127	167
B4Z 269	98	99	99	103	115	-	-	-
B3Z 279	-	-	99	103	115	139	147	190
B4Z 279	98	99	99	103	115	-	-	-
B3Z 319	-	-	-	-	115	136	147	190
B4Z 319	-	109	109	113	125	146	-	-
B3Z 349	-	-	-	-	150	171	182	225
B4Z 349	-	119	119	123	135	166	-	-

4.3.1 Cooling and heating unit

On request the gear reducer can be supplied with:

- Cooling coil;
- Cooling fan;
- Air-oil or water-oil cooling unit;
- Oil heater.

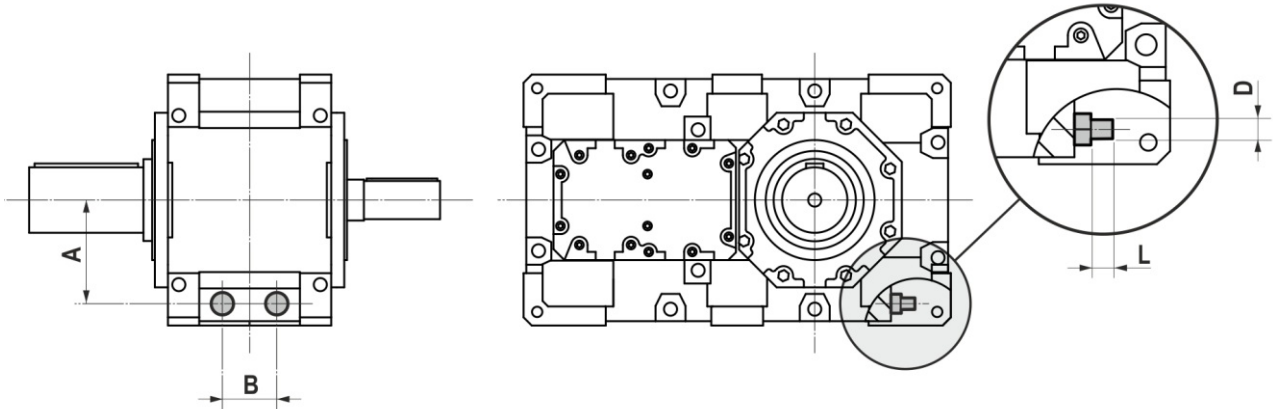
4.3.2 Lubrication and monitoring unit

On request the gear reducer can be supplied with:

- Bearings lubrication pump;
- Bearings lubrication motor pump;
- Pressure switch;
- Oil temperature sensor and bearing temperature sensor PT100;
- Oil Expansion tank.

4.3 DEVICES

4.3.3 Cooling coil



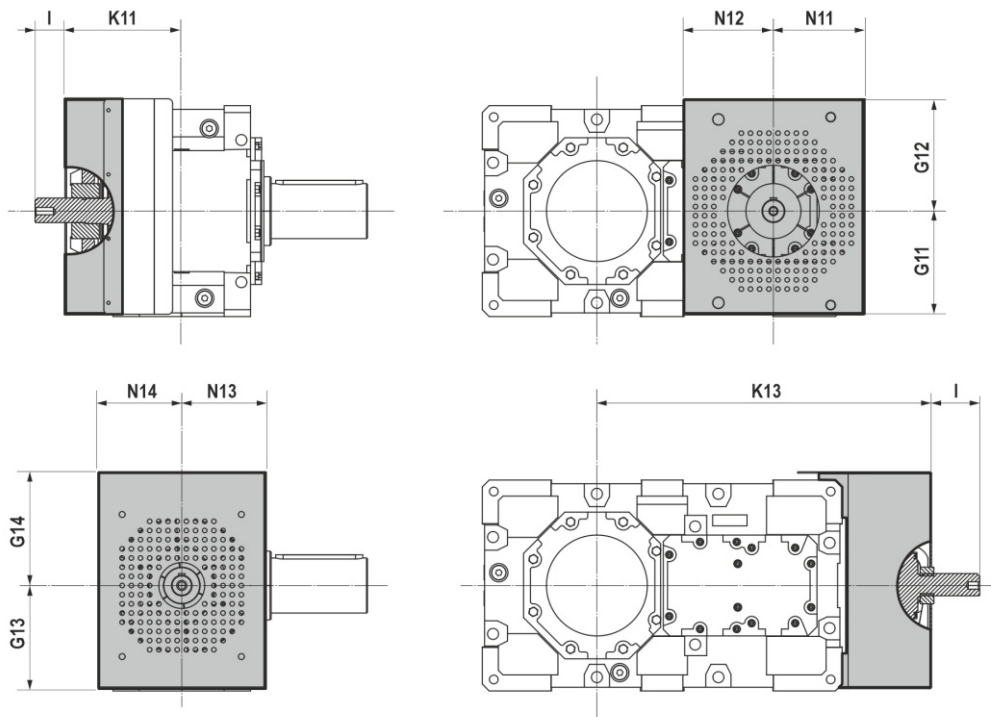
PZ-BZ	A	B	D	L
179	164	70	G 1/2"	17
199	192	70	G 1/2"	15
219	193	90	G 1/2"	25
249	193	90	G 1/2"	20
269	236	120	G 3/4"	35
279	276	120	G 3/4"	35
319	277	140	G 3/4"	30
349	350	140	G 3/4"	23
399	382	200	G 3/4"	32
409	382	200	G 3/4"	32

PZ-BZ	Flow Rate (lt/min)	Max. Water Inlet Temperature °C
179-249	4...6	20
269-409	8...10	20

4.3 DEVICES

PBZ

4.3.4 Cooling fan



PZ	P2Z					P3Z				
	G11	G12	K11	N11	N12	G11	G12	K11	N11	N12
179	197	215	230	175	175	197	215	220	175	175
199	227	245	230	175	175	227	245	230	175	175
219	225	245	255	197	197	225	245	255	197	197
249	274	300	255	210	210	274	300	255	210	210
269	272	295	285	238	238	272	295	285	238	238
279	312	328	285	238	238	312	328	285	238	238
319	312	340	325	285	285	312	340	325	265	265
349	390	415	325	285	285	390	415	325	285	285
399	430	450	420	315	315	430	450	420	315	315
409	430	450	420	315	315	430	450	420	315	315

BZ	B3Z					B4Z				
	G13	G14	K13	N13	N14	G13	G14	K13	N13	N14
179	198	223	608	160	160	-	-	-	-	-
199	210,5	235,5	643	160	160	-	-	-	-	-
219	225	248	730	183	183	225	248	840	183	183
249	275	298	775	183	183	275	298	885	183	183
269	275	298	863	238	238	275	298	993	238	238
279	315	338	908	238	238	315	338	1038	238	238
319	315	338	1020	275	275	315	338	1180	275	275
349	390	420	1090	275	275	390	420	1250	275	275
399	430	458	1210	320	320	430	458	1345	320	320
409	428	460	1285	320	320	428	460	1470	320	320

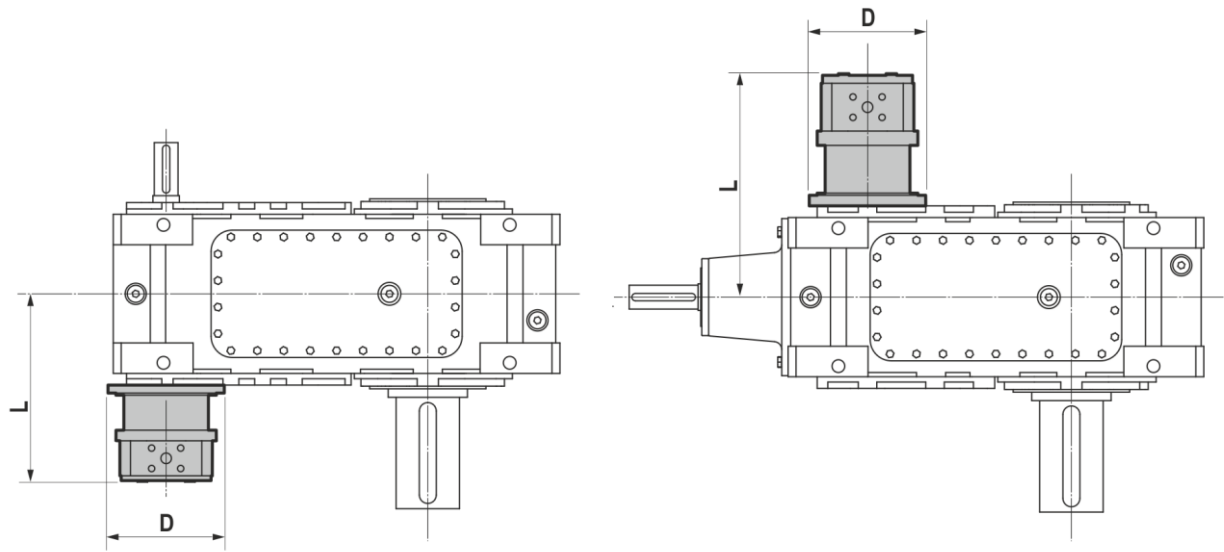
4.3 DEVICES

	P2Z	I	P3Z	I
179	6,37-11,37	65	24,54-42,91	20
	13,69-16,79	55	46,42-68,22	20
	18,19-20,93	45	73,88-86,20	10
199	7,91-14,12	65	30,48-53,29	10
	17,00-20,85	55	57,66-84,72	10
	22,59-25,99	55	91,76-107,05	0
219	6,28-10,03	95	22,59-41,46	150
	10,95-14,68	55	49,76-62,65	140
	16,10-18,93	65	70,49-81,25	140
249	7,96-12,72	95	28,64-52,57	60
	13,88-18,62	55	63,09-79,44	50
	20,41-24,00	65	89,37-103,02	50
269	6,44-11,14	95	25,06-44,71	40
	12,03-16,26	75	53,85-66,05	30
	17,45-20,65	55	71,53-82,31	20
279	7,96-13,79	95	31,01-55,32	65
	14,89-20,12	75	66,63-81,72	55
	21,60-25,55	55	88,51-101,84	45
319	6,33-11,55	110	24,28-38,80	90
	13,29-15,52	90	42,35-56,79	80
	16,73-20,48	80	62,26-73,22	60
349	8,14-14,85	110	31,22-49,89	90
	17,09-19,95	90	54,45-73,01	50
	21,52-26,33	80	80,05-94,14	60
399	6,62-10,94	115	24,94-43,18	50
	12,27-17,20	80	46,62-63,00	30
	18,60-20,21	80	67,63-80,02	10
409	8,01-13,24	115	30,17-52,24	50
	14,84-20,80	80	56,40-76,21	30
	22,50-24,44	80	81,82-96,80	10

	B3Z	I	B4Z	I
179	13,28-34,98	72	-	-
	37,89-69,75	52	-	-
199	16,49-43,45	72	-	-
	47,06-86,63	52	-	-
219	12,03-28,15	100	60,57-114,86	38
	30,94-58,38	80	127,84-330,42	28
249	15,26-35,68	100	76,80-145,63	38
	39,22-74,01	80	162,08-418,92	28
269	12,34-31,16	80	79,03-137,60	72
	34,36-63,67	70	149,03-348,47	52
279	15,26-38,55	80	97,78-170,25	72
	42,52-78,78	80	184,39-431,16	52
319	12,14-32,07	105	63,03-108,84	60
	38,76-59,72	85	119,64-320,17	40
349	15,61-41,24	105	81,04-139,94	60
	49,83-76,78	85	153,82-411,64	40
399	12,69-29,21	100	70,46-120,75	82
	33,74-62,30	75	123,36-327,07	72
409	15,35-35,34	100	85,23-146,07	82
	40,81-75,36	75	149,23-395,65	72

Cooling fan is suitable in case of ambient temperature up to +40°C.

4.3.5 Bearings lubrication pump

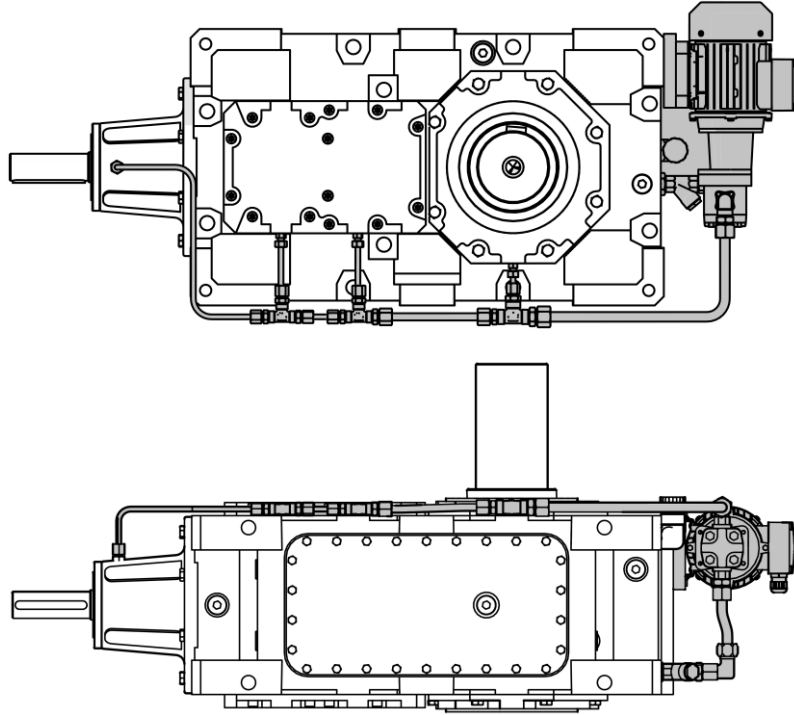


	D	L
PZ 179	170	330
PZ 199	170	330
PZ 219	220	355
PZ 249	220	355
PZ 269	260	393
PZ 279	260	393
PZ 319	290	428
PZ 349	290	428
PZ 399	360	489
PZ 409	360	489

	D	L
BZ 179	170	396
BZ 199	170	396
BZ 219	220	421
BZ 249	220	421
BZ 269	260	459
BZ 279	260	459
BZ 319	290	494
BZ 349	290	494
BZ 399	360	555
BZ 409	360	555

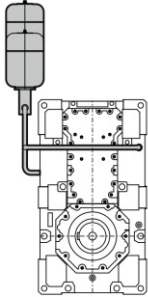
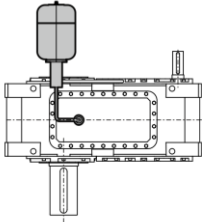
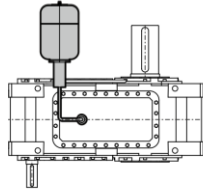
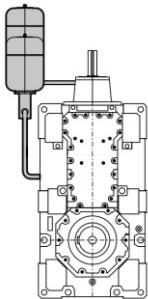
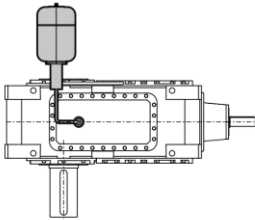
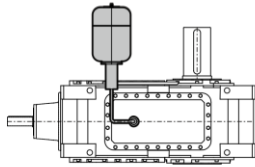
Mechanical pump for bearing lubrication supplied mounted on the gear reducer (eg. mounting position V5). It is essential that while ordering you specify the direction of free rotation of the output shaft.

4.3.6 Bearings lubrication motor pump



Motor pump for bearing lubrication supplied already mounted on the gear reducer (example for mounting position V6).
For the overall dimensions, contact MOTOVARIO TECHNICAL SERVICE.

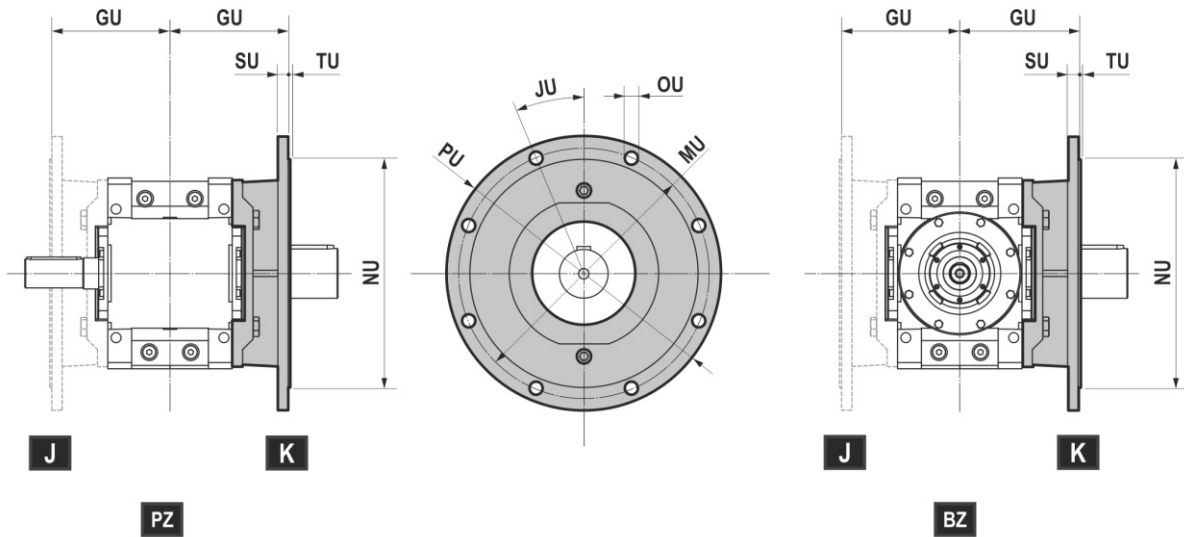
4.3.7 Oil expansion tank

PZ		
B6	V5	V6
		
BZ		
B6	V5	V6
		

For the overall dimensions, contact MOTOVARIO TECHNICAL SERVICE.

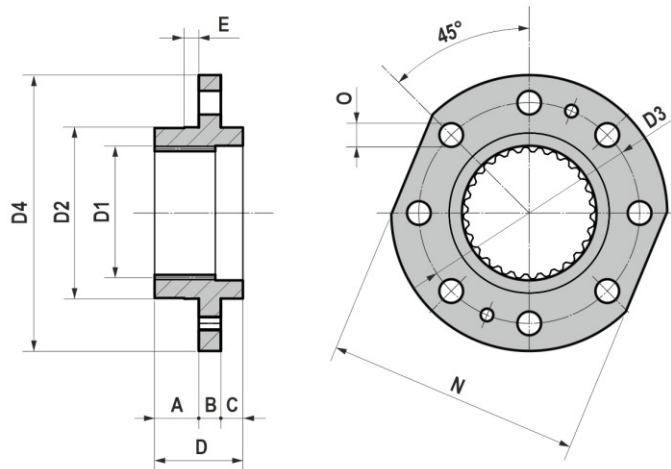
4.4.1 Output flange

Unless otherwise specified, gear reducers are supplied with the flange in pos. K as per mounting position B3. For parallel gear reducers with output flange installed on the same side of the quick shaft, check for any dimensional interference.



PZ - BZ	PU	MU	NU	SU	TU	OU	JU	GU	[- kg]
179	550	500	450 (-0,02/-0,06)	25	5	18 (n°8)	22°30'	217,5	54
199	550	500	450 (-0,02/-0,06)	25	5	18 (n°8)	22°30'	217,5	58
219	660	600	550 (-0,02/-0,07)	30	6	22 (n°8)	22°30'	285	101
249	660	600	550 (-0,02/-0,07)	30	6	22 (n°8)	22°30'	285	105
269	660	600	550 (-0,02/-0,07)	35	6	26 (n°12)	15°	319	105
279	660	600	550 (-0,02/-0,07)	35	6	26 (n°12)	15°	319	104
319	800	740	680 (-0,02/-0,07)	45	6	26 (n°12)	15°	399	229
349	800	740	680 (-0,02/-0,07)	45	6	26 (n°12)	15°	399	211

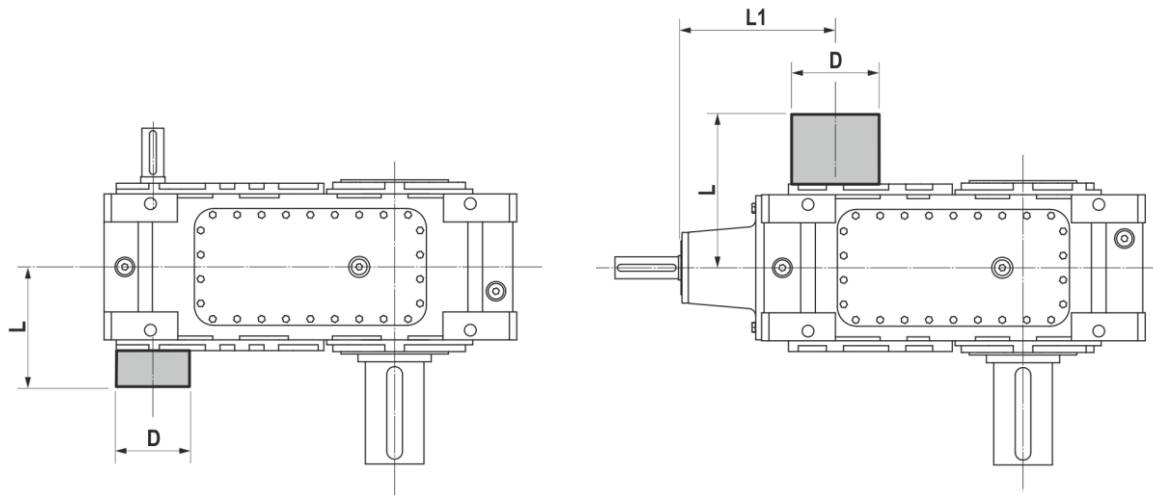
4.4.2 Flange for splined output shaft



PBZ	D1 (DIN5480)	D2 f8	D3	D4	A	B	C	D	E	N	O
179	N100x4x30x24x9H	150	190	240	55	23	20	98	18	220	19,5
199	N110x4x30x26x9H	150	190	240	55	23	20	98	18	220	19,5
219	N120x4x30x28x9H	155	200	250	60	23	20	103	20	230	21,5
249	N130x4x30x31x9H	180	280	355	80	25	20	125	26	315	23,5
269	N130x4x30x31x9H	180	280	355	80	25	20	125	26	315	23,5
279	N150x4x30x36x9H	225	355	450	103	32	25	160	34	400	29
319	N150x4x30x36x9H	225	355	450	103	32	25	160	34	400	29
349	N180x5x30x34x9H	250	400	500	118	34	28	180	39	450	32
399	N200x8x30x24x9H	280	450	560	132	36	32	200	44	500	35
409	N200x8x30x24x9H	280	450	560	132	36	32	200	44	500	35

4.4.3 Backstop device

Gear reducers may be equipped with backstop. The backstop allows shafts to rotate in one direction only. It is essential that while ordering you specify the direction of free rotation of the output shaft, according to the white or black arrow. Please see relevant paragraph "DIRECTION OF ROTATION. Please contact MOTOVARIO TECHNICAL SERVICE to verify dimensions of backstop.



	D	L
P2Z 179	179	242,5
P2Z 199	179	242,5
P2Z 219	190	267
P2Z 249	190	267
P2Z 269	210	317
P2Z 279	210	317
P2Z 319	245	361
P2Z 349	245	361
P2Z 399	245	440
P2Z 409	245	440

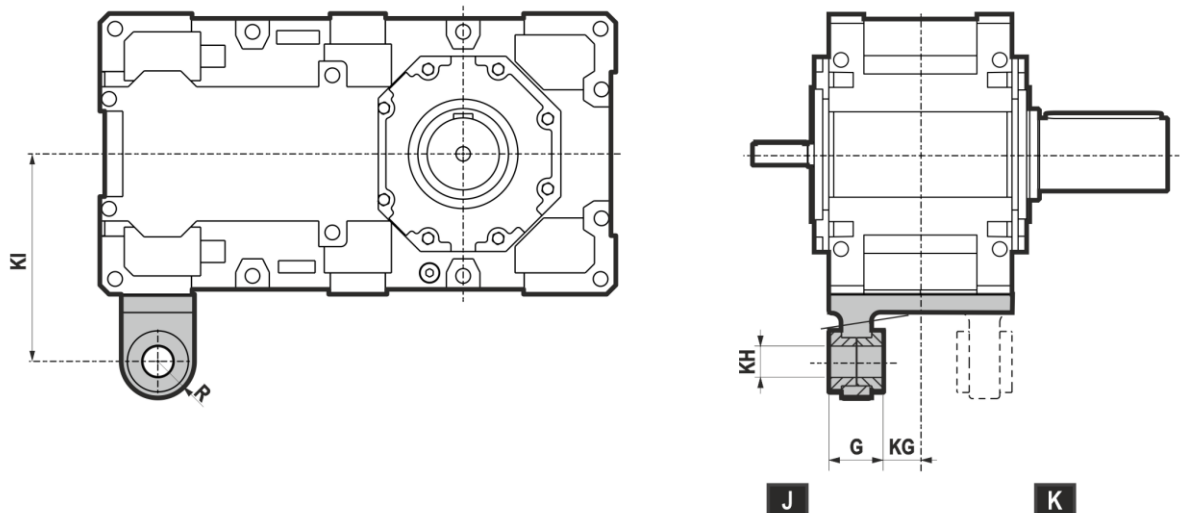
	D	L
P3Z 179	110	211,5
P3Z 199	110	211,5
P3Z 219	150	246
P3Z 249	150	246
P3Z 269	179	305
P3Z 279	179	305
P3Z 319	190	340
P3Z 349	190	340
P3Z 399	210	407
P3Z 409	210	407

	D	L
P4Z 219	96	238
P4Z 249	96	238
P4Z 269	110	274
P4Z 279	110	274
P4Z 319	130	314
P4Z 349	130	314
P4Z 399	150	374
P4Z 409	150	374

	D	L	L1
B3Z 179	154	263,5	270
B3Z 199	154	263,5	270
B3Z 219	179	315	320
B3Z 249	179	315	320
B3Z 269	210	370	360
B3Z 279	210	370	360
B3Z 319	245	410	425
B3Z 349	245	410	425
B3Z 399	245	426	490
B3Z 409	245	426	490

	D	L	L1
B4Z 219	136	279	240
B4Z 249	136	279	240
B4Z 269	154	326	270
B4Z 279	154	326	270
B4Z 319	179	388	320
B4Z 349	179	388	320
B4Z 399	210	462	360
B4Z 409	210	462	360

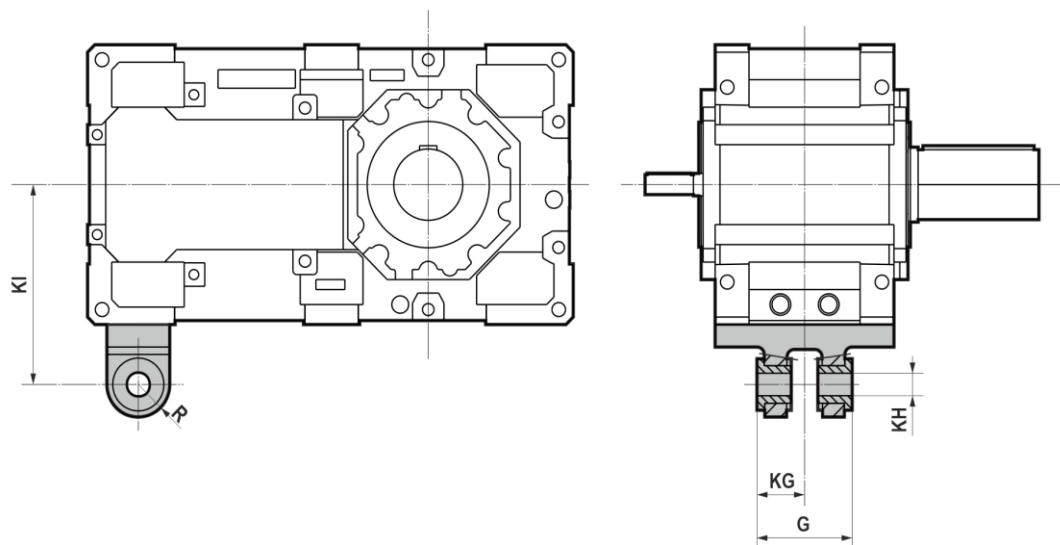
4.4.4 Torque arm



	KI	KG	KH	G	R
P2Z 179 B3Z 179	276	47,5	32	80	94
P3Z 179	276	47,5	32	80	94
P2Z 199 B3Z 199	306	47,5	32	80	94
P3Z 199	306	47,5	32	80	94
P2Z 219 B3Z 219	340	60	52	90	120
P3Z 219 P4Z 219 B4Z 219	340	60	52	90	120
P2Z 249 B3Z 249	390	60	52	90	120
P3Z 249 P4Z 249 B4Z 249	390	60	52	90	120

When placing your order, please specify whether or not the torque arm is to be fitted on the gear reducer.
 If the torque arm is to be fitted, unless otherwise specified the gear reducer is supplied with the accessory in pos. J with reference to assembly position B3 and execution AZ or LR, for a parallel helical or bevel helical gear reducer, respectively.

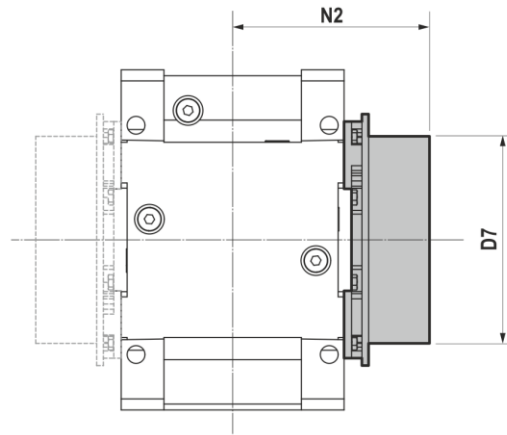
4.4 ACCESSORIES



	KI	KG	KH	G	R
P2Z 269 B3Z 269	400	98,5	45	197	130
P3Z 269 P4Z 269 B4Z 269	400	98,5	45	197	130
P2Z 279 B3Z 279	440	98,5	45	197	130
P3Z 279 P4Z 279 B4Z 279	440	98,5	45	197	130
P2Z 319 B3Z 319	460	107	50	214	140
P3Z 319 P4Z 319 B4Z 319	460	107	50	214	140
P2Z 349 B3Z 349	540	107	50	214	140
P3Z 349 P4Z 349 B4Z 349	540	107	50	214	140
P2Z 399 B3Z 399	600	123	60	246	160
P3Z 399 P4Z 399 B4Z 399	600	123	60	246	160
P2Z 409 B3Z 409	600	123	60	246	160
P3Z 409 P4Z 409 B4Z 409	600	123	60	246	160

When placing your order, please specify whether or not the torque arm is to be fitted on the gear reducer.

4.4.5 Output shaft cover



PZ-BZ	D7	N2
179	241	267,5
199	256	272,5
219	280	315
249	310	318
269	320	360
279	378	402
319	420	462
349	451	467
399	471	549
409	501	560

4.4.6 Optional seals

On request the gear reducer can be supplied with:

- Labyrinth seal with grease nipple. Recommended for dust and aggressive environments. Overall dimensions of shaft in an axial direction may differ from standard dimensions. Please contact MOTOVARIO TECHNICAL SERVICE.
- Sealing rings in FPM (FKM) fluorinated rubber. Recommended for ambient temperatures above 40 °C, in aggressive industrial environments and with high input speeds. Do not use at ambient temperatures below 10 °C.
- Dual seal. Available both on input and output shaft, in NBR rubber as well as in FPM (FKM) fluorinated rubber.

4.4.7 Other Accessories and Options

On request the gear reducer can be supplied with:

- Filling plug with filter;
- Special painting with C3, C4, C5I and C5M corrosive classes according to UNI EN ISO 12944;
- Torque arm.

P2Z 179

Mn ₂ [Nm]	i	Pn ₁ [kW]	n ₂ [rpm]
9000	6,37	270	275
9000	7,14	241	245
9000	8,06	213	217
9000	9,64	178	182
9000	10,5	164	167
9000	11,4	151	154
9000	13,7	125	128
9000	15,6	110	112
8640	16,8	98,2	104
8160	18,2	85,6	96,2
6900	19,2	68,6	91,1
7050	20,9	64,3	83,6

P2Z 219

Mn ₂ [Nm]	i	Pn ₁ [kW]	n ₂ [rpm]
13300	6,28	403	279
13900	7,28	364	240
14300	7,86	347	223
14700	8,50	329	206
15100	9,22	312	190
15500	10,0	295	174
16000	11,0	278	160
16700	12,7	251	138
16200	14,7	210	119
15100	16,1	178	109
14300	17,4	157	100
13400	18,9	135	92,4

P2Z 269

Mn ₂ [Nm]	i	Pn ₁ [kW]	n ₂ [rpm]
27000	6,44	800	272
28500	7,47	727	234
29000	8,74	633	200
29000	9,49	583	184
29000	10,3	536	169
29000	11,1	497	157
29000	12,0	460	145
29000	14,2	391	124
27700	16,3	325	108
25300	17,5	277	100
25500	18,9	258	92,7
21400	20,7	198	84,7

P2Z 199

Mn ₂ [Nm]	i	Pn ₁ [kW]	n ₂ [rpm]
11000	7,91	265	221
11000	8,87	237	197
11000	10,0	210	175
11000	12,0	175	146
11000	13,0	162	135
11000	14,1	149	124
11000	17,0	124	103
11000	19,3	109	90,5
10700	20,9	98,3	83,9
10100	22,6	85,6	77,5
8570	23,9	68,6	73,4
8760	26,0	64,3	67,3

P2Z 249

Mn ₂ [Nm]	i	Pn ₁ [kW]	n ₂ [rpm]
16800	7,96	403	220
17700	9,23	365	190
18100	9,96	347	176
18600	10,8	329	162
19100	11,7	312	150
19700	12,7	295	138
20200	13,9	278	126
21200	16,1	252	109
20500	18,6	210	94,0
19100	20,4	179	85,7
18100	22,1	156	79,2
17000	24,0	135	72,9

P2Z 279

Mn ₂ [Nm]	i	Pn ₁ [kW]	n ₂ [rpm]
33500	7,96	802	220
35200	9,25	726	189
36000	10,8	636	162
36000	11,7	585	149
36000	12,8	538	137
36000	13,8	498	127
36000	14,9	461	118
36000	17,5	392	99,9
34300	20,1	325	87,0
31300	21,6	277	81,0
31600	23,4	258	74,9
26500	25,6	198	68,5

P2Z 319

Mn ₂ [Nm]	i	Pn ₁ [kW]	n ₂ [rpm]
38700	6,33	1170	276
40600	7,31	1060	239
42700	8,50	959	206
44600	9,73	875	180
45900	10,6	827	165
47200	11,6	780	152
49400	13,3	710	132
50700	14,4	670	121
45200	15,5	556	113
45700	16,7	521	105
40100	19,0	404	92,3
39200	20,5	365	85,4

P2Z 399

Mn ₂ [Nm]	i	Pn ₁ [kW]	n ₂ [rpm]
70700	6,62	2040	264
74100	7,57	1870	231
77700	8,72	1700	201
79600	9,38	1620	187
81600	10,1	1540	173
83800	10,9	1460	160
87100	12,3	1350	143
89200	13,2	1290	132
86400	15,2	1080	115
73900	17,2	820	102
74700	18,6	767	94,1
73300	20,2	692	86,6

P2Z 349

Mn ₂ [Nm]	i	Pn ₁ [kW]	n ₂ [rpm]
49700	8,14	1170	215
52200	9,40	1060	186
55000	10,9	961	160
57400	12,5	875	140
59000	13,6	827	129
60700	14,9	780	118
63600	17,1	710	102
65200	18,6	670	94,3
58100	20,0	556	87,7
58800	21,5	521	81,3
51600	24,4	404	71,8
50300	26,3	365	66,5

P2Z 409

Mn ₂ [Nm]	i	Pn ₁ [kW]	n ₂ [rpm]
85500	8,01	2040	218
89600	9,16	1870	191
93900	10,6	1700	166
96300	11,4	1620	154
98700	12,2	1540	143
101000	13,2	1460	132
105000	14,8	1350	118
108000	16,0	1290	109
105000	18,4	1080	94,9
89400	20,8	820	84,1
90300	22,5	766	77,8
88700	24,4	692	71,6

P3Z 179

Mn ₂ [Nm]	i	Pn ₁ [kW]	n ₂ [rpm]
9000	24,5	71,5	71,3
9000	28,0	62,7	62,5
9000	32,1	54,7	54,6
9000	36,9	47,5	47,4
9000	42,9	40,9	40,8
9000	46,4	37,8	37,7
9000	51,4	34,1	34,0
9000	57,7	30,4	30,3
9000	68,2	25,7	25,7
9000	73,9	23,7	23,7
9000	79,8	22,0	21,9
8840	86,2	20,0	20,3

P3Z 219

Mn ₂ [Nm]	i	Pn ₁ [kW]	n ₂ [rpm]
19000	22,6	164	77,5
19000	25,1	148	69,7
19000	28,7	129	61,0
19000	33,0	112	53,0
19000	38,3	96,6	45,6
19000	41,5	89,3	42,2
19000	49,8	74,4	35,2
19000	57,8	64,1	30,3
18400	62,7	57,3	27,9
16100	70,5	44,5	24,8
15500	75,3	40,1	23,3
14600	81,3	35,0	21,5

P3Z 269

Mn ₂ [Nm]	i	Pn ₁ [kW]	n ₂ [rpm]
29000	25,1	226	69,8
29000	28,1	201	62,3
29000	31,7	178	55,2
29000	37,9	149	46,1
29000	41,1	137	42,6
29000	44,7	126	39,1
29000	53,9	105	32,5
29000	61,2	92,4	28,6
29000	66,1	85,6	26,5
29000	71,5	79,0	24,5
23900	75,6	61,7	23,2
27200	82,3	64,4	21,3

P3Z 199

Mn ₂ [Nm]	i	Pn ₁ [kW]	n ₂ [rpm]
11000	30,5	70,4	57,4
11000	34,8	61,7	50,3
11000	39,8	53,9	44,0
11000	45,9	46,7	38,1
11000	53,3	40,2	32,8
11000	57,7	37,2	30,4
11000	63,9	33,6	27,4
11000	71,7	29,9	24,4
11000	84,7	25,3	20,7
11000	91,8	23,4	19,1
11000	99,1	21,6	17,7
11000	107	20,0	16,3

P3Z 249

Mn ₂ [Nm]	i	Pn ₁ [kW]	n ₂ [rpm]
24000	28,6	163	61,1
24000	31,8	147	55,0
24000	36,4	129	48,1
24000	41,9	112	41,8
24000	48,6	96,2	36,0
24000	52,6	89,0	33,3
24000	63,1	74,2	27,7
24000	73,3	63,8	23,9
23300	79,4	57,2	22,0
20500	89,4	44,6	19,6
19700	95,4	40,2	18,3
18500	103	35,0	17,0

P3Z 279

Mn ₂ [Nm]	i	Pn ₁ [kW]	n ₂ [rpm]
36000	31,0	226	56,4
36000	34,8	202	50,4
36000	39,2	179	44,6
36000	46,9	150	37,3
36000	50,9	138	34,4
36000	55,3	127	31,6
36000	66,6	105	26,3
36000	75,7	92,7	23,1
36000	81,7	85,9	21,4
36000	88,5	79,3	19,8
29600	93,5	61,6	18,7
33700	102	64,4	17,2

P3Z 319

Mn ₂ [Nm]	i	Pn ₁ [kW]	n ₂ [rpm]
55000	24,3	442	72,1
55000	28,2	381	62,2
55000	30,4	353	57,6
55000	32,9	326	53,2
55000	35,7	301	49,1
55000	38,8	276	45,1
55000	42,4	253	41,3
55000	49,1	218	35,6
55000	56,8	189	30,8
55000	62,3	172	28,1
54100	67,4	157	26,0
50700	73,2	135	23,9

P3Z 399

Mn ₂ [Nm]	i	Pn ₁ [kW]	n ₂ [rpm]
90000	24,9	703	70,2
90000	29,0	606	60,4
90000	33,9	518	51,7
90000	36,8	477	47,6
90000	40,0	439	43,7
90000	43,2	406	40,5
90000	46,6	376	37,5
90000	54,9	320	31,9
90000	63,0	278	27,8
90000	67,6	259	25,9
90000	73,2	240	23,9
81300	80,0	198	21,9

P3Z 349

Mn ₂ [Nm]	i	Pn ₁ [kW]	n ₂ [rpm]
70000	31,2	437	56,1
70000	36,2	377	48,3
70000	39,1	349	44,8
70000	42,3	323	41,4
70000	45,9	298	38,2
70000	49,9	274	35,1
70000	54,5	251	32,1
70000	63,1	216	27,7
70000	73,0	187	24,0
70000	80,1	170	21,9
69600	86,6	157	20,2
65200	94,1	135	18,6

P3Z 409

Mn ₂ [Nm]	i	Pn ₁ [kW]	n ₂ [rpm]
110000	30,2	711	58,0
110000	35,0	612	50,0
110000	41,0	523	42,7
110000	44,5	482	39,4
110000	48,4	443	36,2
110000	52,2	410	33,5
110000	56,4	380	31,0
110000	66,4	323	26,4
110000	76,2	281	23,0
110000	81,8	262	21,4
110000	88,5	242	19,8
98300	96,8	198	18,1

P4Z 219

Mn ₂ [Nm]	i	Pn ₁ [kW]	n ₂ [rpm]
19000	87,8	43,1	19,9
19000	93,4	40,5	18,7
19000	106	35,7	16,5
19000	121	31,3	14,5
19000	139	27,3	12,6
19000	161	23,6	10,9
19000	188	20,1	9,31
19000	204	18,5	8,57
19000	224	16,9	7,81
19000	243	15,6	7,21
19000	293	12,9	5,97
19000	318	11,9	5,50

P4Z 269

Mn ₂ [Nm]	i	Pn ₁ [kW]	n ₂ [rpm]
29000	96,5	59,8	18,1
29000	110	52,5	15,9
29000	126	45,8	13,9
29000	145	39,8	12,0
29000	169	34,2	10,4
29000	183	31,6	9,58
29000	202	28,6	8,65
29000	227	25,4	7,71
29000	268	21,5	6,52
29000	291	19,9	6,02
29000	314	18,4	5,58
29000	339	17,0	5,16

P4Z 319

Mn ₂ [Nm]	i	Pn ₁ [kW]	n ₂ [rpm]
55000	87,4	125	20,0
55000	97,0	113	18,0
55000	111	98,7	15,8
55000	128	85,7	13,7
55000	148	73,9	11,8
55000	160	68,3	10,9
55000	192	56,9	9,09
55000	224	49,0	7,83
55000	242	45,2	7,22
55000	273	40,2	6,42
53400	291	36,5	6,01
55000	314	34,9	5,57

P4Z 249

Mn ₂ [Nm]	i	Pn ₁ [kW]	n ₂ [rpm]
24000	111	42,9	15,7
24000	118	40,4	14,8
24000	134	35,6	13,0
24000	153	31,2	11,4
24000	176	27,2	9,95
24000	204	23,5	8,59
24000	238	20,1	7,35
24000	259	18,5	6,76
24000	284	16,8	6,16
24000	308	15,5	5,68
24000	371	12,9	4,71
24000	403	11,9	4,34

P4Z 279

Mn ₂ [Nm]	i	Pn ₁ [kW]	n ₂ [rpm]
36000	119	60,0	14,7
36000	136	52,6	12,8
36000	156	46,0	11,2
36000	180	39,9	9,73
36000	209	34,3	8,38
36000	226	31,7	7,75
36000	250	28,7	6,99
36000	281	25,5	6,23
36000	332	21,6	5,27
36000	360	19,9	4,87
36000	388	18,5	4,51
36000	419	17,1	4,17

P4Z 349

Mn ₂ [Nm]	i	Pn ₁ [kW]	n ₂ [rpm]
70000	112	124	15,6
70000	125	112	14,0
70000	143	97,7	12,3
70000	164	84,9	10,7
70000	191	73,1	9,18
70000	206	67,6	8,49
70000	247	56,3	7,07
70000	287	48,5	6,09
70000	312	44,8	5,62
70000	350	39,8	4,99
68700	374	36,6	4,68
70000	404	34,5	4,33

P4Z 399

Mn ₂ [Nm]	i	Pn ₁ [kW]	n ₂ [rpm]
90000	97,1	185	18,0
90000	109	165	16,1
90000	123	146	14,2
90000	147	122	11,9
90000	159	112	11,0
90000	173	103	10,1
90000	209	85,9	8,39
90000	237	75,6	7,38
90000	256	70,0	6,84
90000	277	64,7	6,31
90000	293	61,2	5,98
90000	319	56,2	5,49

P4Z 409

Mn ₂ [Nm]	i	Pn ₁ [kW]	n ₂ [rpm]
110000	117	186	14,9
110000	132	166	13,3
110000	149	147	11,8
110000	178	123	9,84
110000	193	114	9,08
110000	210	105	8,35
110000	252	86,8	6,93
110000	287	76,4	6,10
110000	310	70,8	5,65
110000	335	65,3	5,22
110000	354	61,8	4,94
110000	386	56,8	4,54

P2Z 179

Mn ₂ [Nm]	i	Pn ₁ [kW]	n ₂ [rpm]
9000	6,37	216	220
9000	7,14	192	196
9000	8,06	171	174
9000	9,64	143	145
9000	10,5	132	134
9000	11,4	121	123
9000	13,7	100	102
9000	15,6	88,3	90,0
8640	16,8	78,6	83,4
8160	18,2	68,5	77,0
6900	19,2	54,8	72,9
7050	20,9	51,4	66,9

P2Z 219

Mn ₂ [Nm]	i	Pn ₁ [kW]	n ₂ [rpm]
13300	6,28	322	223
13900	7,28	292	192
14300	7,86	278	178
14700	8,50	263	165
15100	9,22	249	152
15500	10,0	236	140
16000	11,0	222	128
16700	12,7	201	110
16200	14,7	168	95,4
15100	16,1	143	87,0
14300	17,4	125	80,4
13400	18,9	108	74,0

P2Z 269

Mn ₂ [Nm]	i	Pn ₁ [kW]	n ₂ [rpm]
27000	6,44	640	217
28500	7,47	582	187
29000	8,74	507	160
29000	9,49	467	148
29000	10,3	429	136
29000	11,1	398	126
29000	12,0	368	116
29000	14,2	313	98,9
27700	16,3	260	86,1
25300	17,5	221	80,2
25500	18,9	206	74,2
21400	20,7	158	67,8

P2Z 199

Mn ₂ [Nm]	i	Pn ₁ [kW]	n ₂ [rpm]
11000	7,91	212	177
11000	8,87	189	158
11000	10,0	168	140
11000	12,0	140	117
11000	13,0	129	108
11000	14,1	119	99,2
11000	17,0	98,8	82,4
11000	19,3	86,9	72,4
10700	20,9	78,7	67,1
10100	22,6	68,5	62,0
8570	23,9	54,9	58,7
8760	26,0	51,5	53,9

P2Z 249

Mn ₂ [Nm]	i	Pn ₁ [kW]	n ₂ [rpm]
16800	7,96	322	176
17700	9,23	292	152
18100	9,96	278	141
18600	10,8	263	130
19100	11,7	250	120
19700	12,7	236	110
20200	13,9	222	101
21200	16,1	201	87,0
20500	18,6	168	75,2
19100	20,4	143	68,6
18100	22,1	125	63,4
17000	24,0	108	58,3

P2Z 279

Mn ₂ [Nm]	i	Pn ₁ [kW]	n ₂ [rpm]
33500	7,96	642	176
35200	9,25	581	151
36000	10,8	509	130
36000	11,7	468	119
36000	12,8	430	110
36000	13,8	399	102
36000	14,9	369	94,0
36000	17,5	314	79,9
34300	20,1	260	69,6
31300	21,6	221	64,8
31600	23,4	206	59,9
26500	25,6	158	54,8

P2Z 319

Mn ₂ [Nm]	i	Pn ₁ [kW]	n ₂ [rpm]
38700	6,33	932	221
40600	7,31	848	192
42700	8,50	767	165
44600	9,73	700	144
45900	10,6	662	132
47200	11,6	624	121
49400	13,3	568	105
50700	14,4	536	97,0
45200	15,5	445	90,2
45700	16,7	417	83,7
40100	19,0	323	73,9
39200	20,5	292	68,4

P2Z 399

Mn ₂ [Nm]	i	Pn ₁ [kW]	n ₂ [rpm]
70700	6,62	1630	211
74100	7,57	1490	185
77700	8,72	1360	161
79600	9,38	1300	149
81600	10,1	1230	138
83800	10,9	1170	128
87100	12,3	1080	114
89200	13,2	1030	106
86400	15,2	865	91,9
73900	17,2	656	81,4
74700	18,6	613	75,3
73300	20,2	554	69,3

P2Z 349

Mn ₂ [Nm]	i	Pn ₁ [kW]	n ₂ [rpm]
49700	8,14	932	172
52200	9,40	848	149
55000	10,9	768	128
57400	12,5	700	112
59000	13,6	661	103
60700	14,9	624	94,3
63600	17,1	568	81,9
65200	18,6	536	75,4
58100	20,0	445	70,2
58800	21,5	417	65,1
51600	24,4	323	57,5
50300	26,3	292	53,2

P2Z 409

Mn ₂ [Nm]	i	Pn ₁ [kW]	n ₂ [rpm]
85500	8,01	1630	175
89600	9,16	1490	153
93900	10,6	1360	133
96300	11,4	1290	123
98700	12,2	1230	114
101000	13,2	1170	106
105000	14,8	1080	94,3
108000	16,0	1030	87,6
105000	18,4	865	75,9
89400	20,8	656	67,3
90300	22,5	613	62,2
88700	24,4	554	57,3

P3Z 179

Mn ₂ [Nm]	i	Pn ₁ [kW]	n ₂ [rpm]
9000	24,5	57,2	57,0
9000	28,0	50,1	50,0
9000	32,1	43,8	43,7
9000	36,9	38,0	37,9
9000	42,9	32,7	32,6
9000	46,4	30,2	30,2
9000	51,4	27,3	27,2
9000	57,7	24,3	24,3
9000	68,2	20,6	20,5
9000	73,9	19,0	18,9
9000	79,8	17,6	17,6
8840	86,2	16,0	16,2

P3Z 219

Mn ₂ [Nm]	i	Pn ₁ [kW]	n ₂ [rpm]
19000	22,6	131	62,0
19000	25,1	118	55,8
19000	28,7	103	48,8
19000	33,0	89,7	42,4
19000	38,3	77,3	36,5
19000	41,5	71,5	33,8
19000	49,8	59,5	28,1
19000	57,8	51,2	24,2
18400	62,7	45,8	22,3
16100	70,5	35,6	19,9
15500	75,3	32,1	18,6
14600	81,3	28,0	17,2

P3Z 269

Mn ₂ [Nm]	i	Pn ₁ [kW]	n ₂ [rpm]
29000	25,1	180	55,9
29000	28,1	161	49,9
29000	31,7	143	44,2
29000	37,9	119	36,9
29000	41,1	110	34,0
29000	44,7	101	31,3
29000	53,9	84,0	26,0
29000	61,2	73,9	22,9
29000	66,1	68,5	21,2
29000	71,5	63,2	19,6
23900	75,6	49,3	18,5
27200	82,3	51,5	17,0

P3Z 199

Mn ₂ [Nm]	i	Pn ₁ [kW]	n ₂ [rpm]
11000	30,5	56,3	45,9
11000	34,8	49,4	40,3
11000	39,8	43,1	35,2
11000	45,9	37,4	30,5
11000	53,3	32,2	26,3
11000	57,7	29,8	24,3
11000	63,9	26,9	21,9
11000	71,7	23,9	19,5
11000	84,7	20,2	16,5
11000	91,8	18,7	15,3
11000	99,1	17,3	14,1
11000	107	16,0	13,1

P3Z 249

Mn ₂ [Nm]	i	Pn ₁ [kW]	n ₂ [rpm]
24000	28,6	131	48,9
24000	31,8	118	44,0
24000	36,4	103	38,5
24000	41,9	89,4	33,4
24000	48,6	77,0	28,8
24000	52,6	71,2	26,6
24000	63,1	59,3	22,2
24000	73,3	51,1	19,1
23300	79,4	45,7	17,6
20500	89,4	35,7	15,7
19700	95,4	32,2	14,7
18500	103	28,0	13,6

P3Z 279

Mn ₂ [Nm]	i	Pn ₁ [kW]	n ₂ [rpm]
36000	31,0	181	45,1
36000	34,8	162	40,3
36000	39,2	143	35,7
36000	46,9	120	29,8
36000	50,9	110	27,5
36000	55,3	101	25,3
36000	66,6	84,3	21,0
36000	75,7	74,1	18,5
36000	81,7	68,7	17,1
36000	88,5	63,4	15,8
29600	93,5	49,3	15,0
33700	102	51,5	13,7

P3Z 319

Mn ₂ [Nm]	i	Pn ₁ [kW]	n ₂ [rpm]
55000	24,3	353	57,7
55000	28,2	305	49,7
55000	30,4	282	46,1
55000	32,9	261	42,6
55000	35,7	240	39,2
55000	38,8	221	36,1
55000	42,4	203	33,1
55000	49,1	175	28,5
55000	56,8	151	24,7
55000	62,3	138	22,5
54100	67,4	125	20,8
50700	73,2	108	19,1

P3Z 399

Mn ₂ [Nm]	i	Pn ₁ [kW]	n ₂ [rpm]
90000	24,9	563	56,1
90000	29,0	485	48,3
90000	33,9	414	41,3
90000	36,8	382	38,1
90000	40,0	351	35,0
90000	43,2	325	32,4
90000	46,6	301	30,0
90000	54,9	256	25,5
90000	63,0	223	22,2
90000	67,6	208	20,7
90000	73,2	192	19,1
81300	80,0	158	17,5

P3Z 349

Mn ₂ [Nm]	i	Pn ₁ [kW]	n ₂ [rpm]
70000	31,2	350	44,8
70000	36,2	302	38,7
70000	39,1	279	35,8
70000	42,3	258	33,1
70000	45,9	238	30,5
70000	49,9	219	28,1
70000	54,5	200	25,7
70000	63,1	173	22,2
70000	73,0	150	19,2
70000	80,1	136	17,5
69600	86,6	125	16,2
65200	94,1	108	14,9

P3Z 409

Mn ₂ [Nm]	i	Pn ₁ [kW]	n ₂ [rpm]
110000	30,2	569	46,4
110000	35,0	490	40,0
110000	41,0	419	34,2
110000	44,5	386	31,5
110000	48,4	354	28,9
110000	52,2	328	26,8
110000	56,4	304	24,8
110000	66,4	258	21,1
110000	76,2	225	18,4
110000	81,8	210	17,1
110000	88,5	194	15,8
98300	96,8	158	14,5

P4Z 219

Mn ₂ [Nm]	i	Pn ₁ [kW]	n ₂ [rpm]
19000	87,8	34,5	15,9
19000	93,4	32,4	15,0
19000	106	28,6	13,2
19000	121	25,0	11,6
19000	139	21,8	10,1
19000	161	18,9	8,72
19000	188	16,1	7,45
19000	204	14,8	6,85
19000	224	13,5	6,25
19000	243	12,5	5,77
19000	293	10,3	4,78
19000	318	9,52	4,40

P4Z 269

Mn ₂ [Nm]	i	Pn ₁ [kW]	n ₂ [rpm]
29000	96,5	47,9	14,5
29000	110	42,0	12,7
29000	126	36,6	11,1
29000	145	31,8	9,64
29000	169	27,4	8,29
29000	183	25,3	7,67
29000	202	22,8	6,92
29000	227	20,4	6,17
29000	268	17,2	5,22
29000	291	15,9	4,82
29000	314	14,7	4,46
29000	339	13,6	4,13

P4Z 319

Mn ₂ [Nm]	i	Pn ₁ [kW]	n ₂ [rpm]
55000	87,4	100	16,0
55000	97,0	90,3	14,4
55000	111	79,0	12,6
55000	128	68,6	11,0
55000	148	59,1	9,44
55000	160	54,7	8,73
55000	192	45,5	7,27
55000	224	39,2	6,26
55000	242	36,2	5,78
55000	273	32,2	5,14
53400	291	29,2	4,81
55000	314	27,9	4,46

P4Z 249

Mn ₂ [Nm]	i	Pn ₁ [kW]	n ₂ [rpm]
24000	111	34,4	12,6
24000	118	32,3	11,8
24000	134	28,5	10,4
24000	153	24,9	9,13
24000	176	21,7	7,96
24000	204	18,8	6,88
24000	238	16,1	5,88
24000	259	14,8	5,40
24000	284	13,5	4,93
24000	308	12,4	4,55
24000	371	10,3	3,77
24000	403	9,49	3,47

P4Z 279

Mn ₂ [Nm]	i	Pn ₁ [kW]	n ₂ [rpm]
36000	119	48,0	11,7
36000	136	42,1	10,3
36000	156	36,8	8,97
36000	180	31,9	7,79
36000	209	27,5	6,70
36000	226	25,4	6,20
36000	250	22,9	5,59
36000	281	20,4	4,98
36000	332	17,3	4,22
36000	360	16,0	3,89
36000	388	14,8	3,61
36000	419	13,7	3,34

P4Z 349

Mn ₂ [Nm]	i	Pn ₁ [kW]	n ₂ [rpm]
70000	112	99,3	12,5
70000	125	89,4	11,2
70000	143	78,2	9,81
70000	164	67,9	8,52
70000	191	58,5	7,34
70000	206	54,1	6,79
70000	247	45,1	5,66
70000	287	38,8	4,87
70000	312	35,8	4,49
70000	350	31,8	3,99
68700	374	29,3	3,74
70000	404	27,6	3,47

P4Z 399

Mn ₂ [Nm]	i	Pn ₁ [kW]	n ₂ [rpm]
90000	97,1	148	14,4
90000	109	132	12,9
90000	123	117	11,4
90000	147	97,6	9,52
90000	159	90,0	8,79
90000	173	82,8	8,08
90000	209	68,7	6,71
90000	237	60,5	5,90
90000	256	56,0	5,47
90000	277	51,7	5,05
90000	293	49,0	4,78
90000	319	45,0	4,39

P4Z 409

Mn ₂ [Nm]	i	Pn ₁ [kW]	n ₂ [rpm]
110000	117	149	11,9
110000	132	133	10,6
110000	149	118	9,42
110000	178	98,6	7,87
110000	193	90,9	7,26
110000	210	83,6	6,68
110000	252	69,4	5,55
110000	287	61,1	4,88
110000	310	56,6	4,52
110000	335	52,3	4,18
110000	354	49,4	3,95
110000	386	45,4	3,63

P2Z 179

Mn ₂ [Nm]	i	Pn ₁ [kW]	n ₂ [rpm]
9000	6,37	176	179
9000	7,14	157	160
9000	8,06	139	141
9000	9,64	116	118
9000	10,5	107	109
9000	11,4	98,4	100
9000	13,7	81,7	83,3
9000	15,6	71,9	73,3
8640	16,8	64,0	67,9
8160	18,2	55,8	62,7
6900	19,2	44,7	59,3
7050	20,9	41,9	54,5

P2Z 219

Mn ₂ [Nm]	i	Pn ₁ [kW]	n ₂ [rpm]
13300	6,28	262	182
13900	7,28	237	157
14300	7,86	226	145
14700	8,50	214	134
15100	9,22	203	124
15500	10,0	192	114
16000	11,0	181	104
16700	12,7	164	89,8
16200	14,7	137	77,7
15100	16,1	116	70,8
14300	17,4	102	65,4
13400	18,9	88,0	60,2

P2Z 269

Mn ₂ [Nm]	i	Pn ₁ [kW]	n ₂ [rpm]
27000	6,44	521	177
28500	7,47	474	153
29000	8,74	413	130
29000	9,49	380	120
29000	10,3	349	110
29000	11,1	324	102
29000	12,0	300	94,8
29000	14,2	255	80,5
27700	16,3	212	70,1
25300	17,5	180	65,3
25500	18,9	168	60,4
21400	20,7	129	55,2

P2Z 199

Mn ₂ [Nm]	i	Pn ₁ [kW]	n ₂ [rpm]
11000	7,91	173	144
11000	8,87	154	129
11000	10,0	137	114
11000	12,0	114	95,2
11000	13,0	105	87,8
11000	14,1	96,9	80,7
11000	17,0	80,5	67,1
11000	19,3	70,8	59,0
10700	20,9	64,1	54,7
10100	22,6	55,8	50,5
8570	23,9	44,7	47,8
8760	26,0	41,9	43,9

P2Z 249

Mn ₂ [Nm]	i	Pn ₁ [kW]	n ₂ [rpm]
16800	7,96	262	143
17700	9,23	238	124
18100	9,96	226	114
18600	10,8	215	106
19100	11,7	203	97,5
19700	12,7	192	89,6
20200	13,9	181	82,1
21200	16,1	164	70,9
20500	18,6	137	61,2
19100	20,4	116	55,9
18100	22,1	102	51,6
17000	24,0	88,1	47,5

P2Z 279

Mn ₂ [Nm]	i	Pn ₁ [kW]	n ₂ [rpm]
33500	7,96	523	143
35200	9,25	473	123
36000	10,8	414	105
36000	11,7	381	97,1
36000	12,8	350	89,2
36000	13,8	325	82,7
36000	14,9	301	76,6
36000	17,5	256	65,1
34300	20,1	212	56,7
31300	21,6	180	52,8
31600	23,4	168	48,8
26500	25,6	129	44,6

P2Z 319

Mn ₂ [Nm]	i	Pn ₁ [kW]	n ₂ [rpm]
38700	6,33	759	180
40600	7,31	691	156
42700	8,50	625	134
44600	9,73	570	117
45900	10,6	539	108
47200	11,6	508	98,7
49400	13,3	462	85,8
50700	14,4	437	78,9
45200	15,5	362	73,5
45700	16,7	340	68,1
40100	19,0	263	60,2
39200	20,5	238	55,7

P2Z 399

Mn ₂ [Nm]	i	Pn ₁ [kW]	n ₂ [rpm]
70700	6,62	1330	172
74100	7,57	1220	151
77700	8,72	1110	131
79600	9,38	1060	122
81600	10,1	1000	113
83800	10,9	952	104
87100	12,3	882	92,9
89200	13,2	839	86,2
86400	15,2	705	74,8
73900	17,2	534	66,3
74700	18,6	499	61,3
73300	20,2	451	56,4

P2Z 349

Mn ₂ [Nm]	i	Pn ₁ [kW]	n ₂ [rpm]
49700	8,14	759	140
52200	9,40	691	121
55000	10,9	626	104
57400	12,5	570	91,1
59000	13,6	539	83,8
60700	14,9	508	76,8
63600	17,1	463	66,7
65200	18,6	436	61,4
58100	20,0	362	57,1
58800	21,5	339	53,0
51600	24,4	263	46,8
50300	26,3	238	43,3

P2Z 409

Mn ₂ [Nm]	i	Pn ₁ [kW]	n ₂ [rpm]
85500	8,01	1330	142
89600	9,16	1220	124
93900	10,6	1110	108
96300	11,4	1050	100
98700	12,2	1000	93,1
101000	13,2	951	86,1
105000	14,8	882	76,8
108000	16,0	839	71,3
105000	18,4	705	61,8
89400	20,8	534	54,8
90300	22,5	499	50,7
88700	24,4	451	46,6

P3Z 179

Mn ₂ [Nm]	i	Pn ₁ [kW]	n ₂ [rpm]
9000	24,5	46,6	46,5
9000	28,0	40,8	40,7
9000	32,1	35,6	35,6
9000	36,9	30,9	30,9
9000	42,9	26,6	26,6
9000	46,4	24,6	24,6
9000	51,4	22,2	22,2
9000	57,7	19,8	19,8
9000	68,2	16,8	16,7
9000	73,9	15,5	15,4
9000	79,8	14,3	14,3
8840	86,2	13,0	13,2

P3Z 219

Mn ₂ [Nm]	i	Pn ₁ [kW]	n ₂ [rpm]
19000	22,6	107	50,5
19000	25,1	96,2	45,4
19000	28,7	84,1	39,7
19000	33,0	73,0	34,5
19000	38,3	62,9	29,7
19000	41,5	58,2	27,5
19000	49,8	48,5	22,9
19000	57,8	41,7	19,7
18400	62,7	37,3	18,2
16100	70,5	29,0	16,2
15500	75,3	26,2	15,1
14600	81,3	22,8	14,0

P3Z 269

Mn ₂ [Nm]	i	Pn ₁ [kW]	n ₂ [rpm]
29000	25,1	147	45,5
29000	28,1	131	40,6
29000	31,7	116	36,0
29000	37,9	97,1	30,1
29000	41,1	89,6	27,7
29000	44,7	82,4	25,5
29000	53,9	68,4	21,2
29000	61,2	60,2	18,6
29000	66,1	55,8	17,3
29000	71,5	51,5	15,9
23900	75,6	40,2	15,1
27200	82,3	42,0	13,9

P3Z 199

Mn ₂ [Nm]	i	Pn ₁ [kW]	n ₂ [rpm]
11000	30,5	45,8	37,4
11000	34,8	40,2	32,8
11000	39,8	35,1	28,6
11000	45,9	30,4	24,8
11000	53,3	26,2	21,4
11000	57,7	24,2	19,8
11000	63,9	21,9	17,8
11000	71,7	19,5	15,9
11000	84,7	16,5	13,5
11000	91,8	15,2	12,4
11000	99,1	14,1	11,5
11000	107	13,0	10,6

P3Z 249

Mn ₂ [Nm]	i	Pn ₁ [kW]	n ₂ [rpm]
24000	28,6	106	39,8
24000	31,8	95,8	35,8
24000	36,4	83,8	31,3
24000	41,9	72,8	27,2
24000	48,6	62,7	23,5
24000	52,6	58,0	21,7
24000	63,1	48,3	18,1
24000	73,3	41,6	15,6
23300	79,4	37,2	14,4
20500	89,4	29,1	12,8
19700	95,4	26,2	11,9
18500	103	22,8	11,1

P3Z 279

Mn ₂ [Nm]	i	Pn ₁ [kW]	n ₂ [rpm]
36000	31,0	147	36,8
36000	34,8	132	32,8
36000	39,2	117	29,1
36000	46,9	97,4	24,3
36000	50,9	89,9	22,4
36000	55,3	82,6	20,6
36000	66,6	68,6	17,1
36000	75,7	60,4	15,1
36000	81,7	55,9	14,0
36000	88,5	51,7	12,9
29600	93,5	40,1	12,2
33700	102	42,0	11,2

P3Z 319

Mn ₂ [Nm]	i	Pn ₁ [kW]	n ₂ [rpm]
55000	24,3	288	47,0
55000	28,2	248	40,5
55000	30,4	230	37,5
55000	32,9	212	34,7
55000	35,7	196	32,0
55000	38,8	180	29,4
55000	42,4	165	26,9
55000	49,1	142	23,2
55000	56,8	123	20,1
55000	62,3	112	18,3
54100	67,4	102	16,9
50700	73,2	87,9	15,6

P3Z 399

Mn ₂ [Nm]	i	Pn ₁ [kW]	n ₂ [rpm]
90000	24,9	458	45,7
90000	29,0	395	39,4
90000	33,9	337	33,7
90000	36,8	311	31,0
90000	40,0	286	28,5
90000	43,2	265	26,4
90000	46,6	245	24,5
90000	54,9	208	20,8
90000	63,0	181	18,1
90000	67,6	169	16,9
90000	73,2	156	15,6
81300	80,0	129	14,2

P3Z 349

Mn ₂ [Nm]	i	Pn ₁ [kW]	n ₂ [rpm]
70000	31,2	285	36,5
70000	36,2	246	31,5
70000	39,1	227	29,2
70000	42,3	210	27,0
70000	45,9	194	24,9
70000	49,9	178	22,9
70000	54,5	163	20,9
70000	63,1	141	18,1
70000	73,0	122	15,6
70000	80,1	111	14,2
69600	86,6	102	13,2
65200	94,1	88,0	12,1

P3Z 409

Mn ₂ [Nm]	i	Pn ₁ [kW]	n ₂ [rpm]
110000	30,2	463	37,8
110000	35,0	399	32,5
110000	41,0	341	27,8
110000	44,5	314	25,6
110000	48,4	289	23,6
110000	52,2	267	21,8
110000	56,4	248	20,2
110000	66,4	210	17,2
110000	76,2	183	15,0
110000	81,8	171	13,9
110000	88,5	158	12,9
98300	96,8	129	11,8

P4Z 219

Mn ₂ [Nm]	i	Pn ₁ [kW]	n ₂ [rpm]
19000	87,8	28,1	13,0
19000	93,4	26,4	12,2
19000	106	23,3	10,8
19000	121	20,4	9,43
19000	139	17,8	8,22
19000	161	15,3	7,10
19000	188	13,1	6,07
19000	204	12,1	5,58
19000	224	11,0	5,09
19000	243	10,2	4,69
19000	293	8,42	3,89
19000	318	7,75	3,58

P4Z 269

Mn ₂ [Nm]	i	Pn ₁ [kW]	n ₂ [rpm]
29000	96,5	39,0	11,8
29000	110	34,2	10,4
29000	126	29,8	9,04
29000	145	25,9	7,85
29000	169	22,3	6,75
29000	183	20,6	6,24
29000	202	18,6	5,64
29000	227	16,6	5,02
29000	268	14,0	4,25
29000	291	12,9	3,92
29000	314	12,0	3,63
29000	339	11,1	3,36

P4Z 319

Mn ₂ [Nm]	i	Pn ₁ [kW]	n ₂ [rpm]
55000	87,4	81,7	13,0
55000	97,0	73,6	11,8
55000	111	64,3	10,3
55000	128	55,9	8,92
55000	148	48,1	7,69
55000	160	44,5	7,11
55000	192	37,1	5,92
55000	224	31,9	5,10
55000	242	29,5	4,71
55000	273	26,2	4,18
53400	291	23,8	3,92
55000	314	22,7	3,63

P4Z 249

Mn ₂ [Nm]	i	Pn ₁ [kW]	n ₂ [rpm]
24000	111	28,0	10,2
24000	118	26,3	9,63
24000	134	23,2	8,48
24000	153	20,3	7,44
24000	176	17,7	6,48
24000	204	15,3	5,60
24000	238	13,1	4,78
24000	259	12,0	4,40
24000	284	11,0	4,01
24000	308	10,1	3,70
24000	371	8,38	3,07
24000	403	7,72	2,83

P4Z 279

Mn ₂ [Nm]	i	Pn ₁ [kW]	n ₂ [rpm]
36000	119	39,1	9,54
36000	136	34,3	8,37
36000	156	29,9	7,31
36000	180	26,0	6,34
36000	209	22,4	5,46
36000	226	20,7	5,05
36000	250	18,7	4,56
36000	281	16,6	4,06
36000	332	14,1	3,43
36000	360	13,0	3,17
36000	388	12,0	2,94
36000	419	11,1	2,72

P4Z 349

Mn ₂ [Nm]	i	Pn ₁ [kW]	n ₂ [rpm]
70000	112	80,9	10,1
70000	125	72,8	9,14
70000	143	63,6	7,99
70000	164	55,3	6,94
70000	191	47,6	5,98
70000	206	44,1	5,53
70000	247	36,7	4,61
70000	287	31,6	3,97
70000	312	29,2	3,66
70000	350	25,9	3,25
68700	374	23,8	3,05
70000	404	22,5	2,82

P4Z 399

Mn ₂ [Nm]	i	Pn ₁ [kW]	n ₂ [rpm]
90000	97,1	120	11,7
90000	109	107	10,5
90000	123	95,1	9,28
90000	147	79,4	7,76
90000	159	73,3	7,15
90000	173	67,4	6,58
90000	209	56,0	5,46
90000	237	49,2	4,81
90000	256	45,6	4,45
90000	277	42,1	4,11
90000	293	39,9	3,89
90000	319	36,6	3,57

P4Z 409

Mn ₂ [Nm]	i	Pn ₁ [kW]	n ₂ [rpm]
110000	117	121	9,70
110000	132	108	8,66
110000	149	96,0	7,67
110000	178	80,3	6,41
110000	193	74,0	5,91
110000	210	68,1	5,44
110000	252	56,5	4,52
110000	287	49,7	3,97
110000	310	46,1	3,68
110000	335	42,6	3,40
110000	354	40,2	3,22
110000	386	37,0	2,95

P2Z 179

Mn ₂ [Nm]	i	Pn ₁ [kW]	n ₂ [rpm]
9000	6,37	139	141
9000	7,14	124	126
9000	8,06	110	112
9000	9,64	91,7	93,4
9000	10,5	84,5	86,1
9000	11,4	77,7	79,2
9000	13,7	64,5	65,7
9000	15,6	56,8	57,8
8770	16,8	51,3	53,6
8280	18,2	44,7	49,5
6990	19,2	35,7	46,9
7170	20,9	33,6	43,0

P2Z 219

Mn ₂ [Nm]	i	Pn ₁ [kW]	n ₂ [rpm]
15100	6,28	236	143
15900	7,28	214	124
16300	7,86	204	115
16800	8,50	193	106
17200	9,22	183	97,6
17700	10,0	173	89,7
18200	11,0	163	82,2
17500	12,7	135	70,9
16400	14,7	110	61,3
15300	16,1	93,0	55,9
14500	17,4	81,7	51,7
13600	18,9	70,5	47,5

P2Z 269

Mn ₂ [Nm]	i	Pn ₁ [kW]	n ₂ [rpm]
29000	6,44	442	140
29000	7,47	381	120
29000	8,74	326	103
29000	9,49	300	94,8
29000	10,3	276	87,1
29000	11,1	256	80,8
29000	12,0	237	74,8
29000	14,2	201	63,6
28100	16,3	169	55,4
25700	17,5	145	51,6
25900	18,9	134	47,7
21700	20,7	103	43,6

P2Z 199

Mn ₂ [Nm]	i	Pn ₁ [kW]	n ₂ [rpm]
11000	7,91	137	114
11000	8,87	122	101
11000	10,0	108	89,9
11000	12,0	90,1	75,1
11000	13,0	83,2	69,3
11000	14,1	76,5	63,7
11000	17,0	63,5	52,9
11000	19,3	55,9	46,6
10900	20,9	51,3	43,2
10300	22,6	44,7	39,8
8680	23,9	35,7	37,7
8910	26,0	33,7	34,6

P2Z 249

Mn ₂ [Nm]	i	Pn ₁ [kW]	n ₂ [rpm]
19200	7,96	237	113
20200	9,23	214	97,5
20700	9,96	204	90,4
21300	10,8	194	83,5
21800	11,7	183	77,0
22400	12,7	173	70,8
23100	13,9	163	64,8
22200	16,1	135	55,9
20800	18,6	110	48,3
19300	20,4	92,8	44,1
18300	22,1	81,3	40,7
17200	24,0	70,4	37,5

P2Z 279

Mn ₂ [Nm]	i	Pn ₁ [kW]	n ₂ [rpm]
36000	7,96	444	113
36000	9,25	382	97,3
36000	10,8	327	83,3
36000	11,7	301	76,7
36000	12,8	277	70,4
36000	13,8	256	65,3
36000	14,9	237	60,4
36000	17,5	202	51,4
34700	20,1	169	44,7
31800	21,6	144	41,7
32000	23,4	134	38,5
26900	25,6	103	35,2

P2Z 319

Mn ₂ [Nm]	i	Pn ₁ [kW]	n ₂ [rpm]
44200	6,33	685	142
46400	7,31	622	123
48800	8,50	563	106
50900	9,73	514	92,5
52400	10,6	486	85,1
53900	11,6	458	77,9
50900	13,3	376	67,7
51200	14,4	348	62,3
45800	15,5	290	58,0
46400	16,7	272	53,8
40700	19,0	211	47,5
39600	20,5	190	43,9

P2Z 399

Mn ₂ [Nm]	i	Pn ₁ [kW]	n ₂ [rpm]
80700	6,62	1200	136
84600	7,57	1100	119
88700	8,72	998	103
90000	9,38	942	95,9
90000	10,1	873	88,9
90000	10,9	808	82,3
90000	12,3	720	73,3
90000	13,2	668	68,1
88000	15,2	567	59,1
75100	17,2	428	52,3
75800	18,6	400	48,4
74300	20,2	361	44,5

P2Z 349

Mn ₂ [Nm]	i	Pn ₁ [kW]	n ₂ [rpm]
56800	8,14	714	111
59700	9,40	650	95,7
62700	10,9	588	82,4
65500	12,5	536	71,9
67300	13,6	507	66,1
69300	14,9	478	60,6
65400	17,1	392	52,7
65900	18,6	364	48,5
58900	20,0	302	45,1
59600	21,5	284	41,8
52300	24,4	220	36,9
51000	26,3	198	34,2

P2Z 409

Mn ₂ [Nm]	i	Pn ₁ [kW]	n ₂ [rpm]
97600	8,01	1200	112
102000	9,16	1100	98,3
107000	10,6	997	85,3
110000	11,4	951	79,3
110000	12,2	882	73,5
110000	13,2	816	68,0
110000	14,8	728	60,6
110000	16,0	675	56,3
106000	18,4	566	48,8
90800	20,8	429	43,3
91800	22,5	400	40,0
89900	24,4	361	36,8

P3Z 179

Mn ₂ [Nm]	i	Pn ₁ [kW]	n ₂ [rpm]
9000	24,5	36,8	36,7
9000	28,0	32,2	32,2
9000	32,1	28,1	28,1
9000	36,9	24,4	24,4
9000	42,9	21,0	21,0
9000	46,4	19,4	19,4
9000	51,4	17,5	17,5
9000	57,7	15,6	15,6
9000	68,2	13,2	13,2
9000	73,9	12,2	12,2
9000	79,8	11,3	11,3
9000	86,2	10,5	10,4

P3Z 219

Mn ₂ [Nm]	i	Pn ₁ [kW]	n ₂ [rpm]
19000	22,6	84,3	39,8
19000	25,1	75,9	35,9
19000	28,7	66,4	31,4
19000	33,0	57,7	27,2
19000	38,3	49,7	23,5
19000	41,5	45,9	21,7
19000	49,8	38,3	18,1
19000	57,8	32,9	15,6
18700	62,7	29,9	14,4
16400	70,5	23,3	12,8
15700	75,3	20,9	12,0
14900	81,3	18,4	11,1

P3Z 269

Mn ₂ [Nm]	i	Pn ₁ [kW]	n ₂ [rpm]
29000	25,1	116	35,9
29000	28,1	104	32,1
29000	31,7	91,7	28,4
29000	37,9	76,7	23,7
29000	41,1	70,7	21,9
29000	44,7	65,0	20,1
29000	53,9	54,0	16,7
29000	61,2	47,5	14,7
29000	66,1	44,0	13,6
29000	71,5	40,6	12,6
24300	75,6	32,2	11,9
27700	82,3	33,7	10,9

P3Z 199

Mn ₂ [Nm]	i	Pn ₁ [kW]	n ₂ [rpm]
11000	30,5	36,2	29,5
11000	34,8	31,7	25,9
11000	39,8	27,7	22,6
11000	45,9	24,0	19,6
11000	53,3	20,7	16,9
11000	57,7	19,1	15,6
11000	63,9	17,3	14,1
11000	71,7	15,4	12,6
11000	84,7	13,0	10,6
11000	91,8	12,0	9,81
11000	99,1	11,1	9,09
11000	107	10,3	8,41

P3Z 249

Mn ₂ [Nm]	i	Pn ₁ [kW]	n ₂ [rpm]
24000	28,6	84,0	31,4
24000	31,8	75,6	28,3
24000	36,4	66,1	24,7
24000	41,9	57,4	21,5
24000	48,6	49,5	18,5
24000	52,6	45,8	17,1
24000	63,1	38,1	14,3
24000	73,3	32,8	12,3
23700	79,4	29,9	11,3
20700	89,4	23,2	10,1
20000	95,4	21,0	9,43
18900	103	18,4	8,74

P3Z 279

Mn ₂ [Nm]	i	Pn ₁ [kW]	n ₂ [rpm]
36000	31,0	116	29,0
36000	34,8	104	25,9
36000	39,2	92,0	22,9
36000	46,9	76,9	19,2
36000	50,9	70,9	17,7
36000	55,3	65,2	16,3
36000	66,6	54,2	13,5
36000	75,7	47,7	11,9
36000	81,7	44,2	11,0
36000	88,5	40,8	10,2
30000	93,5	32,2	9,63
34200	102	33,7	8,84

P3Z 319

Mn ₂ [Nm]	i	Pn ₁ [kW]	n ₂ [rpm]
55000	24,3	227	37,1
55000	28,2	196	32,0
55000	30,4	181	29,6
55000	32,9	168	27,4
55000	35,7	155	25,2
55000	38,8	142	23,2
55000	42,4	130	21,3
55000	49,1	112	18,3
55000	56,8	97,1	15,8
55000	62,3	88,6	14,5
54800	67,4	81,5	13,4
51400	73,2	70,4	12,3

P3Z 399

Mn ₂ [Nm]	i	Pn ₁ [kW]	n ₂ [rpm]
90000	24,9	362	36,1
90000	29,0	312	31,1
90000	33,9	266	26,6
90000	36,8	245	24,5
90000	40,0	226	22,5
90000	43,2	209	20,8
90000	46,6	194	19,3
90000	54,9	164	16,4
90000	63,0	143	14,3
90000	67,6	133	13,3
90000	73,2	123	12,3
82500	80,0	103	11,2

P3Z 349

Mn ₂ [Nm]	i	Pn ₁ [kW]	n ₂ [rpm]
70000	31,2	225	28,8
70000	36,2	194	24,9
70000	39,1	180	23,0
70000	42,3	166	21,3
70000	45,9	153	19,6
70000	49,9	141	18,0
70000	54,5	129	16,5
70000	63,1	111	14,3
70000	73,0	96,1	12,3
70000	80,1	87,7	11,2
70000	86,6	81,0	10,4
66100	94,1	70,4	9,56

P3Z 409

Mn ₂ [Nm]	i	Pn ₁ [kW]	n ₂ [rpm]
110000	30,2	366	29,8
110000	35,0	315	25,7
110000	41,0	269	22,0
110000	44,5	248	20,2
110000	48,4	228	18,6
110000	52,2	211	17,2
110000	56,4	196	16,0
110000	66,4	166	13,6
110000	76,2	145	11,8
110000	81,8	135	11,0
110000	88,5	125	10,2
99800	96,8	103	9,30

P4Z 219

Mn ₂ [Nm]	i	Pn ₁ [kW]	n ₂ [rpm]
19000	87,8	22,2	10,3
19000	93,4	20,8	9,64
19000	106	18,4	8,49
19000	121	16,1	7,44
19000	139	14,0	6,49
19000	161	12,1	5,60
19000	188	10,4	4,79
19000	204	9,53	4,41
19000	224	8,69	4,02
19000	243	8,01	3,71
19000	293	6,64	3,07
19000	318	6,12	2,83

P4Z 269

Mn ₂ [Nm]	i	Pn ₁ [kW]	n ₂ [rpm]
29000	96,5	30,8	9,32
29000	110	27,0	8,18
29000	126	23,6	7,14
29000	145	20,4	6,19
29000	169	17,6	5,33
29000	183	16,3	4,93
29000	202	14,7	4,45
29000	227	13,1	3,96
29000	268	11,1	3,35
29000	291	10,2	3,10
29000	314	9,47	2,87
29000	339	8,76	2,65

P4Z 319

Mn ₂ [Nm]	i	Pn ₁ [kW]	n ₂ [rpm]
55000	87,4	64,5	10,3
55000	97,0	58,1	9,28
55000	111	50,8	8,11
55000	128	44,1	7,04
55000	148	38,0	6,07
55000	160	35,1	5,61
55000	192	29,3	4,68
55000	224	25,2	4,03
55000	242	23,3	3,71
55000	273	20,7	3,30
54200	291	19,1	3,09
55000	314	17,9	2,86

P4Z 249

Mn ₂ [Nm]	i	Pn ₁ [kW]	n ₂ [rpm]
24000	111	22,1	8,08
24000	118	20,8	7,60
24000	134	18,3	6,70
24000	153	16,0	5,87
24000	176	14,0	5,12
24000	204	12,1	4,42
24000	238	10,3	3,78
24000	259	9,49	3,47
24000	284	8,65	3,17
24000	308	7,98	2,92
24000	371	6,62	2,42
24000	403	6,10	2,23

P4Z 279

Mn ₂ [Nm]	i	Pn ₁ [kW]	n ₂ [rpm]
36000	119	30,9	7,54
36000	136	27,1	6,61
36000	156	23,6	5,77
36000	180	20,5	5,01
36000	209	17,7	4,31
36000	226	16,3	3,98
36000	250	14,7	3,60
36000	281	13,1	3,20
36000	332	11,1	2,71
36000	360	10,3	2,50
36000	388	9,50	2,32
36000	419	8,79	2,15

P4Z 349

Mn ₂ [Nm]	i	Pn ₁ [kW]	n ₂ [rpm]
70000	112	63,8	8,01
70000	125	57,5	7,22
70000	143	50,2	6,31
70000	164	43,6	5,48
70000	191	37,6	4,72
70000	206	34,8	4,37
70000	247	29,0	3,64
70000	287	24,9	3,13
70000	312	23,0	2,89
70000	350	20,5	2,57
69700	374	19,1	2,41
70000	404	17,7	2,23

P4Z 399

Mn ₂ [Nm]	i	Pn ₁ [kW]	n ₂ [rpm]
90000	97,1	94,9	9,27
90000	109	84,7	8,27
90000	123	75,0	7,33
90000	147	62,7	6,12
90000	159	57,9	5,65
90000	173	53,2	5,19
90000	209	44,2	4,31
90000	237	38,9	3,79
90000	256	36,0	3,52
90000	277	33,3	3,25
90000	293	31,5	3,07
90000	319	28,9	2,82

P4Z 409

Mn ₂ [Nm]	i	Pn ₁ [kW]	n ₂ [rpm]
110000	117	95,9	7,66
110000	132	85,6	6,84
110000	149	75,8	6,06
110000	178	63,4	5,06
110000	193	58,5	4,67
110000	210	53,8	4,29
110000	252	44,6	3,57
110000	287	39,3	3,14
110000	310	36,4	2,91
110000	335	33,6	2,68
110000	354	31,8	2,54
110000	386	29,2	2,33

P2Z 179

Mn ₂ [Nm]	i	Pn ₁ [kW]	n ₂ [rpm]
9000	6,37	108	110
9000	7,14	96,2	98,0
9000	8,06	85,3	86,8
9000	9,64	71,3	72,6
9000	10,5	65,8	67,0
9000	11,4	60,4	61,6
9000	13,7	50,2	51,1
9000	15,6	44,2	45,0
8820	16,8	40,1	41,7
8330	18,2	35,0	38,5
7030	19,2	27,9	36,4
7220	20,9	26,3	33,4

P2Z 219

Mn ₂ [Nm]	i	Pn ₁ [kW]	n ₂ [rpm]
16000	6,28	194	111
16800	7,28	176	96,2
17300	7,86	168	89,1
17700	8,50	159	82,4
18200	9,22	150	75,9
18700	10,0	142	69,8
19000	11,0	132	63,9
17600	12,7	106	55,2
16500	14,7	85,6	47,7
15300	16,1	72,6	43,5
14500	17,4	63,6	40,2
13700	18,9	55,1	37,0

P2Z 269

Mn ₂ [Nm]	i	Pn ₁ [kW]	n ₂ [rpm]
29000	6,44	344	109
29000	7,47	296	93,7
29000	8,74	253	80,1
29000	9,49	233	73,8
29000	10,3	214	67,8
29000	11,1	199	62,8
29000	12,0	184	58,2
29000	14,2	156	49,4
28200	16,3	132	43,1
25900	17,5	113	40,1
26000	18,9	105	37,1
21900	20,7	80,8	33,9

P2Z 199

Mn ₂ [Nm]	i	Pn ₁ [kW]	n ₂ [rpm]
11000	7,91	106	88,5
11000	8,87	94,7	78,9
11000	10,0	83,9	69,9
11000	12,0	70,1	58,4
11000	13,0	64,7	53,9
11000	14,1	59,5	49,6
11000	17,0	49,4	41,2
11000	19,3	43,4	36,2
11000	20,9	40,1	33,6
10400	22,6	35,0	31,0
8730	23,9	27,9	29,4
8960	26,0	26,3	26,9

P2Z 249

Mn ₂ [Nm]	i	Pn ₁ [kW]	n ₂ [rpm]
20300	7,96	194	87,9
21300	9,23	176	75,8
21900	9,96	168	70,3
22500	10,8	159	64,9
23100	11,7	151	59,9
23700	12,7	142	55,0
24000	13,9	132	50,4
22300	16,1	106	43,5
20900	18,6	85,5	37,6
19400	20,4	72,6	34,3
18400	22,1	63,6	31,7
17300	24,0	55,0	29,2

P2Z 279

Mn ₂ [Nm]	i	Pn ₁ [kW]	n ₂ [rpm]
36000	7,96	345	87,9
36000	9,25	297	75,7
36000	10,8	254	64,8
36000	11,7	234	59,6
36000	12,8	215	54,8
36000	13,8	199	50,8
36000	14,9	185	47,0
36000	17,5	157	40,0
34900	20,1	132	34,8
32000	21,6	113	32,4
32200	23,4	105	30,0
27000	25,6	80,7	27,4

P2Z 319

Mn ₂ [Nm]	i	Pn ₁ [kW]	n ₂ [rpm]
46700	6,33	563	111
49000	7,31	512	95,8
51500	8,50	463	82,4
53800	9,73	422	71,9
55000	10,6	397	66,2
55000	11,6	364	60,6
51200	13,3	294	52,7
51500	14,4	272	48,5
46100	15,5	227	45,1
46600	16,7	212	41,8
40900	19,0	165	36,9
39900	20,5	149	34,2

P2Z 399

Mn ₂ [Nm]	i	Pn ₁ [kW]	n ₂ [rpm]
85300	6,62	983	106
89300	7,57	901	92,5
90000	8,72	788	80,3
90000	9,38	733	74,6
90000	10,1	679	69,2
90000	10,9	628	64,0
90000	12,3	560	57,0
90000	13,2	520	53,0
88500	15,2	443	45,9
75500	17,2	335	40,7
76300	18,6	313	37,6
74700	20,2	282	34,6

P2Z 349

Mn ₂ [Nm]	i	Pn ₁ [kW]	n ₂ [rpm]
60000	8,14	562	86,0
63000	9,40	512	74,5
66300	10,9	463	64,1
69200	12,5	422	56,0
70000	13,6	393	51,4
70000	14,9	360	47,1
65700	17,1	294	41,0
66200	18,6	272	37,7
59300	20,0	227	35,1
59900	21,5	212	32,5
52600	24,4	165	28,7
51200	26,3	148	26,6

P2Z 409

Mn ₂ [Nm]	i	Pn ₁ [kW]	n ₂ [rpm]
103000	8,01	982	87,4
108000	9,16	900	76,4
110000	10,6	796	66,4
110000	11,4	740	61,7
110000	12,2	686	57,2
110000	13,2	634	52,9
110000	14,8	566	47,2
110000	16,0	525	43,8
107000	18,4	443	38,0
91400	20,8	335	33,7
92300	22,5	313	31,1
90400	24,4	282	28,6

P3Z 179

Mn ₂ [Nm]	i	Pn ₁ [kW]	n ₂ [rpm]
9000	24,5	28,6	28,5
9000	28,0	25,1	25,0
9000	32,1	21,9	21,8
9000	36,9	19,0	18,9
9000	42,9	16,4	16,3
9000	46,4	15,1	15,1
9000	51,4	13,6	13,6
9000	57,7	12,2	12,1
9000	68,2	10,3	10,3
9000	73,9	9,50	9,47
9000	79,8	8,80	8,78
9000	86,2	8,14	8,12

P3Z 219

Mn ₂ [Nm]	i	Pn ₁ [kW]	n ₂ [rpm]
19000	22,6	65,6	31,0
19000	25,1	59,0	27,9
19000	28,7	51,6	24,4
19000	33,0	44,8	21,2
19000	38,3	38,6	18,3
19000	41,5	35,7	16,9
19000	49,8	29,8	14,1
19000	57,8	25,6	12,1
18800	62,7	23,4	11,2
16500	70,5	18,2	9,93
15800	75,3	16,4	9,30
15000	81,3	14,4	8,62

P3Z 269

Mn ₂ [Nm]	i	Pn ₁ [kW]	n ₂ [rpm]
29000	25,1	90,2	27,9
29000	28,1	80,5	24,9
29000	31,7	71,3	22,1
29000	37,9	59,6	18,5
29000	41,1	55,0	17,0
29000	44,7	50,6	15,7
29000	53,9	42,0	13,0
29000	61,2	36,9	11,4
29000	66,1	34,2	10,6
29000	71,5	31,6	9,79
24400	75,6	25,2	9,27
27900	82,3	26,4	8,50

P3Z 199

Mn ₂ [Nm]	i	Pn ₁ [kW]	n ₂ [rpm]
11000	30,5	28,1	23,0
11000	34,8	24,7	20,1
11000	39,8	21,5	17,6
11000	45,9	18,7	15,3
11000	53,3	16,1	13,1
11000	57,7	14,9	12,1
11000	63,9	13,4	11,0
11000	71,7	12,0	9,76
11000	84,7	10,1	8,26
11000	91,8	9,35	7,63
11000	99,1	8,66	7,07
11000	107	8,01	6,54

P3Z 249

Mn ₂ [Nm]	i	Pn ₁ [kW]	n ₂ [rpm]
24000	28,6	65,3	24,4
24000	31,8	58,8	22,0
24000	36,4	51,4	19,2
24000	41,9	44,7	16,7
24000	48,6	38,5	14,4
24000	52,6	35,6	13,3
24000	63,1	29,7	11,1
24000	73,3	25,5	9,55
23900	79,4	23,4	8,81
20900	89,4	18,2	7,83
20100	95,4	16,4	7,34
19000	103	14,4	6,79

P3Z 279

Mn ₂ [Nm]	i	Pn ₁ [kW]	n ₂ [rpm]
36000	31,0	90,5	22,6
36000	34,8	80,8	20,1
36000	39,2	71,6	17,8
36000	46,9	59,8	14,9
36000	50,9	55,2	13,8
36000	55,3	50,7	12,7
36000	66,6	42,1	10,5
36000	75,7	37,1	9,24
36000	81,7	34,4	8,57
36000	88,5	31,7	7,91
30200	93,5	25,1	7,49
34500	102	26,4	6,87

P3Z 319

Mn ₂ [Nm]	i	Pn ₁ [kW]	n ₂ [rpm]
55000	24,3	177	28,8
55000	28,2	152	24,9
55000	30,4	141	23,0
55000	32,9	130	21,3
55000	35,7	120	19,6
55000	38,8	111	18,0
55000	42,4	101	16,5
55000	49,1	87,4	14,3
55000	56,8	75,5	12,3
55000	62,3	68,9	11,2
55000	67,4	63,7	10,4
51700	73,2	55,1	9,56

P3Z 399

Mn ₂ [Nm]	i	Pn ₁ [kW]	n ₂ [rpm]
90000	24,9	281	28,1
90000	29,0	242	24,2
90000	33,9	207	20,7
90000	36,8	191	19,0
90000	40,0	175	17,5
90000	43,2	163	16,2
90000	46,6	151	15,0
90000	54,9	128	12,8
90000	63,0	111	11,1
90000	67,6	104	10,4
90000	73,2	95,9	9,57
83000	80,0	80,9	8,75

P3Z 349

Mn ₂ [Nm]	i	Pn ₁ [kW]	n ₂ [rpm]
70000	31,2	175	22,4
70000	36,2	151	19,3
70000	39,1	140	17,9
70000	42,3	129	16,6
70000	45,9	119	15,3
70000	49,9	109	14,0
70000	54,5	100	12,9
70000	63,1	86,5	11,1
70000	73,0	74,8	9,59
70000	80,1	68,2	8,74
70000	86,6	63,0	8,08
66600	94,1	55,1	7,44

P3Z 409

Mn ₂ [Nm]	i	Pn ₁ [kW]	n ₂ [rpm]
110000	30,2	284	23,2
110000	35,0	245	20,0
110000	41,0	209	17,1
110000	44,5	193	15,7
110000	48,4	177	14,5
110000	52,2	164	13,4
110000	56,4	152	12,4
110000	66,4	129	10,5
110000	76,2	113	9,19
110000	81,8	105	8,56
110000	88,5	96,9	7,91
100000	96,8	80,9	7,23

P4Z 219

Mn ₂ [Nm]	i	Pn ₁ [kW]	n ₂ [rpm]
19000	87,8	17,2	7,97
19000	93,4	16,2	7,49
19000	106	14,3	6,60
19000	121	12,5	5,79
19000	139	10,9	5,04
19000	161	9,43	4,36
19000	188	8,06	3,72
19000	204	7,41	3,43
19000	224	6,76	3,12
19000	243	6,23	2,88
19000	293	5,17	2,39
19000	318	4,76	2,20

P4Z 269

Mn ₂ [Nm]	i	Pn ₁ [kW]	n ₂ [rpm]
29000	96,5	23,9	7,25
29000	110	21,0	6,36
29000	126	18,3	5,55
29000	145	15,9	4,82
29000	169	13,7	4,15
29000	183	12,7	3,83
29000	202	11,4	3,46
29000	227	10,2	3,08
29000	268	8,61	2,61
29000	291	7,95	2,41
29000	314	7,36	2,23
29000	339	6,81	2,06

P4Z 319

Mn ₂ [Nm]	i	Pn ₁ [kW]	n ₂ [rpm]
55000	87,4	50,2	8,01
55000	97,0	45,2	7,22
55000	111	39,5	6,31
55000	128	34,3	5,48
55000	148	29,6	4,72
55000	160	27,3	4,37
55000	192	22,8	3,64
55000	224	19,6	3,13
55000	242	18,1	2,89
55000	273	16,1	2,57
54500	291	14,9	2,41
55000	314	13,9	2,23

P4Z 249

Mn ₂ [Nm]	i	Pn ₁ [kW]	n ₂ [rpm]
24000	111	17,2	6,29
24000	118	16,1	5,91
24000	134	14,2	5,21
24000	153	12,5	4,57
24000	176	10,9	3,98
24000	204	9,39	3,44
24000	238	8,03	2,94
24000	259	7,38	2,70
24000	284	6,73	2,46
24000	308	6,21	2,27
24000	371	5,15	1,88
24000	403	4,74	1,74

P4Z 279

Mn ₂ [Nm]	i	Pn ₁ [kW]	n ₂ [rpm]
36000	119	24,0	5,86
36000	136	21,1	5,14
36000	156	18,4	4,49
36000	180	16,0	3,89
36000	209	13,7	3,35
36000	226	12,7	3,10
36000	250	11,5	2,80
36000	281	10,2	2,49
36000	332	8,64	2,11
36000	360	7,98	1,95
36000	388	7,39	1,80
36000	419	6,84	1,67

P4Z 349

Mn ₂ [Nm]	i	Pn ₁ [kW]	n ₂ [rpm]
70000	112	49,6	6,23
70000	125	44,7	5,61
70000	143	39,1	4,91
70000	164	33,9	4,26
70000	191	29,3	3,67
70000	206	27,1	3,40
70000	247	22,5	2,83
70000	287	19,4	2,43
70000	312	17,9	2,25
70000	350	15,9	2,00
70000	374	14,9	1,87
70000	404	13,8	1,73

P4Z 399

Mn ₂ [Nm]	i	Pn ₁ [kW]	n ₂ [rpm]
90000	97,1	73,8	7,21
90000	109	65,9	6,43
90000	123	58,4	5,70
90000	147	48,8	4,76
90000	159	45,0	4,39
90000	173	41,4	4,04
90000	209	34,4	3,35
90000	237	30,2	2,95
90000	256	28,0	2,74
90000	277	25,9	2,53
90000	293	24,5	2,39
90000	319	22,5	2,19

P4Z 409

Mn ₂ [Nm]	i	Pn ₁ [kW]	n ₂ [rpm]
110000	117	74,6	5,96
110000	132	66,6	5,32
110000	149	59,0	4,71
110000	178	49,3	3,94
110000	193	45,5	3,63
110000	210	41,8	3,34
110000	252	34,7	2,77
110000	287	30,5	2,44
110000	310	28,3	2,26
110000	335	26,1	2,09
110000	354	24,7	1,98
110000	386	22,7	1,81

P2Z 179

Mn ₂ [Nm]	i	Pn ₁ [kW]	n ₂ [rpm]
9000	6,37	77,1	78,5
9000	7,14	68,7	70,0
9000	8,06	60,9	62,0
9000	9,64	50,9	51,9
9000	10,5	47,0	47,8
9000	11,4	43,2	44,0
9000	13,7	35,9	36,5
9000	15,6	31,5	32,1
9000	16,8	29,2	29,8
8510	18,2	25,5	27,5
7140	19,2	20,3	26,0
7380	20,9	19,2	23,9

P2Z 219

Mn ₂ [Nm]	i	Pn ₁ [kW]	n ₂ [rpm]
18600	6,28	162	79,6
19000	7,28	142	68,7
19000	7,86	132	63,6
19000	8,50	122	58,8
19000	9,22	112	54,2
19000	10,0	103	49,9
19000	11,0	94,6	45,7
17800	12,7	76,7	39,4
16800	14,7	62,3	34,1
15600	16,1	52,8	31,1
14800	17,4	46,3	28,7
14000	18,9	40,2	26,4

P2Z 269

Mn ₂ [Nm]	i	Pn ₁ [kW]	n ₂ [rpm]
29000	6,44	246	77,6
29000	7,47	212	66,9
29000	8,74	181	57,2
29000	9,49	167	52,7
29000	10,3	153	48,4
29000	11,1	142	44,9
29000	12,0	131	41,6
29000	14,2	112	35,3
28700	16,3	96,1	30,8
26200	17,5	81,9	28,7
26500	18,9	76,5	26,5
22300	20,7	58,9	24,2

P2Z 199

Mn ₂ [Nm]	i	Pn ₁ [kW]	n ₂ [rpm]
11000	7,91	75,8	63,2
11000	8,87	67,6	56,4
11000	10,0	59,9	50,0
11000	12,0	50,1	41,7
11000	13,0	46,2	38,5
11000	14,1	42,5	35,4
11000	17,0	35,3	29,4
11000	19,3	31,0	25,9
11000	20,9	28,8	24,0
10600	22,6	25,5	22,1
8870	23,9	20,3	21,0
9160	26,0	19,2	19,2

P2Z 249

Mn ₂ [Nm]	i	Pn ₁ [kW]	n ₂ [rpm]
23600	7,96	162	62,8
24000	9,23	142	54,2
24000	9,96	131	50,2
24000	10,8	121	46,4
24000	11,7	112	42,8
24000	12,7	103	39,3
24000	13,9	94,3	36,0
22600	16,1	76,6	31,1
21300	18,6	62,2	26,9
19800	20,4	52,8	24,5
18800	22,1	46,3	22,6
17700	24,0	40,1	20,8

P2Z 279

Mn ₂ [Nm]	i	Pn ₁ [kW]	n ₂ [rpm]
36000	7,96	247	62,8
36000	9,25	212	54,1
36000	10,8	182	46,3
36000	11,7	167	42,6
36000	12,8	154	39,1
36000	13,8	142	36,3
36000	14,9	132	33,6
36000	17,5	112	28,5
35500	20,1	96,2	24,9
32400	21,6	81,8	23,1
32800	23,4	76,5	21,4
27600	25,6	58,8	19,6

P2Z 319

Mn ₂ [Nm]	i	Pn ₁ [kW]	n ₂ [rpm]
54400	6,33	468	79,0
55000	7,31	410	68,4
55000	8,50	353	58,8
55000	9,73	308	51,4
55000	10,6	284	47,3
55000	11,6	260	43,3
51900	13,3	213	37,6
52200	14,4	197	34,6
46700	15,5	164	32,2
47200	16,7	154	29,9
41400	19,0	119	26,4
40500	20,5	108	24,4

P2Z 399

Mn ₂ [Nm]	i	Pn ₁ [kW]	n ₂ [rpm]
90000	6,62	741	75,5
90000	7,57	648	66,1
90000	8,72	563	57,3
90000	9,38	523	53,3
90000	10,1	485	49,4
90000	10,9	449	45,7
90000	12,3	400	40,7
90000	13,2	371	37,8
89900	15,2	322	32,8
76700	17,2	243	29,1
77400	18,6	227	26,9
75900	20,2	205	24,7

P2Z 349

Mn ₂ [Nm]	i	Pn ₁ [kW]	n ₂ [rpm]
69900	8,14	468	61,4
70000	9,40	406	53,2
70000	10,9	350	45,8
70000	12,5	305	40,0
70000	13,6	281	36,7
70000	14,9	257	33,7
66800	17,1	213	29,3
67100	18,6	197	26,9
60100	20,0	164	25,1
60700	21,5	154	23,2
53200	24,4	119	20,5
52100	26,3	108	19,0

P2Z 409

Mn ₂ [Nm]	i	Pn ₁ [kW]	n ₂ [rpm]
110000	8,01	749	62,4
110000	9,16	655	54,6
110000	10,6	569	47,4
110000	11,4	529	44,1
110000	12,2	490	40,8
110000	13,2	453	37,8
110000	14,8	404	33,7
110000	16,0	375	31,3
109000	18,4	322	27,1
92700	20,8	243	24,0
93600	22,5	227	22,2
91900	24,4	205	20,5

P3Z 179

Mn ₂ [Nm]	i	Pn ₁ [kW]	n ₂ [rpm]
9000	24,5	20,4	20,4
9000	28,0	17,9	17,9
9000	32,1	15,6	15,6
9000	36,9	13,6	13,5
9000	42,9	11,7	11,7
9000	46,4	10,8	10,8
9000	51,4	9,75	9,72
9000	57,7	8,68	8,66
9000	68,2	7,35	7,33
9000	73,9	6,79	6,77
9000	79,8	6,28	6,27
9000	86,2	5,82	5,80

P3Z 219

Mn ₂ [Nm]	i	Pn ₁ [kW]	n ₂ [rpm]
19000	22,6	46,8	22,1
19000	25,1	42,2	19,9
19000	28,7	36,9	17,4
19000	33,0	32,0	15,1
19000	38,3	27,6	13,0
19000	41,5	25,5	12,1
19000	49,8	21,3	10,0
19000	57,8	18,3	8,65
19000	62,7	16,9	7,98
16700	70,5	13,2	7,09
16000	75,3	11,8	6,64
15400	81,3	10,5	6,15

P3Z 269

Mn ₂ [Nm]	i	Pn ₁ [kW]	n ₂ [rpm]
29000	25,1	64,5	20,0
29000	28,1	57,5	17,8
29000	31,7	51,0	15,8
29000	37,9	42,6	13,2
29000	41,1	39,3	12,2
29000	44,7	36,1	11,2
29000	53,9	30,0	9,29
29000	61,2	26,4	8,17
29000	66,1	24,5	7,57
29000	71,5	22,6	6,99
24800	75,6	18,2	6,62
28500	82,3	19,3	6,07

P3Z 199

Mn ₂ [Nm]	i	Pn ₁ [kW]	n ₂ [rpm]
11000	30,5	20,1	16,4
11000	34,8	17,6	14,4
11000	39,8	15,4	12,6
11000	45,9	13,4	10,9
11000	53,3	11,5	9,38
11000	57,7	10,6	8,67
11000	63,9	9,59	7,83
11000	71,7	8,55	6,97
11000	84,7	7,23	5,90
11000	91,8	6,68	5,45
11000	99,1	6,18	5,05
11000	107	5,72	4,67

P3Z 249

Mn ₂ [Nm]	i	Pn ₁ [kW]	n ₂ [rpm]
24000	28,6	46,7	17,5
24000	31,8	42,0	15,7
24000	36,4	36,7	13,7
24000	41,9	31,9	11,9
24000	48,6	27,5	10,3
24000	52,6	25,4	9,51
24000	63,1	21,2	7,93
24000	73,3	18,2	6,82
24000	79,4	16,8	6,29
21100	89,4	13,2	5,59
20300	95,4	11,8	5,24
19500	103	10,5	4,85

P3Z 279

Mn ₂ [Nm]	i	Pn ₁ [kW]	n ₂ [rpm]
36000	31,0	64,7	16,1
36000	34,8	57,7	14,4
36000	39,2	51,1	12,7
36000	46,9	42,7	10,7
36000	50,9	39,4	9,83
36000	55,3	36,2	9,04
36000	66,6	30,1	7,50
36000	75,7	26,5	6,60
36000	81,7	24,5	6,12
36000	88,5	22,7	5,65
30600	93,5	18,2	5,35
35300	102	19,3	4,91

P3Z 319

Mn ₂ [Nm]	i	Pn ₁ [kW]	n ₂ [rpm]
55000	24,3	126	20,6
55000	28,2	109	17,8
55000	30,4	101	16,5
55000	32,9	93,1	15,2
55000	35,7	85,9	14,0
55000	38,8	79,0	12,9
55000	42,4	72,3	11,8
55000	49,1	62,4	10,2
55000	56,8	53,9	8,80
55000	62,3	49,2	8,03
55000	67,4	45,5	7,42
52800	73,2	40,2	6,83

P3Z 399

Mn ₂ [Nm]	i	Pn ₁ [kW]	n ₂ [rpm]
90000	24,9	201	20,0
90000	29,0	173	17,3
90000	33,9	148	14,8
90000	36,8	136	13,6
90000	40,0	125	12,5
90000	43,2	116	11,6
90000	46,6	108	10,7
90000	54,9	91,4	9,11
90000	63,0	79,6	7,94
90000	67,6	74,1	7,39
90000	73,2	68,5	6,83
84600	80,0	58,9	6,25

P3Z 349

Mn ₂ [Nm]	i	Pn ₁ [kW]	n ₂ [rpm]
70000	31,2	125	16,0
70000	36,2	108	13,8
70000	39,1	99,8	12,8
70000	42,3	92,2	11,8
70000	45,9	85,0	10,9
70000	49,9	78,1	10,0
70000	54,5	71,6	9,18
70000	63,1	61,8	7,92
70000	73,0	53,4	6,85
70000	80,1	48,7	6,25
70000	86,6	45,0	5,77
67900	94,1	40,1	5,31

P3Z 409

Mn ₂ [Nm]	i	Pn ₁ [kW]	n ₂ [rpm]
110000	30,2	203	16,6
110000	35,0	175	14,3
110000	41,0	150	12,2
110000	44,5	138	11,2
110000	48,4	127	10,3
110000	52,2	117	9,57
110000	56,4	109	8,87
110000	66,4	92,3	7,53
110000	76,2	80,4	6,56
110000	81,8	74,9	6,11
110000	88,5	69,2	5,65
102000	96,8	58,9	5,17

P4Z 219

Mn ₂ [Nm]	i	Pn ₁ [kW]	n ₂ [rpm]
19000	87,8	12,3	5,69
19000	93,4	11,6	5,35
19000	106	10,2	4,72
19000	121	8,94	4,14
19000	139	7,79	3,60
19000	161	6,73	3,11
19000	188	5,75	2,66
19000	204	5,29	2,45
19000	224	4,83	2,23
19000	243	4,45	2,06
19000	293	3,69	1,71
19000	318	3,40	1,57

P4Z 269

Mn ₂ [Nm]	i	Pn ₁ [kW]	n ₂ [rpm]
29000	96,5	17,1	5,18
29000	110	15,0	4,54
29000	126	13,1	3,97
29000	145	11,4	3,44
29000	169	9,78	2,96
29000	183	9,04	2,74
29000	202	8,16	2,47
29000	227	7,27	2,20
29000	268	6,15	1,86
29000	291	5,68	1,72
29000	314	5,26	1,59
29000	339	4,87	1,47

P4Z 319

Mn ₂ [Nm]	i	Pn ₁ [kW]	n ₂ [rpm]
55000	87,4	35,8	5,72
55000	97,0	32,3	5,15
55000	111	28,2	4,50
55000	128	24,5	3,91
55000	148	21,1	3,37
55000	160	19,5	3,12
55000	192	16,3	2,60
55000	224	14,0	2,24
55000	242	12,9	2,06
55000	273	11,5	1,83
55000	291	10,8	1,72
55000	314	9,96	1,59

P4Z 249

Mn ₂ [Nm]	i	Pn ₁ [kW]	n ₂ [rpm]
24000	111	12,3	4,49
24000	118	11,5	4,22
24000	134	10,2	3,72
24000	153	8,91	3,26
24000	176	7,76	2,84
24000	204	6,71	2,46
24000	238	5,73	2,10
24000	259	5,27	1,93
24000	284	4,81	1,76
24000	308	4,44	1,62
24000	371	3,68	1,35
24000	403	3,39	1,24

P4Z 279

Mn ₂ [Nm]	i	Pn ₁ [kW]	n ₂ [rpm]
36000	119	17,2	4,19
36000	136	15,0	3,67
36000	156	13,1	3,20
36000	180	11,4	2,78
36000	209	9,81	2,39
36000	226	9,07	2,21
36000	250	8,19	2,00
36000	281	7,29	1,78
36000	332	6,17	1,51
36000	360	5,70	1,39
36000	388	5,28	1,29
36000	419	4,88	1,19

P4Z 349

Mn ₂ [Nm]	i	Pn ₁ [kW]	n ₂ [rpm]
70000	112	35,5	4,45
70000	125	31,9	4,01
70000	143	27,9	3,50
70000	164	24,2	3,04
70000	191	20,9	2,62
70000	206	19,3	2,43
70000	247	16,1	2,02
70000	287	13,9	1,74
70000	312	12,8	1,61
70000	350	11,4	1,43
70000	374	10,6	1,34
70000	404	9,86	1,24

P4Z 399

Mn ₂ [Nm]	i	Pn ₁ [kW]	n ₂ [rpm]
90000	97,1	52,7	5,15
90000	109	47,1	4,59
90000	123	41,7	4,07
90000	147	34,8	3,40
90000	159	32,1	3,14
90000	173	29,6	2,89
90000	209	24,5	2,40
90000	237	21,6	2,11
90000	256	20,0	1,95
90000	277	18,5	1,80
90000	293	17,5	1,71
90000	319	16,1	1,57

P4Z 409

Mn ₂ [Nm]	i	Pn ₁ [kW]	n ₂ [rpm]
110000	117	53,3	4,26
110000	132	47,6	3,80
110000	149	42,1	3,36
110000	178	35,2	2,81
110000	193	32,5	2,59
110000	210	29,9	2,39
110000	252	24,8	1,98
110000	287	21,8	1,74
110000	310	20,2	1,61
110000	335	18,7	1,49
110000	354	17,7	1,41
110000	386	16,2	1,30

B3Z 179

Mn ₂ [Nm]	i	Pn ₁ [kW]	n ₂ [rpm]
6060	13,3	89,0	132
6790	14,9	89,0	118
7670	16,8	89,1	104
9000	20,1	87,3	87,1
9000	21,8	80,6	80,3
9000	23,7	74,1	73,9
9000	28,5	61,5	61,4
9000	32,4	54,1	54,0
9000	35,0	50,2	50,0
6850	37,9	35,2	46,2
8250	45,6	35,2	38,3
9000	51,9	33,8	33,7
9000	56,0	31,3	31,3
8890	60,6	28,6	28,9
6680	64,0	20,3	27,3
7720	69,8	21,6	25,1

B3Z 219

Mn ₂ [Nm]	i	Pn ₁ [kW]	n ₂ [rpm]
11100	12,0	180	145
12300	14,0	172	125
13000	15,1	168	116
13700	16,3	164	107
14500	17,7	160	99,0
15300	19,2	155	91,0
16200	21,0	150	83,4
17800	24,3	142	71,9
14600	28,2	101	62,2
12100	30,9	76,2	56,6
13200	33,8	76,2	51,8
15300	39,1	76,2	44,7
17500	45,3	75,3	38,6
16200	49,6	63,6	35,3
15400	53,7	55,9	32,6
14500	58,4	48,4	30,0

B3Z 269

Mn ₂ [Nm]	i	Pn ₁ [kW]	n ₂ [rpm]
19500	12,3	307	142
22600	14,3	308	122
26400	16,8	307	104
28700	18,2	307	96,3
29000	19,8	286	88,4
29000	21,4	265	81,9
29000	23,1	245	75,9
29000	27,1	208	64,5
29000	31,2	181	56,2
23300	34,4	132	50,9
25100	37,1	132	47,2
29000	43,7	129	40,1
29000	50,1	113	34,9
27200	53,8	98,3	32,5
27500	58,2	91,9	30,1
23200	63,7	71,0	27,5

B3Z 199

Mn ₂ [Nm]	i	Pn ₁ [kW]	n ₂ [rpm]
7530	16,5	89,0	106
8430	18,5	89,0	94,7
9520	20,9	89,0	83,9
11000	25,0	85,9	70,1
11000	27,1	79,3	64,7
11000	29,4	72,9	59,5
11000	35,4	60,5	49,4
11000	40,3	53,3	43,5
11000	43,5	49,4	40,3
8500	47,1	35,2	37,2
10200	56,7	35,2	30,9
11000	64,4	33,3	27,2
11000	69,5	30,8	25,2
11000	75,3	28,5	23,2
8290	79,5	20,3	22,0
9580	86,6	21,6	20,2

B3Z 249

Mn ₂ [Nm]	i	Pn ₁ [kW]	n ₂ [rpm]
14100	15,3	179	115
15700	17,7	172	98,9
16500	19,1	168	91,6
17400	20,7	164	84,7
18400	22,4	160	78,1
19400	24,4	155	71,8
20500	26,6	150	65,8
22500	30,9	142	56,7
18700	35,7	102	49,0
15400	39,2	76,3	44,6
16800	42,8	76,3	40,9
19500	49,6	76,4	35,3
22200	57,4	75,2	30,5
20600	62,9	63,8	27,8
19500	68,1	55,8	25,7
18400	74,0	48,5	23,6

B3Z 279

Mn ₂ [Nm]	i	Pn ₁ [kW]	n ₂ [rpm]
24100	15,3	308	115
28000	17,7	307	98,8
32700	20,7	307	84,4
35500	22,5	307	77,8
36000	24,5	287	71,5
36000	26,4	266	66,2
36000	28,5	246	61,3
36000	33,6	209	52,1
36000	38,6	182	45,4
28800	42,5	132	41,2
31100	45,9	132	38,1
36000	54,0	130	32,4
36000	62,0	113	28,2
33600	66,6	98,4	26,3
34000	72,0	92,0	24,3
28700	78,8	70,9	22,2

B3Z 319

Mn ₂ [Nm]	i	Pn ₁ [kW]	n ₂ [rpm]
30400	12,1	487	144
35100	14,0	487	125
40800	16,3	488	107
46700	18,7	488	93,8
50700	20,3	487	86,3
55000	22,1	484	79,0
53300	25,5	408	68,7
53700	27,7	378	63,2
47800	29,7	313	58,8
48400	32,1	294	54,6
40700	38,8	204	45,1
44200	42,1	204	41,6
47500	45,3	204	38,7
48900	48,8	195	35,9
42900	55,3	151	31,7
42100	59,7	137	29,3

B3Z 399

Mn ₂ [Nm]	i	Pn ₁ [kW]	n ₂ [rpm]
54700	12,7	840	138
62600	14,5	841	121
72100	16,7	841	105
77600	18,0	841	97,3
82100	19,4	825	90,3
87000	21,0	809	83,5
90000	23,5	746	74,4
90000	25,3	692	69,1
89300	29,2	596	59,9
65900	33,7	381	51,9
73900	37,8	381	46,2
79600	40,8	381	42,9
90000	47,0	373	37,2
79500	53,0	292	33,0
80300	57,4	273	30,5
78200	62,3	245	28,1

B3Z 349

Mn ₂ [Nm]	i	Pn ₁ [kW]	n ₂ [rpm]
39100	15,6	488	112
45100	18,0	487	97,1
52400	20,9	487	83,6
60000	24,0	488	73,0
65200	26,1	487	67,1
70000	28,5	479	61,5
68600	32,8	408	53,4
69000	35,6	378	49,2
61500	38,2	314	45,8
62200	41,2	294	42,4
52300	49,8	204	35,1
56700	54,1	204	32,3
61000	58,2	204	30,1
62900	62,8	195	27,9
55200	71,1	151	24,6
54200	76,8	137	22,8

B3Z 409

Mn ₂ [Nm]	i	Pn ₁ [kW]	n ₂ [rpm]
66200	15,4	841	114
75800	17,6	841	99,7
87200	20,2	841	86,6
93800	21,8	841	80,5
99300	23,5	825	74,6
105000	25,4	809	69,0
110000	28,5	754	61,5
110000	30,7	700	57,1
108000	35,3	595	49,5
79700	40,8	381	42,9
89400	45,8	381	38,2
96300	49,3	381	35,5
110000	56,9	377	30,8
96200	64,1	292	27,3
97100	69,4	273	25,2
94600	75,4	245	23,2

B4Z 219

Mn ₂ [Nm]	i	Pn ₁ [kW]	n ₂ [rpm]
19000	60,6	62,5	28,9
19000	70,3	53,8	24,9
19000	76,0	49,8	23,0
19000	91,2	41,5	19,2
19000	106	35,7	16,5
19000	115	32,9	15,2
15000	128	23,4	13,7
18000	153	23,3	11,4
19000	178	21,2	9,82
19000	193	19,6	9,06
18100	238	15,1	7,34
16100	275	11,6	6,36
15300	323	9,43	5,42

B4Z 269

Mn ₂ [Nm]	i	Pn ₁ [kW]	n ₂ [rpm]
29000	79,0	73,1	22,1
29000	85,7	67,4	20,4
29000	93,1	62,0	18,8
29000	112	51,5	15,6
29000	128	45,3	13,7
29000	138	42,0	12,7
26400	149	35,3	11,7
29000	180	32,2	9,75
29000	204	28,3	8,58
29000	220	26,2	7,95
29000	256	22,6	6,84
29000	292	19,8	5,98
26300	348	15,0	5,02

B4Z 319

Mn ₂ [Nm]	i	Pn ₁ [kW]	n ₂ [rpm]
51300	63,0	162	27,8
52800	68,4	154	25,6
54400	74,4	146	23,5
55000	81,2	135	21,6
55000	94,1	116	18,6
55000	109	101	16,1
45900	120	76,4	14,6
50100	131	76,4	13,4
55000	151	72,4	11,6
51900	188	54,9	9,30
52500	223	47,0	7,86
46200	273	33,7	6,42
46900	320	29,1	5,47

B4Z 249

Mn ₂ [Nm]	i	Pn ₁ [kW]	n ₂ [rpm]
24000	76,8	62,2	22,8
24000	89,1	53,6	19,6
24000	96,4	49,6	18,2
24000	116	41,3	15,1
24000	134	35,6	13,0
24000	146	32,8	12,0
19000	162	23,3	10,8
22800	195	23,3	9,00
24000	226	21,1	7,74
24000	245	19,5	7,14
22900	302	15,1	5,79
20400	349	11,6	5,01
19400	410	9,41	4,27

B4Z 279

Mn ₂ [Nm]	i	Pn ₁ [kW]	n ₂ [rpm]
36000	97,8	73,3	17,9
36000	106	67,6	16,5
36000	115	62,2	15,2
36000	139	51,7	12,6
36000	158	45,4	11,1
36000	170	42,1	10,3
32700	184	35,3	9,49
36000	222	32,3	7,88
36000	252	28,4	6,93
36000	272	26,3	6,42
36000	317	22,6	5,53
36000	362	19,8	4,84
32500	431	15,0	4,06

B4Z 349

Mn ₂ [Nm]	i	Pn ₁ [kW]	n ₂ [rpm]
66000	81,0	162	21,6
67900	87,9	154	19,9
69900	95,6	146	18,3
70000	104	134	16,8
70000	121	115	14,5
70000	140	99,6	12,5
59000	154	76,4	11,4
64400	168	76,4	10,4
70000	195	71,6	8,99
66700	242	54,9	7,23
67500	286	47,0	6,12
59400	351	33,7	4,99
60200	412	29,1	4,25

6.1 BZ GEAR REDUCER - 1750 rpm

B4Z 399

Mn ₂ [Nm]	i	Pn ₁ [kW]	n ₂ [rpm]
90000	70,5	254	24,8
90000	76,7	234	22,8
90000	82,8	217	21,1
90000	89,4	201	19,6
90000	105	170	16,6
90000	121	148	14,5
81800	123	132	14,2
88300	133	132	13,1
90000	144	125	12,2
90000	169	106	10,3
90000	194	92,3	9,01
85500	235	72,4	7,44
86500	275	62,6	6,36
87300	327	53,1	5,35

B4Z 409

Mn ₂ [Nm]	i	Pn ₁ [kW]	n ₂ [rpm]
110000	85,2	257	20,5
110000	92,8	236	18,9
110000	100	219	17,5
110000	108	203	16,2
110000	127	172	13,8
110000	146	150	12,0
99000	149	132	11,7
107000	161	132	10,9
110000	174	126	10,1
110000	205	107	8,55
110000	235	93,2	7,45
103000	285	72,4	6,15
105000	333	62,6	5,26
106000	396	53,1	4,42

B3Z 179

Mn ₂ [Nm]	i	Pn ₁ [kW]	n ₂ [rpm]
6060	13,3	71,2	105
6790	14,9	71,2	94,1
7670	16,8	71,2	83,4
9000	20,1	69,9	69,7
9000	21,8	64,4	64,3
9000	23,7	59,3	59,1
9000	28,5	49,2	49,1
9000	32,4	43,3	43,2
9000	35,0	40,1	40,0
6850	37,9	28,2	36,9
8250	45,6	28,2	30,7
9000	51,9	27,1	27,0
9000	56,0	25,1	25,0
8890	60,6	22,9	23,1
6680	64,0	16,3	21,9
7720	69,8	17,3	20,1

B3Z 219

Mn ₂ [Nm]	i	Pn ₁ [kW]	n ₂ [rpm]
11100	12,0	144	116
12300	14,0	138	100
13000	15,1	135	93,0
13700	16,3	131	85,9
14500	17,7	128	79,2
15300	19,2	124	72,8
16200	21,0	120	66,7
17800	24,3	114	57,5
14600	28,2	80,9	49,7
12100	30,9	61,0	45,2
13200	33,8	61,0	41,5
15300	39,1	61,0	35,8
17500	45,3	60,3	30,9
16200	49,6	50,9	28,2
15400	53,7	44,7	26,1
14500	58,4	38,7	24,0

B3Z 269

Mn ₂ [Nm]	i	Pn ₁ [kW]	n ₂ [rpm]
19500	12,3	246	113
22600	14,3	246	97,8
26400	16,8	246	83,6
28700	18,2	246	77,0
29000	19,8	229	70,7
29000	21,4	212	65,5
29000	23,1	196	60,7
29000	27,1	167	51,6
29000	31,2	145	44,9
23300	34,4	106	40,7
25100	37,1	106	37,7
29000	43,7	104	32,1
29000	50,1	90,2	27,9
27200	53,8	78,7	26,0
27500	58,2	73,5	24,1
23200	63,7	56,8	22,0

B3Z 199

Mn ₂ [Nm]	i	Pn ₁ [kW]	n ₂ [rpm]
7530	16,5	71,2	84,9
8430	18,5	71,2	75,8
9520	20,9	71,2	67,1
11000	25,0	68,8	56,1
11000	27,1	63,4	51,8
11000	29,4	58,3	47,6
11000	35,4	48,4	39,5
11000	40,3	42,6	34,8
11000	43,5	39,5	32,2
8500	47,1	28,2	29,7
10200	56,7	28,2	24,7
11000	64,4	26,6	21,7
11000	69,5	24,7	20,1
11000	75,3	22,8	18,6
8290	79,5	16,3	17,6
9580	86,6	17,2	16,2

B3Z 249

Mn ₂ [Nm]	i	Pn ₁ [kW]	n ₂ [rpm]
14100	15,3	144	91,7
15700	17,7	138	79,1
16500	19,1	135	73,3
17400	20,7	131	67,8
18400	22,4	128	62,5
19400	24,4	124	57,4
20500	26,6	120	52,6
22500	30,9	114	45,4
18700	35,7	81,7	39,2
15400	39,2	61,0	35,7
16800	42,8	61,0	32,7
19500	49,6	61,1	28,2
22200	57,4	60,2	24,4
20600	62,9	51,0	22,2
19500	68,1	44,6	20,6
18400	74,0	38,8	18,9

B3Z 279

Mn ₂ [Nm]	i	Pn ₁ [kW]	n ₂ [rpm]
24100	15,3	246	91,7
28000	17,7	246	79,0
32700	20,7	246	67,5
35500	22,5	246	62,2
36000	24,5	229	57,2
36000	26,4	212	53,0
36000	28,5	197	49,1
36000	33,6	167	41,7
36000	38,6	146	36,3
28800	42,5	106	32,9
31100	45,9	105	30,5
36000	54,0	104	25,9
36000	62,0	90,5	22,6
33600	66,6	78,7	21,0
34000	72,0	73,6	19,4
28700	78,8	56,7	17,8

B3Z 319

Mn ₂ [Nm]	i	Pn ₁ [kW]	n ₂ [rpm]
30400	12,1	390	115
35100	14,0	390	99,9
40800	16,3	390	85,9
46700	18,7	390	75,1
50700	20,3	390	69,0
55000	22,1	387	63,2
53300	25,5	326	55,0
53700	27,7	302	50,6
47800	29,7	251	47,1
48400	32,1	235	43,7
40700	38,8	164	36,1
44200	42,1	164	33,2
47500	45,3	164	30,9
48900	48,8	156	28,7
42900	55,3	121	25,3
42100	59,7	110	23,4

B3Z 399

Mn ₂ [Nm]	i	Pn ₁ [kW]	n ₂ [rpm]
54700	12,7	672	110
62600	14,5	673	96,4
72100	16,7	673	83,8
77600	18,0	673	77,9
82100	19,4	660	72,2
87000	21,0	647	66,8
90000	23,5	597	59,5
90000	25,3	554	55,2
89300	29,2	477	47,9
65900	33,7	305	41,5
73900	37,8	305	37,0
79600	40,8	305	34,3
90000	47,0	299	29,8
79500	53,0	234	26,4
80300	57,4	218	24,4
78200	62,3	196	22,5

B3Z 349

Mn ₂ [Nm]	i	Pn ₁ [kW]	n ₂ [rpm]
39100	15,6	390	89,7
45100	18,0	390	77,7
52400	20,9	390	66,9
60000	24,0	390	58,4
65200	26,1	390	53,7
70000	28,5	384	49,2
68600	32,8	326	42,7
69000	35,6	302	39,3
61500	38,2	251	36,6
62200	41,2	235	33,9
52300	49,8	164	28,1
56700	54,1	163	25,9
61000	58,2	163	24,1
62900	62,8	156	22,3
55200	71,1	121	19,7
54200	76,8	110	18,2

B3Z 409

Mn ₂ [Nm]	i	Pn ₁ [kW]	n ₂ [rpm]
66200	15,4	673	91,2
75800	17,6	673	79,7
87200	20,2	673	69,3
93800	21,8	673	64,4
99300	23,5	660	59,7
105000	25,4	647	55,2
110000	28,5	603	49,2
110000	30,7	560	45,7
108000	35,3	476	39,6
79700	40,8	305	34,3
89400	45,8	305	30,6
96300	49,3	305	28,4
110000	56,9	302	24,6
96200	64,1	234	21,8
97100	69,4	218	20,2
94600	75,4	196	18,6

B4Z 219

Mn ₂ [Nm]	i	Pn ₁ [kW]	n ₂ [rpm]
19000	60,6	50,0	23,1
19000	70,3	43,1	19,9
19000	76,0	39,8	18,4
19000	91,2	33,2	15,3
19000	106	28,6	13,2
19000	115	26,4	12,2
15000	128	18,7	11,0
18000	153	18,6	9,12
19000	178	17,0	7,85
19000	193	15,7	7,25
18100	238	12,1	5,88
16100	275	9,32	5,09
15300	323	7,55	4,33

B4Z 269

Mn ₂ [Nm]	i	Pn ₁ [kW]	n ₂ [rpm]
29000	79,0	58,5	17,7
29000	85,7	53,9	16,3
29000	93,1	49,6	15,0
29000	112	41,2	12,5
29000	128	36,2	11,0
29000	138	33,6	10,2
26400	149	28,2	9,39
29000	180	25,7	7,80
29000	204	22,6	6,86
29000	220	21,0	6,36
29000	256	18,1	5,47
29000	292	15,8	4,79
26300	348	12,0	4,02

B4Z 319

Mn ₂ [Nm]	i	Pn ₁ [kW]	n ₂ [rpm]
51300	63,0	130	22,2
52800	68,4	123	20,5
54400	74,4	116	18,8
55000	81,2	108	17,2
55000	94,1	93,2	14,9
55000	109	80,5	12,9
45900	120	61,1	11,7
50100	131	61,1	10,7
55000	151	57,9	9,25
51900	188	43,9	7,44
52500	223	37,6	6,29
46200	273	27,0	5,13
46900	320	23,3	4,37

B4Z 249

Mn ₂ [Nm]	i	Pn ₁ [kW]	n ₂ [rpm]
24000	76,8	49,8	18,2
24000	89,1	42,9	15,7
24000	96,4	39,7	14,5
24000	116	33,1	12,1
24000	134	28,5	10,4
24000	146	26,3	9,61
19000	162	18,7	8,64
22800	195	18,7	7,20
24000	226	16,9	6,19
24000	245	15,6	5,72
22900	302	12,1	4,63
20400	349	9,31	4,01
19400	410	7,53	3,42

B4Z 279

Mn ₂ [Nm]	i	Pn ₁ [kW]	n ₂ [rpm]
36000	97,8	58,7	14,3
36000	106	54,1	13,2
36000	115	49,8	12,1
36000	139	41,3	10,1
36000	158	36,4	8,87
36000	170	33,7	8,22
32700	184	28,2	7,59
36000	222	25,8	6,30
36000	252	22,7	5,55
36000	272	21,1	5,14
36000	317	18,1	4,42
36000	362	15,9	3,87
32500	431	12,0	3,25

B4Z 349

Mn ₂ [Nm]	i	Pn ₁ [kW]	n ₂ [rpm]
66000	81,0	130	17,3
67900	87,9	123	15,9
69900	95,6	116	14,6
70000	104	107	13,4
70000	121	92,2	11,6
70000	140	79,7	10,0
59000	154	61,1	9,10
64400	168	61,1	8,34
70000	195	57,3	7,19
66700	242	43,9	5,79
67500	286	37,6	4,89
59400	351	27,0	3,99
60200	412	23,3	3,40

B4Z 399

Mn ₂ [Nm]	i	Pn ₁ [kW]	n ₂ [rpm]
90000	70,5	204	19,9
90000	76,7	187	18,3
90000	82,8	173	16,9
90000	89,4	160	15,7
90000	105	136	13,3
90000	121	119	11,6
81800	123	106	11,3
88300	133	106	10,5
90000	144	99,8	9,74
90000	169	84,8	8,28
90000	194	73,8	7,21
85500	235	57,9	5,95
86500	275	50,0	5,09
87300	327	42,5	4,28

B4Z 409

Mn ₂ [Nm]	i	Pn ₁ [kW]	n ₂ [rpm]
110000	85,2	206	16,4
110000	92,8	189	15,1
110000	100	175	14,0
110000	108	162	13,0
110000	127	138	11,0
110000	146	120	9,58
99000	149	106	9,38
107000	161	106	8,69
110000	174	101	8,05
110000	205	85,6	6,84
110000	235	74,6	5,96
103000	285	57,9	4,92
105000	333	50,1	4,20
106000	396	42,5	3,54

B3Z 179

Mn ₂ [Nm]	i	Pn ₁ [kW]	n ₂ [rpm]
6060	13,3	57,9	85,8
6790	14,9	58,0	76,7
7670	16,8	58,0	67,9
9000	20,1	56,9	56,7
9000	21,8	52,5	52,3
9000	23,7	48,3	48,1
9000	28,5	40,1	40,0
9000	32,4	35,3	35,2
9000	35,0	32,7	32,6
6850	37,9	23,0	30,1
8250	45,6	23,0	25,0
9000	51,9	22,0	22,0
9000	56,0	20,4	20,4
8890	60,6	18,6	18,8
6680	64,0	13,2	17,8
7720	69,8	14,1	16,3

B3Z 219

Mn ₂ [Nm]	i	Pn ₁ [kW]	n ₂ [rpm]
11100	12,0	117	94,8
12300	14,0	112	81,7
13000	15,1	110	75,7
13700	16,3	107	69,9
14500	17,7	104	64,5
15300	19,2	101	59,3
16200	21,0	97,7	54,3
17800	24,3	92,6	46,9
14600	28,2	65,9	40,5
12100	30,9	49,7	36,8
13200	33,8	49,6	33,8
15300	39,1	49,6	29,1
17500	45,3	49,1	25,2
16200	49,6	41,4	23,0
15400	53,7	36,4	21,2
14500	58,4	31,5	19,5

B3Z 269

Mn ₂ [Nm]	i	Pn ₁ [kW]	n ₂ [rpm]
19500	12,3	200	92,4
22600	14,3	200	79,6
26400	16,8	200	68,1
28700	18,2	200	62,7
29000	19,8	186	57,6
29000	21,4	172	53,4
29000	23,1	160	49,4
29000	27,1	136	42,0
29000	31,2	118	36,6
23300	34,4	85,9	33,2
25100	37,1	85,9	30,7
29000	43,7	84,4	26,1
29000	50,1	73,5	22,7
27200	53,8	64,1	21,2
27500	58,2	59,9	19,6
23200	63,7	46,3	17,9

B3Z 199

Mn ₂ [Nm]	i	Pn ₁ [kW]	n ₂ [rpm]
7530	16,5	58,0	69,1
8430	18,5	58,0	61,7
9520	20,9	58,0	54,7
11000	25,0	56,0	45,7
11000	27,1	51,6	42,1
11000	29,4	47,5	38,8
11000	35,4	39,4	32,2
11000	40,3	34,7	28,3
11000	43,5	32,1	26,2
8500	47,1	22,9	24,2
10200	56,7	22,9	20,1
11000	64,4	21,7	17,7
11000	69,5	20,1	16,4
11000	75,3	18,6	15,1
8290	79,5	13,2	14,3
9580	86,6	14,0	13,2

B3Z 249

Mn ₂ [Nm]	i	Pn ₁ [kW]	n ₂ [rpm]
14100	15,3	117	74,7
15700	17,7	112	64,4
16500	19,1	110	59,7
17400	20,7	107	55,2
18400	22,4	104	50,9
19400	24,4	101	46,8
20500	26,6	97,8	42,8
22500	30,9	92,6	37,0
18700	35,7	66,6	32,0
15400	39,2	49,7	29,1
16800	42,8	49,7	26,6
19500	49,6	49,8	23,0
22200	57,4	49,0	19,9
20600	62,9	41,6	18,1
19500	68,1	36,4	16,7
18400	74,0	31,6	15,4

B3Z 279

Mn ₂ [Nm]	i	Pn ₁ [kW]	n ₂ [rpm]
24100	15,3	201	74,7
28000	17,7	200	64,3
32700	20,7	200	55,0
35500	22,5	200	50,7
36000	24,5	187	46,5
36000	26,4	173	43,1
36000	28,5	160	40,0
36000	33,6	136	33,9
36000	38,6	119	29,6
28800	42,5	86,0	26,8
31100	45,9	85,9	24,8
36000	54,0	84,6	21,1
36000	62,0	73,7	18,4
33600	66,6	64,1	17,1
34000	72,0	59,9	15,8
28700	78,8	46,2	14,5

B3Z 319

Mn ₂ [Nm]	i	Pn ₁ [kW]	n ₂ [rpm]
30400	12,1	317	93,9
35100	14,0	317	81,3
40800	16,3	318	70,0
46700	18,7	318	61,1
50700	20,3	317	56,2
55000	22,1	315	51,5
53300	25,5	266	44,8
53700	27,7	246	41,2
47800	29,7	204	38,3
48400	32,1	191	35,5
40700	38,8	133	29,4
44200	42,1	133	27,1
47500	45,3	133	25,2
48900	48,8	127	23,4
42900	55,3	98,6	20,6
42100	59,7	89,5	19,1

B3Z 399

Mn ₂ [Nm]	i	Pn ₁ [kW]	n ₂ [rpm]
54700	12,7	547	89,8
62600	14,5	548	78,5
72100	16,7	548	68,2
77600	18,0	548	63,4
82100	19,4	538	58,8
87000	21,0	527	54,4
90000	23,5	486	48,5
90000	25,3	451	45,0
89300	29,2	388	39,0
65900	33,7	248	33,8
73900	37,8	248	30,1
79600	40,8	248	28,0
90000	47,0	243	24,3
79500	53,0	190	21,5
80300	57,4	178	19,9
78200	62,3	159	18,3

B3Z 349

Mn ₂ [Nm]	i	Pn ₁ [kW]	n ₂ [rpm]
39100	15,6	318	73,0
45100	18,0	317	63,3
52400	20,9	317	54,4
60000	24,0	318	47,6
65200	26,1	317	43,7
70000	28,5	312	40,1
68600	32,8	266	34,8
69000	35,6	246	32,0
61500	38,2	204	29,8
62200	41,2	191	27,6
52300	49,8	133	22,9
56700	54,1	133	21,1
61000	58,2	133	19,6
62900	62,8	127	18,2
55200	71,1	98,6	16,0
54200	76,8	89,6	14,8

B3Z 409

Mn ₂ [Nm]	i	Pn ₁ [kW]	n ₂ [rpm]
66200	15,4	548	74,3
75800	17,6	548	64,9
87200	20,2	548	56,4
93800	21,8	548	52,4
99300	23,5	537	48,6
105000	25,4	527	44,9
110000	28,5	491	40,1
110000	30,7	456	37,2
108000	35,3	388	32,3
79700	40,8	248	27,9
89400	45,8	248	24,9
96300	49,3	248	23,1
110000	56,9	246	20,1
96200	64,1	190	17,8
97100	69,4	178	16,4
94600	75,4	159	15,1

B4Z 219

Mn ₂ [Nm]	i	Pn ₁ [kW]	n ₂ [rpm]
19000	60,6	40,7	18,8
19000	70,3	35,1	16,2
19000	76,0	32,4	15,0
19000	91,2	27,0	12,5
19000	106	23,3	10,8
19000	115	21,5	9,93
15000	128	15,2	8,92
18000	153	15,2	7,43
19000	178	13,8	6,39
19000	193	12,8	5,90
18100	238	9,83	4,78
16100	275	7,59	4,14
15300	323	6,15	3,53

B4Z 269

Mn ₂ [Nm]	i	Pn ₁ [kW]	n ₂ [rpm]
29000	79,0	47,6	14,4
29000	85,7	43,9	13,3
29000	93,1	40,4	12,2
29000	112	33,5	10,2
29000	128	29,5	8,94
29000	138	27,3	8,28
26400	149	23,0	7,65
29000	180	21,0	6,35
29000	204	18,4	5,59
29000	220	17,1	5,18
29000	256	14,7	4,45
29000	292	12,9	3,90
26300	348	9,77	3,27

B4Z 319

Mn ₂ [Nm]	i	Pn ₁ [kW]	n ₂ [rpm]
51300	63,0	106	18,1
52800	68,4	100	16,7
54400	74,4	94,8	15,3
55000	81,2	87,9	14,0
55000	94,1	75,9	12,1
55000	109	65,6	10,5
45900	120	49,8	9,53
50100	131	49,8	8,73
55000	151	47,2	7,53
51900	188	35,8	6,06
52500	223	30,6	5,12
46200	273	22,0	4,18
46900	320	19,0	3,56

B4Z 249

Mn ₂ [Nm]	i	Pn ₁ [kW]	n ₂ [rpm]
24000	76,8	40,5	14,8
24000	89,1	34,9	12,8
24000	96,4	32,3	11,8
24000	116	26,9	9,86
24000	134	23,2	8,48
24000	146	21,4	7,83
19000	162	15,2	7,03
22800	195	15,2	5,86
24000	226	13,8	5,04
24000	245	12,7	4,65
22900	302	9,84	3,77
20400	349	7,58	3,27
19400	410	6,13	2,78

B4Z 279

Mn ₂ [Nm]	i	Pn ₁ [kW]	n ₂ [rpm]
36000	97,8	47,8	11,7
36000	106	44,1	10,8
36000	115	40,5	9,89
36000	139	33,6	8,21
36000	158	29,6	7,23
36000	170	27,4	6,70
32700	184	23,0	6,18
36000	222	21,0	5,13
36000	252	18,5	4,52
36000	272	17,1	4,19
36000	317	14,7	3,60
36000	362	12,9	3,15
32500	431	9,77	2,64

B4Z 349

Mn ₂ [Nm]	i	Pn ₁ [kW]	n ₂ [rpm]
66000	81,0	106	14,1
67900	87,9	100	13,0
69900	95,6	94,9	11,9
70000	104	87,0	10,9
70000	121	75,1	9,42
70000	140	64,9	8,15
59000	154	49,8	7,41
64400	168	49,8	6,79
70000	195	46,7	5,86
66700	242	35,8	4,71
67500	286	30,6	3,98
59400	351	22,0	3,25
60200	412	19,0	2,77

6.3 BZ GEAR REDUCER - 1140 rpm

B4Z 399

Mn ₂ [Nm]	i	Pn ₁ [kW]	n ₂ [rpm]
90000	70,5	166	16,2
90000	76,7	152	14,9
90000	82,8	141	13,8
90000	89,4	131	12,8
90000	105	111	10,8
90000	121	96,7	9,44
81800	123	86,0	9,24
88300	133	86,0	8,56
90000	144	81,2	7,93
90000	169	69,0	6,74
90000	194	60,1	5,87
85500	235	47,2	4,85
86500	275	40,7	4,14
87300	327	34,6	3,49

B4Z 409

Mn ₂ [Nm]	i	Pn ₁ [kW]	n ₂ [rpm]
110000	85,2	167	13,4
110000	92,8	154	12,3
110000	100	143	11,4
110000	108	132	10,5
110000	127	112	8,96
110000	146	97,7	7,80
99000	149	86,0	7,64
107000	161	86,0	7,08
110000	174	82,1	6,56
110000	205	69,7	5,57
110000	235	60,7	4,85
103000	285	47,2	4,01
105000	333	40,8	3,42
106000	396	34,6	2,88

B3Z 179

Mn ₂ [Nm]	i	Pn ₁ [kW]	n ₂ [rpm]
6160	13,3	46,5	67,8
6900	14,9	46,5	60,5
7790	16,8	46,5	53,6
9000	20,1	44,9	44,8
9000	21,8	41,4	41,3
9000	23,7	38,1	38,0
9000	28,5	31,6	31,6
9000	32,4	27,8	27,8
9000	35,0	25,8	25,7
6950	37,9	18,4	23,8
8380	45,6	18,4	19,7
9000	51,9	17,4	17,4
9000	56,0	16,1	16,1
9000	60,6	14,9	14,8
6750	64,0	10,6	14,1
7880	69,8	11,3	12,9

B3Z 219

Mn ₂ [Nm]	i	Pn ₁ [kW]	n ₂ [rpm]
12300	12,0	102	74,8
14100	14,0	101	64,5
14800	15,1	98,5	59,8
15700	16,3	96,6	55,2
16600	17,7	93,8	50,9
17500	19,2	91,0	46,8
18500	21,0	88,1	42,9
19000	24,3	78,3	37,0
16700	28,2	59,5	32,0
12300	30,9	39,9	29,1
13400	33,8	39,8	26,7
15600	39,1	39,8	23,0
17800	45,3	39,4	19,9
16500	49,6	33,2	18,1
15700	53,7	29,2	16,8
14800	58,4	25,4	15,4

B3Z 269

Mn ₂ [Nm]	i	Pn ₁ [kW]	n ₂ [rpm]
19800	12,3	161	72,9
23000	14,3	161	62,8
26900	16,8	161	53,7
29000	18,2	160	49,5
29000	19,8	147	45,5
29000	21,4	136	42,1
29000	23,1	126	39,0
29000	27,1	107	33,2
29000	31,2	93,3	28,9
23600	34,4	68,9	26,2
25500	37,1	68,9	24,3
29000	43,7	66,6	20,6
29000	50,1	58,0	18,0
27500	53,8	51,1	16,7
27800	58,2	47,8	15,5
23600	63,7	37,2	14,1

B3Z 199

Mn ₂ [Nm]	i	Pn ₁ [kW]	n ₂ [rpm]
7650	16,5	46,5	54,6
8570	18,5	46,5	48,7
9680	20,9	46,5	43,2
11000	25,0	44,2	36,1
11000	27,1	40,8	33,3
11000	29,4	37,5	30,6
11000	35,4	31,1	25,4
11000	40,3	27,4	22,4
11000	43,5	25,4	20,7
8640	47,1	18,4	19,1
10400	56,7	18,4	15,9
11000	64,4	17,1	14,0
11000	69,5	15,9	12,9
11000	75,3	14,6	12,0
8390	79,5	10,6	11,3
9780	86,6	11,3	10,4

B3Z 249

Mn ₂ [Nm]	i	Pn ₁ [kW]	n ₂ [rpm]
15600	15,3	102	59,0
17900	17,7	101	50,9
18900	19,1	98,9	47,1
19900	20,7	96,3	43,6
21000	22,4	93,9	40,2
22200	24,4	91,1	36,9
23400	26,6	88,2	33,8
24000	30,9	78,0	29,2
21400	35,7	60,0	25,2
15600	39,2	39,9	22,9
17000	42,8	39,8	21,0
19700	49,6	39,8	18,1
22600	57,4	39,4	15,7
20900	62,9	33,3	14,3
19900	68,1	29,2	13,2
18800	74,0	25,4	12,2

B3Z 279

Mn ₂ [Nm]	i	Pn ₁ [kW]	n ₂ [rpm]
24500	15,3	161	59,0
28500	17,7	161	50,8
33300	20,7	161	43,4
36000	22,5	160	40,0
36000	24,5	147	36,7
36000	26,4	137	34,1
36000	28,5	127	31,5
36000	33,6	107	26,8
36000	38,6	93,6	23,3
29200	42,5	68,8	21,2
31600	45,9	68,9	19,6
36000	54,0	66,8	16,7
36000	62,0	58,2	14,5
34000	66,6	51,1	13,5
34400	72,0	47,8	12,5
29200	78,8	37,2	11,4

B3Z 319

Mn ₂ [Nm]	i	Pn ₁ [kW]	n ₂ [rpm]
31000	12,1	256	74,1
35800	14,0	256	64,2
41600	16,3	256	55,2
47600	18,7	256	48,3
51800	20,3	256	44,4
55000	22,1	249	40,7
54000	25,5	213	35,3
54300	27,7	197	32,5
48400	29,7	163	30,3
48900	32,1	153	28,1
41400	38,8	107	23,2
44900	42,1	107	21,4
48300	45,3	107	19,9
49400	48,8	101	18,4
43400	55,3	78,6	16,3
42800	59,7	71,8	15,1

B3Z 399

Mn ₂ [Nm]	i	Pn ₁ [kW]	n ₂ [rpm]
56500	12,7	446	70,9
64700	14,5	446	62,0
74400	16,7	447	53,9
80100	18,0	447	50,1
86400	19,4	447	46,4
90000	21,0	430	42,9
90000	23,5	384	38,3
90000	25,3	356	35,5
90000	29,2	309	30,8
66900	33,7	199	26,7
75100	37,8	199	23,8
80900	40,8	199	22,1
90000	47,0	192	19,1
80400	53,0	152	17,0
81200	57,4	142	15,7
79500	62,3	128	14,4

B3Z 349

Mn ₂ [Nm]	i	Pn ₁ [kW]	n ₂ [rpm]
39800	15,6	256	57,7
46000	18,0	256	49,9
53400	20,9	256	43,0
61200	24,0	256	37,5
66500	26,1	256	34,5
70000	28,5	247	31,6
69500	32,8	213	27,5
69900	35,6	197	25,3
62200	38,2	163	23,5
62900	41,2	153	21,8
53200	49,8	107	18,1
57800	54,1	107	16,6
62100	58,2	107	15,5
63500	62,8	101	14,3
55700	71,1	78,6	12,7
55000	76,8	71,8	11,7

B3Z 409

Mn ₂ [Nm]	i	Pn ₁ [kW]	n ₂ [rpm]
68400	15,4	446	58,6
78200	17,6	447	51,3
90000	20,2	447	44,5
96900	21,8	447	41,4
104000	23,5	446	38,4
110000	25,4	435	35,5
110000	28,5	388	31,6
110000	30,7	360	29,4
110000	35,3	312	25,5
81000	40,8	199	22,1
90800	45,8	199	19,7
97800	49,3	199	18,3
110000	56,9	194	15,8
97200	64,1	152	14,0
98200	69,4	142	13,0
96100	75,4	128	11,9

B4Z 219

Mn ₂ [Nm]	i	Pn ₁ [kW]	n ₂ [rpm]
19000	60,6	32,1	14,9
19000	70,3	27,7	12,8
19000	76,0	25,6	11,8
19000	91,2	21,3	9,87
19000	106	18,4	8,49
19000	115	16,9	7,84
15200	128	12,2	7,04
18300	153	12,2	5,87
19000	178	10,9	5,05
19000	193	10,1	4,66
18500	238	7,93	3,78
16400	275	6,10	3,27
15700	323	4,98	2,79

B4Z 269

Mn ₂ [Nm]	i	Pn ₁ [kW]	n ₂ [rpm]
29000	79,0	37,6	11,4
29000	85,7	34,7	10,5
29000	93,1	31,9	9,66
29000	112	26,5	8,02
29000	128	23,3	7,06
29000	138	21,6	6,54
26800	149	18,4	6,04
29000	180	16,5	5,01
29000	204	14,6	4,41
29000	220	13,5	4,09
29000	256	11,6	3,52
29000	292	10,2	3,08
26800	348	7,88	2,58

B4Z 319

Mn ₂ [Nm]	i	Pn ₁ [kW]	n ₂ [rpm]
55000	63,0	89,4	14,3
55000	68,4	82,4	13,2
55000	74,4	75,8	12,1
55000	81,2	69,4	11,1
55000	94,1	59,9	9,57
55000	109	51,8	8,27
46600	120	39,9	7,52
50800	131	39,9	6,89
55000	151	37,2	5,95
52400	188	28,5	4,78
53000	223	24,4	4,04
46600	273	17,5	3,30
47300	320	15,1	2,81

B4Z 249

Mn ₂ [Nm]	i	Pn ₁ [kW]	n ₂ [rpm]
24000	76,8	32,0	11,7
24000	89,1	27,6	10,1
24000	96,4	25,5	9,34
24000	116	21,3	7,78
24000	134	18,3	6,70
24000	146	16,9	6,18
19300	162	12,2	5,55
23200	195	12,2	4,63
24000	226	10,9	3,98
24000	245	10,0	3,67
23400	302	7,93	2,98
20800	349	6,10	2,58
19800	410	4,96	2,20

B4Z 279

Mn ₂ [Nm]	i	Pn ₁ [kW]	n ₂ [rpm]
36000	97,8	37,7	9,20
36000	106	34,8	8,49
36000	115	32,0	7,81
36000	139	26,6	6,48
36000	158	23,4	5,70
36000	170	21,7	5,29
33200	184	18,4	4,88
36000	222	16,6	4,05
36000	252	14,6	3,57
36000	272	13,5	3,30
36000	317	11,6	2,84
36000	362	10,2	2,49
33200	431	7,88	2,09

B4Z 349

Mn ₂ [Nm]	i	Pn ₁ [kW]	n ₂ [rpm]
70000	81,0	88,5	11,1
70000	87,9	81,6	10,2
70000	95,6	75,0	9,41
70000	104	68,7	8,62
70000	121	59,3	7,44
70000	140	51,2	6,43
59900	154	39,9	5,85
65400	168	39,9	5,36
70000	195	36,8	4,62
67300	242	28,5	3,72
68200	286	24,4	3,15
59900	351	17,5	2,57
60800	412	15,1	2,19

B4Z 399

Mn ₂ [Nm]	i	Pn ₁ [kW]	n ₂ [rpm]
90000	70,5	131	12,8
90000	76,7	120	11,7
90000	82,8	111	10,9
90000	89,4	103	10,1
90000	105	87,7	8,56
90000	121	76,3	7,45
83100	123	69,0	7,30
89700	133	69,0	6,76
90000	144	64,1	6,26
90000	169	54,5	5,32
90000	194	47,5	4,63
86300	235	37,6	3,83
87300	275	32,5	3,27
88400	327	27,7	2,75

B4Z 409

Mn ₂ [Nm]	i	Pn ₁ [kW]	n ₂ [rpm]
110000	85,2	132	10,6
110000	92,8	121	9,70
110000	100	113	8,99
110000	108	104	8,33
110000	127	88,6	7,07
110000	146	77,1	6,16
101000	149	69,0	6,03
108000	161	69,0	5,59
110000	174	64,8	5,18
110000	205	55,1	4,40
110000	235	48,0	3,83
104000	285	37,6	3,16
106000	333	32,5	2,70
107000	396	27,7	2,27

B3Z 179

Mn ₂ [Nm]	i	Pn ₁ [kW]	n ₂ [rpm]
6200	13,3	36,4	52,7
6940	14,9	36,4	47,1
7840	16,8	36,4	41,7
9000	20,1	34,9	34,8
9000	21,8	32,2	32,1
9000	23,7	29,6	29,6
9000	28,5	24,6	24,5
9000	32,4	21,6	21,6
9000	35,0	20,1	20,0
6990	37,9	14,4	18,5
8420	45,6	14,4	15,3
9000	51,9	13,5	13,5
9000	56,0	12,5	12,5
9000	60,6	11,6	11,5
6790	64,0	8,27	10,9
7960	69,8	8,90	10,0

B3Z 219

Mn ₂ [Nm]	i	Pn ₁ [kW]	n ₂ [rpm]
12400	12,0	80,1	58,2
14400	14,0	80,2	50,2
15500	15,1	80,3	46,5
16600	16,3	79,2	42,9
17500	17,7	77,0	39,6
18500	19,2	74,8	36,4
19000	21,0	70,6	33,3
19000	24,3	60,9	28,8
17600	28,2	48,6	24,9
12400	30,9	31,3	22,6
13500	33,8	31,2	20,7
15700	39,1	31,2	17,9
17900	45,3	30,8	15,5
16600	49,6	26,1	14,1
15800	53,7	22,9	13,0
14900	58,4	19,9	12,0

B3Z 269

Mn ₂ [Nm]	i	Pn ₁ [kW]	n ₂ [rpm]
20000	12,3	126	56,7
23200	14,3	126	48,9
27100	16,8	126	41,8
29000	18,2	124	38,5
29000	19,8	114	35,4
29000	21,4	106	32,8
29000	23,1	98,1	30,4
29000	27,1	83,3	25,8
29000	31,2	72,6	22,5
23800	34,4	53,9	20,4
25700	37,1	53,9	18,9
29000	43,7	51,8	16,0
29000	50,1	45,1	14,0
27600	53,8	39,9	13,0
27900	58,2	37,4	12,0
23800	63,7	29,1	11,0

B3Z 199

Mn ₂ [Nm]	i	Pn ₁ [kW]	n ₂ [rpm]
7700	16,5	36,4	42,4
8620	18,5	36,4	37,9
9740	20,9	36,4	33,6
11000	25,0	34,4	28,1
11000	27,1	31,7	25,9
11000	29,4	29,2	23,8
11000	35,4	24,2	19,8
11000	40,3	21,3	17,4
11000	43,5	19,7	16,1
8680	47,1	14,4	14,9
10500	56,7	14,4	12,4
11000	64,4	13,3	10,9
11000	69,5	12,3	10,1
11000	75,3	11,4	9,30
8430	79,5	8,27	8,80
9880	86,6	8,89	8,08

B3Z 249

Mn ₂ [Nm]	i	Pn ₁ [kW]	n ₂ [rpm]
15700	15,3	80,2	45,9
18200	17,7	80,0	39,6
19600	19,1	80,0	36,6
21000	20,7	79,1	33,9
22200	22,4	77,1	31,2
23400	24,4	74,8	28,7
24000	26,6	70,3	26,3
24000	30,9	60,7	22,7
22300	35,7	48,6	19,6
15700	39,2	31,2	17,8
17100	42,8	31,1	16,4
19900	49,6	31,2	14,1
22700	57,4	30,8	12,2
21100	62,9	26,1	11,1
20000	68,1	22,9	10,3
18900	74,0	19,9	9,46

B3Z 279

Mn ₂ [Nm]	i	Pn ₁ [kW]	n ₂ [rpm]
24700	15,3	126	45,9
28700	17,7	126	39,5
33500	20,7	126	33,8
36000	22,5	125	31,1
36000	24,5	115	28,6
36000	26,4	106	26,5
36000	28,5	98,4	24,5
36000	33,6	83,6	20,8
36000	38,6	72,8	18,2
29400	42,5	53,9	16,5
31700	45,9	53,9	15,3
36000	54,0	52,0	13,0
36000	62,0	45,3	11,3
34200	66,6	40,0	10,5
34500	72,0	37,3	9,72
29500	78,8	29,2	8,89

B3Z 319

Mn ₂ [Nm]	i	Pn ₁ [kW]	n ₂ [rpm]
31200	12,1	200	57,7
36000	14,0	200	49,9
41900	16,3	200	43,0
47900	18,7	200	37,5
52100	20,3	200	34,5
55000	22,1	194	31,6
54300	25,5	166	27,5
54700	27,7	154	25,3
48600	29,7	127	23,5
49100	32,1	119	21,8
41600	38,8	83,7	18,1
45200	42,1	83,7	16,6
48600	45,3	83,7	15,5
49600	48,8	79,2	14,3
43500	55,3	61,4	12,7
43100	59,7	56,2	11,7

B3Z 399

Mn ₂ [Nm]	i	Pn ₁ [kW]	n ₂ [rpm]
57100	12,7	351	55,2
65300	14,5	351	48,2
75200	16,7	351	41,9
80900	18,0	351	38,9
87300	19,4	351	36,1
90000	21,0	335	33,4
90000	23,5	298	29,8
90000	25,3	277	27,6
90000	29,2	240	24,0
67300	33,7	156	20,7
75500	37,8	156	18,5
81300	40,8	156	17,2
90000	47,0	149	14,9
80700	53,0	119	13,2
81500	57,4	111	12,2
80000	62,3	100	11,2

B3Z 349

Mn ₂ [Nm]	i	Pn ₁ [kW]	n ₂ [rpm]
40100	15,6	200	44,8
46300	18,0	200	38,8
53800	20,9	200	33,4
61600	24,0	200	29,2
67000	26,1	200	26,8
70000	28,5	192	24,6
69800	32,8	166	21,4
70000	35,6	153	19,7
62500	38,2	127	18,3
63200	41,2	119	17,0
53500	49,8	83,7	14,0
58100	54,1	83,7	12,9
62500	58,2	83,7	12,0
63800	62,8	79,2	11,2
56000	71,1	61,4	9,85
55400	76,8	56,3	9,12

B3Z 409

Mn ₂ [Nm]	i	Pn ₁ [kW]	n ₂ [rpm]
69100	15,4	351	45,6
79000	17,6	351	39,9
91000	20,2	351	34,6
97900	21,8	351	32,2
106000	23,5	351	29,8
110000	25,4	338	27,6
110000	28,5	301	24,6
110000	30,7	280	22,8
110000	35,3	243	19,8
81400	40,8	156	17,2
91300	45,8	156	15,3
98400	49,3	156	14,2
110000	56,9	151	12,3
97700	64,1	119	10,9
98600	69,4	111	10,1
96800	75,4	100	9,29

B4Z 219

Mn ₂ [Nm]	i	Pn ₁ [kW]	n ₂ [rpm]
19000	60,6	25,0	11,6
19000	70,3	21,5	9,96
19000	76,0	19,9	9,21
19000	91,2	16,6	7,67
19000	106	14,3	6,60
19000	115	13,2	6,09
15400	128	9,57	5,48
18400	153	9,55	4,56
19000	178	8,49	3,93
19000	193	7,84	3,62
18600	238	6,22	2,94
16900	275	4,89	2,54
15700	323	3,87	2,17

B4Z 269

Mn ₂ [Nm]	i	Pn ₁ [kW]	n ₂ [rpm]
29000	79,0	29,2	8,86
29000	85,7	27,0	8,17
29000	93,1	24,8	7,52
29000	112	20,6	6,24
29000	128	18,1	5,49
29000	138	16,8	5,09
27000	149	14,4	4,70
29000	180	12,9	3,90
29000	204	11,3	3,43
29000	220	10,5	3,18
29000	256	9,03	2,73
29000	292	7,90	2,39
27100	348	6,18	2,01

B4Z 319

Mn ₂ [Nm]	i	Pn ₁ [kW]	n ₂ [rpm]
55000	63,0	69,5	11,1
55000	68,4	64,1	10,2
55000	74,4	58,9	9,41
55000	81,2	54,0	8,62
55000	94,1	46,6	7,44
55000	109	40,3	6,43
46900	120	31,2	5,85
51200	131	31,2	5,36
55000	151	29,0	4,63
52600	188	22,2	3,72
53200	223	19,0	3,15
46800	273	13,7	2,57
47500	320	11,8	2,19

B4Z 249

Mn ₂ [Nm]	i	Pn ₁ [kW]	n ₂ [rpm]
24000	76,8	24,9	9,11
24000	89,1	21,5	7,85
24000	96,4	19,8	7,26
24000	116	16,5	6,05
24000	134	14,2	5,21
24000	146	13,1	4,81
19500	162	9,56	4,32
23400	195	9,56	3,60
24000	226	8,46	3,10
24000	245	7,81	2,86
23600	302	6,22	2,32
21400	349	4,88	2,01
19900	410	3,87	1,71

B4Z 279

Mn ₂ [Nm]	i	Pn ₁ [kW]	n ₂ [rpm]
36000	97,8	29,3	7,16
36000	106	27,1	6,60
36000	115	24,9	6,07
36000	139	20,7	5,04
36000	158	18,2	4,44
36000	170	16,8	4,11
33400	184	14,4	3,80
36000	222	12,9	3,15
36000	252	11,4	2,77
36000	272	10,5	2,57
36000	317	9,06	2,21
36000	362	7,93	1,93
33500	431	6,19	1,62

B4Z 349

Mn ₂ [Nm]	i	Pn ₁ [kW]	n ₂ [rpm]
70000	81,0	68,8	8,64
70000	87,9	63,4	7,96
70000	95,6	58,3	7,32
70000	104	53,4	6,71
70000	121	46,1	5,79
70000	140	39,9	5,00
60300	154	31,2	4,55
65800	168	31,2	4,17
70000	195	28,7	3,60
67600	242	22,3	2,89
68400	286	19,0	2,45
60100	351	13,7	2,00
61000	412	11,8	1,70

B4Z 399

Mn ₂ [Nm]	i	Pn ₁ [kW]	n ₂ [rpm]
90000	70,5	102	9,93
90000	76,7	93,5	9,13
90000	82,8	86,6	8,46
90000	89,4	80,2	7,83
90000	105	68,2	6,66
90000	121	59,4	5,80
83500	123	53,9	5,67
90000	133	53,9	5,26
90000	144	49,9	4,87
90000	169	42,4	4,14
90000	194	36,9	3,60
86700	235	29,3	2,98
87600	275	25,4	2,54
88700	327	21,6	2,14

B4Z 409

Mn ₂ [Nm]	i	Pn ₁ [kW]	n ₂ [rpm]
110000	85,2	103	8,21
110000	92,8	94,5	7,55
110000	100	87,5	6,99
110000	108	81,1	6,48
110000	127	68,9	5,50
110000	146	60,0	4,79
101000	149	53,9	4,69
109000	161	53,9	4,35
110000	174	50,4	4,03
110000	205	42,8	3,42
110000	235	37,3	2,98
105000	285	29,4	2,46
106000	333	25,3	2,10
107000	396	21,6	1,77

B3Z 179

Mn ₂ [Nm]	i	Pn ₁ [kW]	n ₂ [rpm]
6290	13,3	26,4	37,7
7040	14,9	26,4	33,6
7950	16,8	26,4	29,8
9000	20,1	25,0	24,9
9000	21,8	23,0	23,0
9000	23,7	21,2	21,1
9000	28,5	17,6	17,5
9000	32,4	15,5	15,4
9000	35,0	14,3	14,3
7100	37,9	10,4	13,2
8550	45,6	10,4	11,0
9000	51,9	9,66	9,64
9000	56,0	8,96	8,93
9000	60,6	8,27	8,25
6880	64,0	5,98	7,81
8180	69,8	6,53	7,17

B3Z 219

Mn ₂ [Nm]	i	Pn ₁ [kW]	n ₂ [rpm]
12600	12,0	58,1	41,6
14600	14,0	58,1	35,8
15700	15,1	58,1	33,2
17000	16,3	58,1	30,7
18500	17,7	58,1	28,3
19000	19,2	55,0	26,0
19000	21,0	50,4	23,8
19000	24,3	43,5	20,6
18000	28,2	35,5	17,8
12600	30,9	22,6	16,2
13700	33,8	22,6	14,8
15900	39,1	22,6	12,8
18300	45,3	22,5	11,0
17000	49,6	19,1	10,1
16200	53,7	16,7	9,31
15200	58,4	14,5	8,56

B3Z 269

Mn ₂ [Nm]	i	Pn ₁ [kW]	n ₂ [rpm]
20300	12,3	91,4	40,5
23500	14,3	91,4	34,9
27500	16,8	91,4	29,9
29000	18,2	88,8	27,5
29000	19,8	81,6	25,3
29000	21,4	75,6	23,4
29000	23,1	70,0	21,7
29000	27,1	59,5	18,4
29000	31,2	51,8	16,0
24100	34,4	39,1	14,6
26000	37,1	39,0	13,5
29000	43,7	37,0	11,5
29000	50,1	32,2	9,97
28000	53,8	28,9	9,29
28300	58,2	27,0	8,59
24400	63,7	21,3	7,85

B3Z 199

Mn ₂ [Nm]	i	Pn ₁ [kW]	n ₂ [rpm]
7810	16,5	26,4	30,3
8750	18,5	26,4	27,1
9870	20,9	26,4	24,0
11000	25,0	24,6	20,0
11000	27,1	22,6	18,5
11000	29,4	20,8	17,0
11000	35,4	17,3	14,1
11000	40,3	15,2	12,4
11000	43,5	14,1	11,5
8810	47,1	10,4	10,6
10600	56,7	10,4	8,82
11000	64,4	9,51	7,76
11000	69,5	8,81	7,19
11000	75,3	8,14	6,64
8550	79,5	5,99	6,29
10200	86,6	6,53	5,77

B3Z 249

Mn ₂ [Nm]	i	Pn ₁ [kW]	n ₂ [rpm]
15900	15,3	58,0	32,8
18500	17,7	58,1	28,3
19900	19,1	58,0	26,2
21600	20,7	58,1	24,2
23400	22,4	58,2	22,3
24000	24,4	54,8	20,5
24000	26,6	50,2	18,8
24000	30,9	43,3	16,2
22800	35,7	35,5	14,0
15900	39,2	22,6	12,7
17400	42,8	22,6	11,7
20200	49,6	22,6	10,1
23200	57,4	22,5	8,71
21600	62,9	19,1	7,94
20500	68,1	16,7	7,34
19300	74,0	14,5	6,76

B3Z 279

Mn ₂ [Nm]	i	Pn ₁ [kW]	n ₂ [rpm]
25100	15,3	91,6	32,8
29100	17,7	91,5	28,2
34100	20,7	91,5	24,1
36000	22,5	89,1	22,2
36000	24,5	81,9	20,4
36000	26,4	75,9	18,9
36000	28,5	70,3	17,5
36000	33,6	59,7	14,9
36000	38,6	52,0	13,0
29800	42,5	39,0	11,8
32200	45,9	39,1	10,9
36000	54,0	37,1	9,26
36000	62,0	32,3	8,06
34600	66,6	28,9	7,51
35000	72,0	27,0	6,94
30200	78,8	21,4	6,35

B3Z 319

Mn ₂ [Nm]	i	Pn ₁ [kW]	n ₂ [rpm]
31700	12,1	145	41,2
36600	14,0	145	35,7
42600	16,3	145	30,7
48700	18,7	145	26,8
53000	20,3	146	24,7
55000	22,1	138	22,6
55000	25,5	120	19,6
55000	27,7	111	18,1
49200	29,7	92,1	16,8
49700	32,1	86,3	15,6
42200	38,8	60,6	12,9
45900	42,1	60,6	11,9
49300	45,3	60,7	11,0
50100	48,8	57,2	10,2
44000	55,3	44,3	9,05
44000	59,7	41,0	8,37

B3Z 399

Mn ₂ [Nm]	i	Pn ₁ [kW]	n ₂ [rpm]
58500	12,7	257	39,4
66900	14,5	257	34,4
77000	16,7	257	29,9
82900	18,0	257	27,8
89400	19,4	257	25,8
90000	21,0	239	23,8
90000	23,5	213	21,3
90000	25,3	198	19,7
90000	29,2	172	17,1
68300	33,7	113	14,8
76600	37,8	113	13,2
82600	40,8	113	12,3
90000	47,0	107	10,6
81700	53,0	85,8	9,43
82400	57,4	80,1	8,72
81700	62,3	73,0	8,03

B3Z 349

Mn ₂ [Nm]	i	Pn ₁ [kW]	n ₂ [rpm]
40800	15,6	146	32,0
47100	18,0	146	27,7
54700	20,9	145	23,9
62600	24,0	145	20,9
68100	26,1	145	19,2
70000	28,5	137	17,6
70000	32,8	119	15,3
70000	35,6	110	14,1
63300	38,2	92,1	13,1
63900	41,2	86,3	12,1
54300	49,8	60,7	10,0
59000	54,1	60,6	9,24
63400	58,2	60,6	8,59
64500	62,8	57,2	7,97
56600	71,1	44,3	7,04
56600	76,8	41,0	6,51

B3Z 409

Mn ₂ [Nm]	i	Pn ₁ [kW]	n ₂ [rpm]
70700	15,4	257	32,6
80900	17,6	257	28,5
93200	20,2	257	24,7
100000	21,8	257	23,0
108000	23,5	257	21,3
110000	25,4	241	19,7
110000	28,5	215	17,6
110000	30,7	200	16,3
110000	35,3	173	14,1
82700	40,8	113	12,3
92700	45,8	113	10,9
99900	49,3	113	10,1
110000	56,9	108	8,80
98800	64,1	85,8	7,80
99700	69,4	80,1	7,21
98800	75,4	73,0	6,63

B4Z 219

Mn ₂ [Nm]	i	Pn ₁ [kW]	n ₂ [rpm]
19000	60,6	17,9	8,25
19000	70,3	15,4	7,11
19000	76,0	14,2	6,58
19000	91,2	11,9	5,48
19000	106	10,2	4,72
19000	115	9,41	4,35
15600	128	6,94	3,91
18700	153	6,94	3,26
19000	178	6,06	2,80
19000	193	5,60	2,59
18900	238	4,51	2,10
17100	275	3,53	1,82
15900	323	2,80	1,55

B4Z 269

Mn ₂ [Nm]	i	Pn ₁ [kW]	n ₂ [rpm]
29000	79,0	20,9	6,33
29000	85,7	19,3	5,84
29000	93,1	17,7	5,37
29000	112	14,7	4,46
29000	128	12,9	3,92
29000	138	12,0	3,63
27400	149	10,4	3,36
29000	180	9,19	2,79
29000	204	8,09	2,45
29000	220	7,50	2,27
29000	256	6,45	1,95
29000	292	5,64	1,71
28100	348	4,58	1,43

B4Z 319

Mn ₂ [Nm]	i	Pn ₁ [kW]	n ₂ [rpm]
55000	63,0	49,7	7,93
55000	68,4	45,8	7,31
55000	74,4	42,1	6,72
55000	81,2	38,6	6,16
55000	94,1	33,3	5,31
55000	109	28,8	4,59
47600	120	22,6	4,18
51900	131	22,6	3,83
55000	151	20,7	3,30
53100	188	16,1	2,66
53700	223	13,7	2,25
47300	273	9,86	1,83
48000	320	8,52	1,56

B4Z 249

Mn ₂ [Nm]	i	Pn ₁ [kW]	n ₂ [rpm]
24000	76,8	17,8	6,51
24000	89,1	15,3	5,61
24000	96,4	14,2	5,19
24000	116	11,8	4,32
24000	134	10,2	3,72
24000	146	9,38	3,43
19800	162	6,93	3,08
23700	195	6,93	2,57
24000	226	6,04	2,21
24000	245	5,58	2,04
24000	302	4,52	1,66
21600	349	3,53	1,43
20100	410	2,79	1,22

B4Z 279

Mn ₂ [Nm]	i	Pn ₁ [kW]	n ₂ [rpm]
36000	97,8	21,0	5,11
36000	106	19,3	4,72
36000	115	17,8	4,34
36000	139	14,8	3,60
36000	158	13,0	3,17
36000	170	12,0	2,94
33900	184	10,4	2,71
36000	222	9,22	2,25
36000	252	8,12	1,98
36000	272	7,52	1,84
36000	317	6,47	1,58
36000	362	5,66	1,38
34700	431	4,58	1,16

B4Z 349

Mn ₂ [Nm]	i	Pn ₁ [kW]	n ₂ [rpm]
70000	81,0	49,2	6,17
70000	87,9	45,3	5,69
70000	95,6	41,7	5,23
70000	104	38,2	4,79
70000	121	32,9	4,13
70000	140	28,5	3,57
61200	154	22,6	3,25
66800	168	22,6	2,98
70000	195	20,5	2,57
68300	242	16,1	2,07
69100	286	13,7	1,75
60800	351	9,86	1,43
61700	412	8,52	1,21

B4Z 399

Mn ₂ [Nm]	i	Pn ₁ [kW]	n ₂ [rpm]
90000	70,5	72,7	7,10
90000	76,7	66,8	6,52
90000	82,8	61,9	6,04
90000	89,4	57,3	5,60
90000	105	48,7	4,75
90000	121	42,4	4,14
84700	123	39,1	4,05
90000	133	38,5	3,76
90000	144	35,6	3,48
90000	169	30,3	2,96
90000	194	26,4	2,57
87600	235	21,2	2,13
88500	275	18,3	1,82
89600	327	15,6	1,53

B4Z 409

Mn ₂ [Nm]	i	Pn ₁ [kW]	n ₂ [rpm]
110000	85,2	73,4	5,87
110000	92,8	67,5	5,39
110000	100	62,5	4,99
110000	108	57,9	4,63
110000	127	49,2	3,93
110000	146	42,9	3,42
103000	149	39,1	3,35
110000	161	38,9	3,10
110000	174	36,0	2,88
110000	205	30,6	2,44
110000	235	26,6	2,13
106000	285	21,2	1,76
107000	333	18,3	1,50
108000	396	15,6	1,26

Pay special attention to the installation conditions as these are the principal cause of damage and downtime. When choosing the motor, consider the mounting position and presence, below the motor itself, of parts, things or materials which may be damaged by oil leaks, however limited in amount. The unit can only be mounted in the mounting position indicated on the nameplate: a different mounting position must be authorized by MOTOVARIO.

Unless expressly requested, gear reducers are supplied dry, and it is the customer's responsibility to top up with oil up to the correct level. This should be done with the unit in the selected mounting position (using a filter with 25 µm grain) paying attention not to damage the seal when refitting it (or when smearing it with fresh sealing compound). If necessary, top up with oil of the same type up to correct level (see table LUBRICANTS RECOMMENDED BY MOTOVARIO). In case of unavailability, please contact MOTOVARIO TECHNICAL SERVICE. For possible use of different oil (after checking with the MOTOVARIO TECHNICAL SERVICE), replace completely and, in case of synthetic oil, only after washing the inside of the gear reducer. If you are using pressure-fed lubrication, fill the oil circuit and check oil level after gear reducer has been running for a short period. If there is an oil leak, find the cause before restoring the lubricant level. Do not dump the lubricant in the environment, adopt all the necessary environmental safety measures, dispose of the lubricant in compliance with the current regulations.

Before the commissioning of the unit, carry out the following operations:

- Check the nameplate data of the unit and/or electric motor;
- Make sure the equipment supplied corresponds to the equipment ordered;
- Fixing to the structure of the machine must be stable, vibration-free. The structure shall not be subject to torsional movements, must ensure a continuity of transmission of any electrical and electrostatic discharges. Otherwise provide a grounding system, via a cable securely attached to the mounting areas, making sure to remove any paint in the contact area and using conductors of adequate cross section;
- For fixing use the fixing screws of minimum 8.8 quality and be careful not to buckle the casings due to improper fixing, making sure that the support surface is coplanar to the fixing surface;
- Do not install the unit in mounting positions other than those stated in the order, since different positions provide different positions of the loading, unloading and oil level plugs, in addition to a different amount of lubricant;
- Check the position of the level plug. If the casing is provided with a hole with closed plug symmetric with respect to the level plug itself, if necessary, for level visibility, reverse their positions. Check the accessibility to oil loading/unloading plugs.
- Check the correct quantity of oil, according to the mounting position required. If the oil level of the unit is restored, do it according to the plug diagram and use oil of the same type indicated on the label.
- Replace, if any, the closing plug with the vent plug provided in the supplied kit, in the suitable mounting position indicated in the relevant drawings.
- Check for any leakage of lubricant;
- Eliminate, if possible, any traces of dirt from the shafts and from the areas around the sealing rings;
- Lubricate the contact surfaces to prevent oxidation or seizure;
- Check the static seals and the bolted joints;
- Do not install the unit in an environment with fumes or abrasive and/or corrosive dust;
- Install all the protections designed for the rotary organs so as to ensure the system safety according to the current rules;
- Check the correct rotation direction of the output shaft of the unit;
- In case of shaft mounting configuration it is recommended to use the torque arms that can be supplied by MOTOVARIO, specially designed;
- Ensure proper cooling of the motor through a good flow of air from the fan side;
- Avoid solar radiation or other heat sources, the cooling air temperature must never exceed 40 °C;
- Check that the assembly of the various parts (pulleys, sprockets, couplings, etc.) on shafts is performed by using the proper threaded holes or any other systems able to ensure a correct operation without risking damage to the bearings or the outer parts of the units.

For the operating fields with temperatures below 0 °C, please consider the following:

- Be sure to avoid shock loading as cast-iron may become brittle at temperatures below -15 °C.
- Right after start-up, the oil will be thick and this may lead to lubrication issues; dry-run the unit for several minutes.

If the temperature is lower than -30 °C or higher than 60 °C use special mixture seal rings.

Change the oil as specified in table OIL CHANGE INTERVAL; first bring gear reducer to a surface temperature lower than 40 °C (this will make it easier to drain oil, when you take all necessary precautions to avoid scalding).

- Locate the loading and unloading caps (the loading cap can match the vent cap or the dipstick); place a container of suitable capacity under the gear reducer at the unloading cap;
- Unscrew the loading and unloading caps paying attention to progressively reduce any internal overpressure;
- Completely drain the oil and collect it in the underlying container;
- Replace the seal of the unloading cap and tighten it again by applying the appropriate tightening torque (see table "OIL CAPS TIGHTENING TORQUE");
- Fill the gear reducer with new oil until the level reaches the centre line of the indicator cap or the top notch on the dipstick;
- Replace the seal of the loading cap and tighten it again by applying the appropriate tightening torque (see table "OIL

CAPS TIGHTENING TORQUE”);

- After about 30 minutes check the correctness of the level (if necessary, provide to its restoration) and any oil leaks. Clean the surface of the gear reducer with materials that do not generate electrostatic discharges;
- Dispose of used oil in accordance with current regulations.

Table OIL CHANGE INTERVAL

Oil type	Oil temperature [°C]		
	< 65°	80°	95°
Mineral oil	8000 h	4000 h	2000 h
Synthetic oil	25000 h	18000 h	12500 h

Table of OIL PLUGS TIGHTENING TORQUE with aluminum gasket and hexagonal wrench

Plug	Torque [Nm]
GAS 3/8"	30
GAS 1/2"	60
GAS 3/4"	70
GAS 1"	70

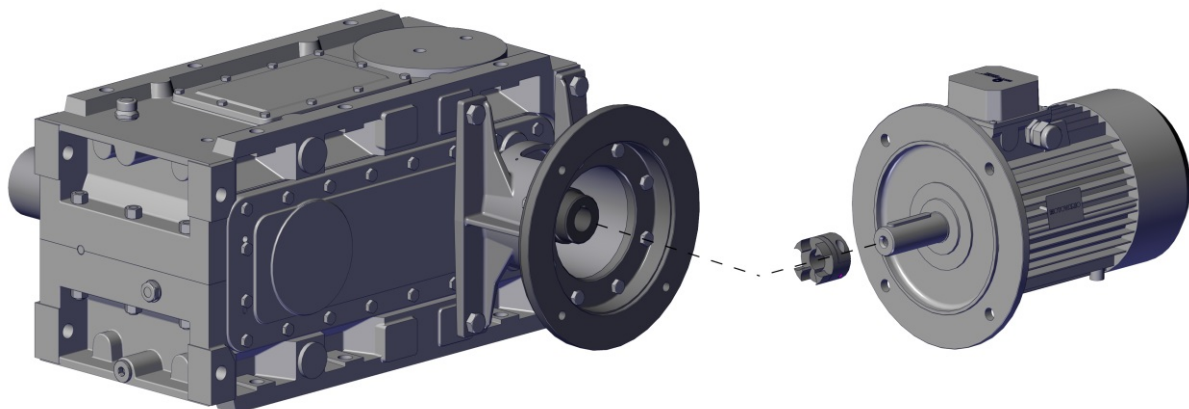
Table of OIL PLUGS TIGHTENING TORQUE with aluminum gasket and allen key

Plug	Torque [Nm]
GAS 3/8"	20
GAS 1/2"	30
GAS 3/4"	40
GAS 1"	50

Plug	PZ - BZ
GAS 3/8"	179 - 199
GAS 3/4"	219 - 249 - 269 - 279
GAS 1" - GAS 3/4"	319 - 349 - 399 - 409

Assembling motor on PAM flange

If the unit is supplied without motor, it is necessary to follow these recommendation to ensure the correct assembly of the electric motor. Check that the tolerances for the motor shaft and flange correspond to the "standard". Carefully clean the shaft, spigot and surfaces of the flange removing traces of paint and dirt, and confirm the key is fitted correctly. Fit the hal coupling to the motor shaft (see picture) taking care to ensure the motor shaft and bearings are not damaged by avoiding excessive force and where necessary using assembly equipment. Place the couplings elastic element onto the motor half coupling and position the motor up to the gear reducer ensuring the coupling element is aligned with the driven half coupling. Complete the assembly using the fixing bolts. Key-ways with tightened tolerances.



8.1.1 Symbols

Physical dimension	Symbol	Symbol units of measure	Input	Output
Power	P	[kW]	P ₁	P ₂
Requested power	Pr	[kW]	Pr ₁	Pr ₂
Nominal power	Pn	[kW]	Pn ₁	Pn ₂
Nominal thermal power	Pth	[kW]	/	/
Torque	M	[Nm]	M ₁	M ₂
Nominal torque	Mn	[Nm]	/	Mn ₂
Peak torque	M _{max}	[Nm]	/	M _{2max}
Requested torque	Mr	[Nm]	Mr ₁	Mr ₂
Speed	n	[rpm]	n ₁	n ₂
Load	F	[N]	/	/
Radial load	Fr	[N]	Fr ₁	Fr ₂
Axial load	Fa	[N]	Fa ₁	Fa ₂
Reduction ratio	i	[]	/	/
Nominal Reduction ratio	i _n	[]	/	/
Efficiency	η	[]	/	/
Service factor	f _s	[]	/	/
Correction service factor to account for type of load and daily operating hours	f _{sa}	[]	/	/
Correction service factor to account for number of starts per hours	f _{sb}	[]	/	/
Correction service factor to account for type of motor	f _{sc}	[]	/	/
Correction thermal factor to account for ambient temperature and run-to-rest ratio	f _{ta}	[]	/	/
Correction thermal factor to account for cooling systems	f _{tb}	[]	/	/
Correction factor to account for ambient and operating temperature	f _{tc}	[]	/	/
Correction factor to account for airflow speed around gear reducer	f _{tv}	[]	/	/
Correction factor to account for input speed n1	f _{tn}	[]	/	/
Correction thermal factor to account for cooling coil	f _{ts}	[]	/	/
Additional thermal capacity Water/Oil and Air/Oil	Pta	[kW]	/	/
Correction factor to account for mounting position	Fmp	[]	/	/
Static	s	[]	/	/
Dynamic	d	[]	/	/
Calculated	c	[]	/	/
Maximum	max	[]	/	/
Minimum	min	[]	/	/
Moment of inertia	J	[kgm ²]	J ₁	J ₂
Ambient temperature	T _{amb}	[°C]	/	/
Surface temperature of gear reducer	T _s	[°C]	/	/
Oil temperature	T _o	[°C]	/	/
Dimension		[mm]	/	/

8.1.2 Formulas

GEAR REDUCER		
Starting or stopping time	$t = v / a$	[s]
Velocity in rotary motion	$v = \pi * d * n / 60$ $v = \omega * r$	[m/s]
Speed velocity Angular velocity	$n = 60 * v / (\pi * d)$ $\omega = v / r$	[rpm] [rad/s]
Acceleration or deceleration	$a = v / t$	[m/s ²]
Angular acceleration	$\alpha = n / (9,55 * t)$ $\alpha = \omega / t$	[rad/s ²]
Starting or stopping distance (according to acceleration)	$s = a * t^2 / 2$	[m]
Horizontal translation force	$F = \mu * m * g$	[N]
Vertical translation force (lifting)	$F = m * g$	
Inclined plane translation force	$F = m * g (\mu * \cos\beta + \sin\beta)$	
m= mass [kg]; g= gravitational acceleration [m/s ²]; μ = friction coefficient; β = angle of inclination		
Moment of inertia	$J = m * v^2 / \omega^2$	[kgm ²]
Torque	$M = F * d / 2$ $M = J * \omega / t$	[Nm]

MOTOR and GEARMOTOR		
Starting time	$t_a = (J_{ext} + J_m) * n_n / 9,55 + (M_{peak} - M_r)$	[s]
Braking time	$t_s = (J_{ext} + J_m) * n_n / 9,55 + (M_{peak} + M_r)$	[s]
Motor rotation angle during starting	$\varphi = n_n * t_a / 19,1$	[rad]
Motor rotation angle during braking	$\varphi = n_n * t_s / 19,1$	[rad]
Power available at the shaft of single phase motor	$P = V * I * \eta * \cos\omega$	[W]
Power available at the shaft of three phase motor	$P = 1,73 * V * I * \eta * \cos\omega$	[W]

RUNNING at 60Hz		
Speed velocity at 60Hz	$n_{60Hz} = 1,2 * n_{50Hz}$	[rpm]
Power at 60Hz	$P_{1\ 60Hz} = P_{1\ 50Hz} * V_{60Hz} / V_{50Hz}$	[kW]
If input voltage at 60 Hz (V_{60Hz}) corresponds to winding voltage at 50 Hz (V_{50Hz}), power doesn't change i.e. $P_{1\ 60Hz} = P_{1\ 50Hz}$		
If input voltage at 60 Hz (V_{60Hz}) is 20% higher than winding voltage at 50 Hz (V_{50Hz}), power increases by 20% i.e. $P_{1\ 60Hz} = 1,2 P_{1\ 50Hz}$		
Torque at 60Hz	$M_{60Hz} = M_{50Hz} * P_{1\ 60Hz} / (1,2 * P_{1\ 50Hz})$	[Nm]
Service factor at 60Hz	$f.s_{60Hz} = f.s_{50Hz} * 1,175 * P_{1\ 50Hz} / P_{1\ 60Hz}$	-

ATTENTION!

The revised data and information, shown in this technical catalogue, replaces the data of the previous editions. Old data is now obsolete. All technical data, dimensions, weights in this catalogue are subject to changes without warning. Illustrations are not binding. You can find the above mentioned data and information on our site www.motovario.com; please periodically consult the technical documentation on the web site to be always updated about possible modifications of performances and characteristics of the product.

All supplies effected by MOTOVARIO are governed exclusively by the general terms of sale that you can find on our website:

<http://www.motovario.com/eng/corporate/sales-conditions>

